

YAMADA



NDP-32 Serie



www.yamada-europe.com

Have you ever wanted to switch out your old pump for a Yamada, but faced re-piping issues? With the new **NDP-32 Serie** Pump from Yamada, your problems are solved. This new 1-1/2" inlet X 1-1/4" outlet matches up dimensionally with that old competing brands design. Now your conversion to Yamada is just much easier.

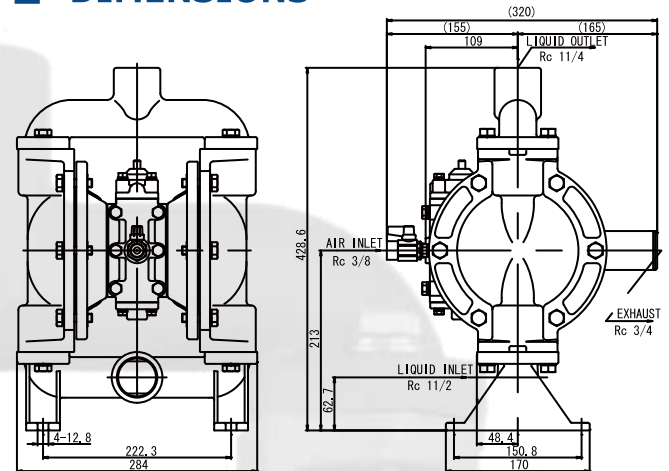
FEATURES

- Inlet 40A/Outlet 32A
- Upward discharge port and horizontal inlet port
- Easy to connect to upward discharge pipe
- Explosion proof, self priming and no mechanical seals

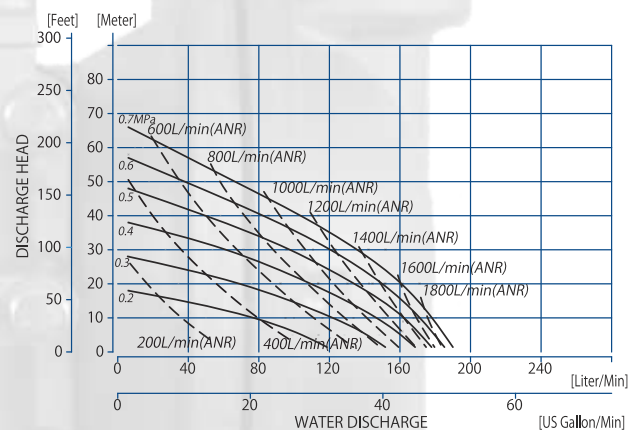
SPECIFICATIONS

Type	NDP-32 BAN	
Fluid Connection	Suction Port	Rc 1-1/2
	Discharge Port	Rc 1-1/4
Air Connection	Supply Port	Rc 3/8
	Exhaust Port	Rc 3/4
Operating Air Pressure	2~7 Bar	
Maximum Discharge Pressure	7 Bar	
Discharge Volume/cycle	670 mL	
Maximum Discharge Volume	190 L/min	
Maximum Air Consumption	2.000 L/min (ANR)	
Slurry Limitation	4,8 mm or less	
Limitation of Viscosity	Negative suction: 3.000 cP	
	Positive suction: 8.000 cP	
Operating Ambient Temperature Range	Temp.	0~70 °C
	Fluid Temp.	0~82 °C
A-weighted emission sound pressure level	81 dB	
A-weighted sound power level	95 dB	
Weight	12,0 kg	

DIMENSIONS



PERFORMANCE CURVE



Yamada Europe B.V.
 Aquamarijnstraat 50
 7554 NS Hengelo
 The Netherlands

Phone : +31 (0)74-24 220 32
 Fax : +31 (0)74-24 210 55
 Email : sales@yamada-europe.com



Yamada Distributor

