

EXPLODED VIEW & PARTS LISTING

Model : DP-10BA.

Yamada Europe B.V.



Air Operated Double Diaphragm pump

Material: Aluminium (ADC12)



DP PUMPS REQUIRE A FRL UNIT TO LUBRICATE THE COMPRESSED AIR



To Purchase:

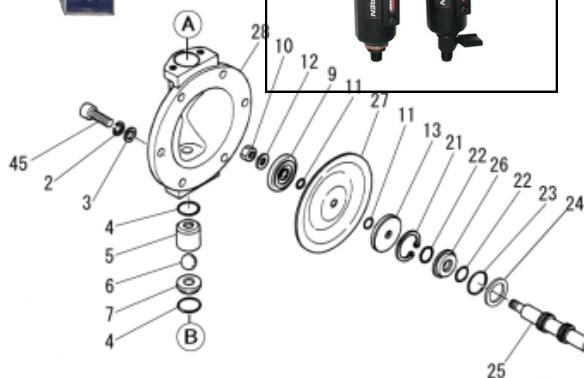
☎ 0031 (0)74 242 2032

✉ sales@yamada.nl

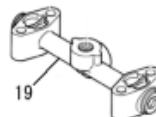
More information:

▶ YouTube: [@yamadapump](https://www.youtube.com/@yamadapump)

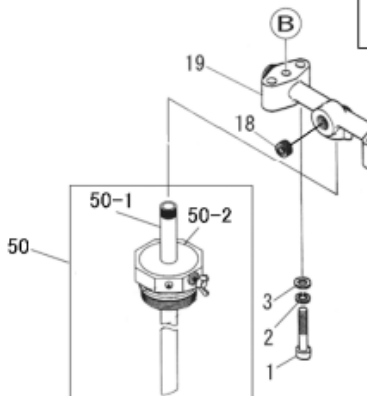
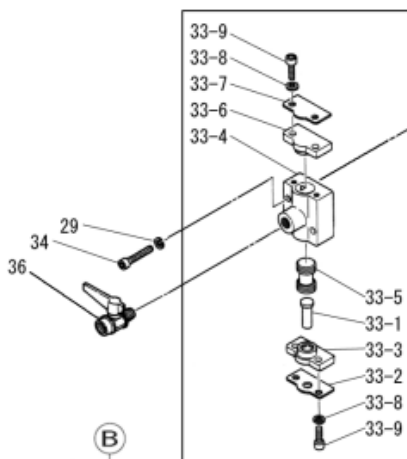
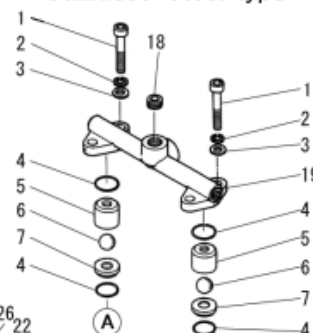
🌐 yamada-europe.com



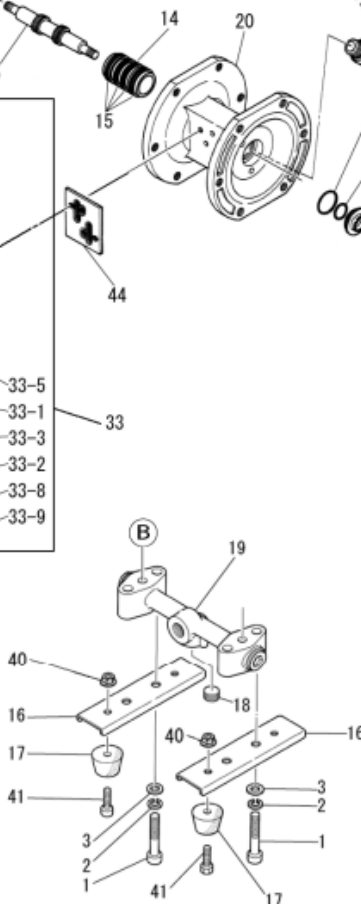
Aluminum type



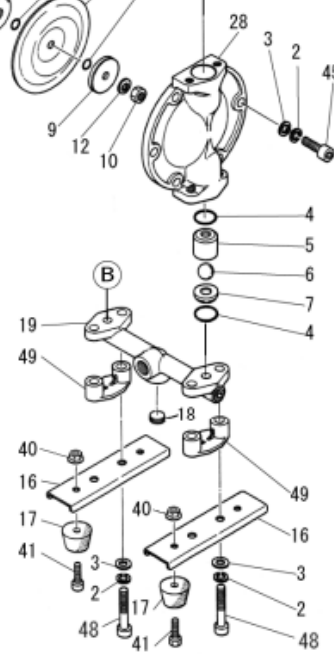
Stainless-steel type



Drum type



Aluminum type



Stainless-steel type



Tighting torque for:

Center rod: 14Nm
 Out chambers: 12Nm
 Manifolds: 12Nm

Special tools (sold seperately)

None

Miscellaneous:

Assembly oil: use turbine oil none additional class 1
 Equiv. to ISO VGA32 grade
 Use Urea grease grade NLGI No. 2

EXPLODED VIEW & PARTS LISTING

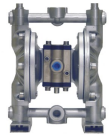
Air Operated Double Diaphragm pump

Model : DP-10BA.

Yamada Europe B.V.



Material: Aluminium (ADC12)



DIAPHRAGM

Design #

REF. No.	DESCRIPTION	Q'TY.	CR	NBR	EPDM	HYTREL	SANTOPRENE	PTFE	PTFE-EPDM
			BAC	BAN	BAE	BAH	BAS	BAT	BATU
			851743	851742	YE Original	851750	852674	851945	YE Original
Part No.	Part No.	Part No.	Part No.	Part No.	Part No.	Part No.	Part No.	Part No.	
1	BOLT	8	681295	681295	681295	681295	681295	681295	681295
2	SPRING WASHER	20	681300	681300	681300	681300	681300	681300	681300
3	PLAIN WASHER	20	631329	631329	631329	631329	631329	631329	631329
4	O RING	4	643018	643018	684112	643018	643018	643018	643018
5	BALL GUIDE	4	771368	771368	771368	771368	771368	771368	771368
6	BALL	4	770970	770972	771978	773124	773168	770931	770931
7	VALVE SEAT	4	710638	710638	710638	710638	710638	710638	710638
8	O RING	4	643017	643017	684112	643017	643017	643017	643017
9	CENTER DISK	2	708770	708770	708770	708770	708770	708770	—
10	NUT	2	681849	681849	681849	681849	681849	681849	—
11	O RING	4	640005	640005	643005	—	—	643005	—
12	CONED DISC SPRING	2	684916	684916	684916	684916	684916	684916	—
13	CENTER DISK	2	709512	709512	709512	709512	709512	709512	020109
14	SLEEVE	1	714678	714678	714678	714678	714678	714678	714678
15	O RING	4	684900	684900	684900	684900	684900	684900	684900
16	BASE	2	717184	717184	717184	717184	717184	717184	717184
17	RUBBER FOOT	4	771123	771123	771123	771123	771123	771123	771123
18	PLUG	2	682279	682279	682279	682279	682279	682279	682279
19	MANIFOLD ASSY	2	802559	802559	802559	802559	802559	802559	802559
20	BODY	1	715106	715106	715106	715106	715106	715106	715106
21	RETAINING RING	2	630807	630807	630807	630807	630807	630807	630807
22	PACKING	4	684284	684284	684284	684284	684284	684284	684284
23	O RING	2	640131	640131	640131	640131	640131	640131	640131
24	SPACER	1	772651	772651	772651	772651	772651	772651	772651
25	CENTER ROD ASSY	1	801785	801785	801785	801785	801785	801785	801785
26	GUIDE BUSHING	2	772619	772619	772619	772619	772619	772619	772619
27	DIAPHRAGM	2	770971	770973	771848	771372	771972	770933	833027
28	OUT CHAMBER	2	710572	710572	710572	710572	710572	710572	710572
29	SPRING WASHER	2	681855	681855	681855	681855	681855	681855	681855
33	VALVE BODY ASSY	1	804504	804504	804504	804504	804504	804504	804504
33- 1	RESET BUTTON	1	706798	706798	706798	706798	706798	706798	706798
33- 2	PLATE A	1	710587	710587	710587	710587	710587	710587	710587
33- 3	SPOOL END COVER	1	771357	771357	771357	771357	771357	771357	771357
33- 4	SPOOL CASE	1	710574	710574	710574	710574	710574	710574	710574
33- 5	SPOOL ASSY	1	801404	801404	801404	801404	801404	801404	801404
33- 6	SPOOL COVER	1	771356	771356	771356	771356	771356	771356	771356
33- 7	PLATE B	1	710636	710636	710636	710636	710636	710636	710636
33- 8	SPRING WASHER	4	681855	681855	681855	681855	681855	681855	681855
33- 9	BOLT	4	682943	682943	682943	682943	682943	682943	682943
34	BOLT	2	682918	682918	682918	682918	682918	682918	682918
36	VALVE	1	686825	686825	686825	686825	686825	686825	686825
40	FLANGED NUT	4	682817	682817	682817	682817	682817	682817	—
41	BOLT	4	611101	611101	611101	611101	611101	611101	611101
44	GASKET	1	771358	771358	771358	771358	771358	771358	771358
45	BOLT	12	682944	682944	682944	682944	682944	682944	682944
46	MUFFLER	1	681293	681293	681293	681293	681293	681293	681293
KIT	DIAPHRAGM		K10D-AC	K10D-AN	K10D-ME	K10D-AH	K10D-AS	K10D-MT	K10D-MTU
KIT	VALVE		K10V-AC	K10V-AN	K10V-AE	K10V-AH	K10V-AS	K10V-AT	K10V-AT
KIT	WET END REPAIR		K10-AC	K10-AN	K10-AE	K10-AH	K10-AS	K10-AT	K10-ATU
KIT	AIR MOTOR								K10-AM
KIT	AIR MOTOR SEAL								K10-AMS

EXPLODED VIEW & PARTS LISTING

Air Operated Double Diaphragm pump



MODEL : DP-10BA.

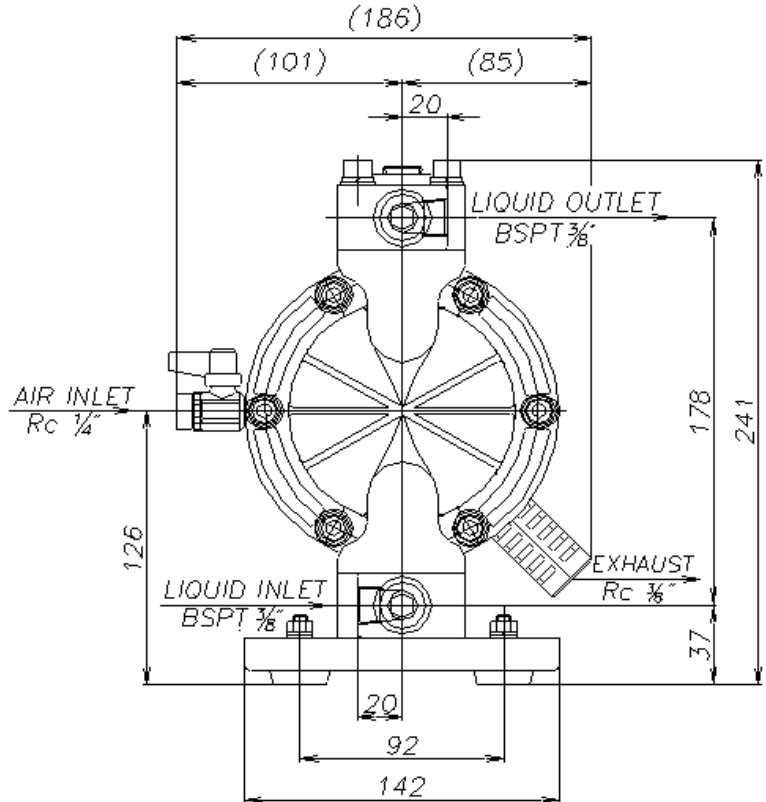
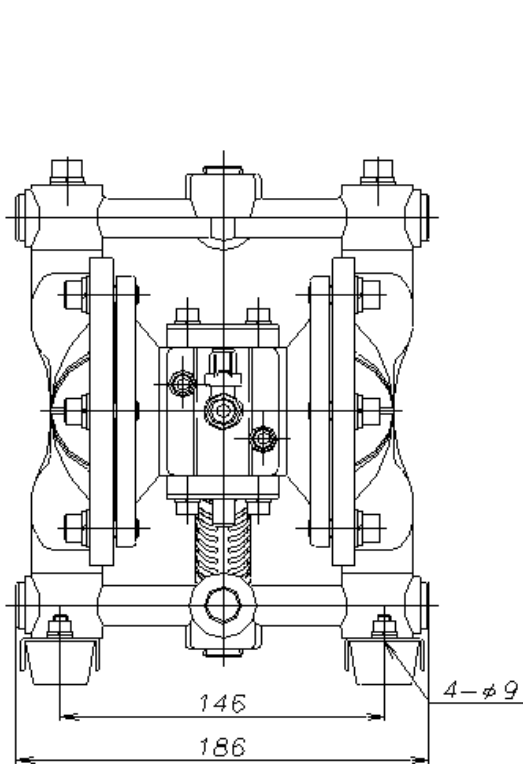
Model : DP-10BA.

Yamada Europe B.V.



Material: Aluminium (ADC12)

Diaphragm options	CR, NBR, EPDM, TPEE, TPO,	PTFE	TU
Max performance	22 L/min	17 L/min	17 L/min
Manifold connection	BSPT 3/8"		
Net Weight	3,6 kg		



0,1MPa = 1Bar

