

EXPLODED VIEW & PARTS LISTING

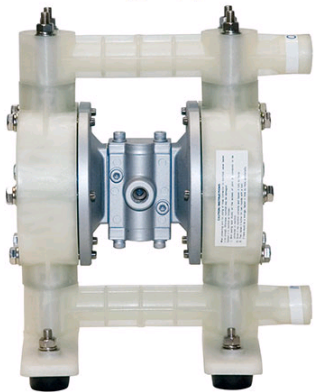
Air Operated Double Diaphragm pump

Model : DP-15BP.

Yamada Europe B.V.



Material: PPG (Reinforced Polypropylene)



DP PUMPS REQUIRE A FRL UNIT TO LUBRICATE THE COMPRESSED AIR

FRL-1A



To Purchase:

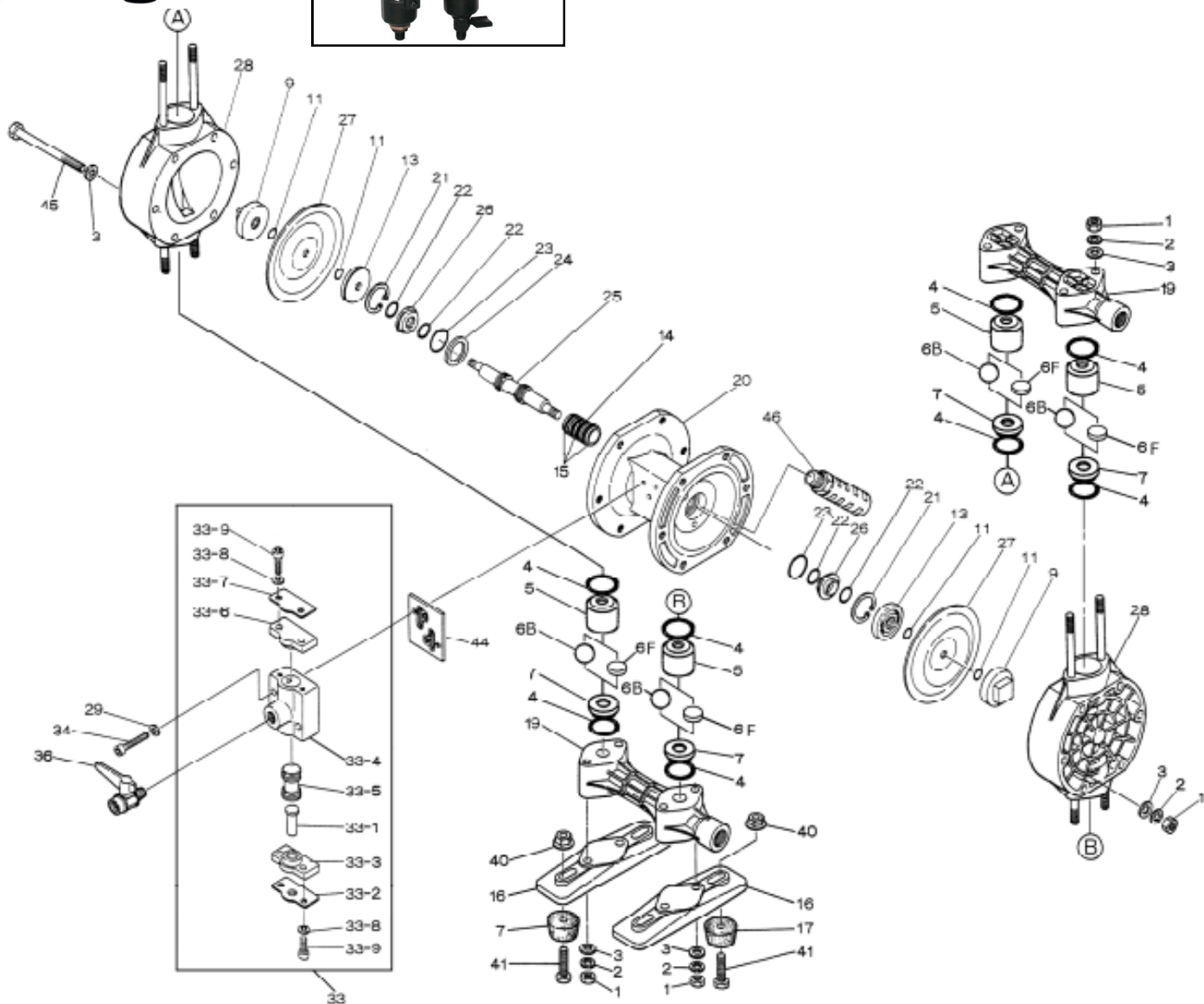
☎ 0031 (0)74 242 2032

✉ sales@yamada.nl

More information:

▶ YouTube: [@yamadapump](https://www.youtube.com/@yamadapump)

🌐 yamada-europe.com



Tighting torque for:

Center rod: 14Nm
 Out chambers: 12Nm
 Manifolds: 12Nm

Special tools (sold seperately)

None

Miscellaneous:

Assembly oil: use turbine oil none additional class 1
 Equiv. to ISO VGA32 grade
 Use Urea grease grade NLGI No. 2

EXPLODED VIEW & PARTS LISTING

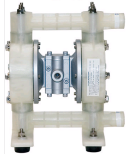
Air Operated Double Diaphragm pump

Model : DP-15BP.

Yamada Europe B.V.



Material: PPG (Reinforced Polypropylene)



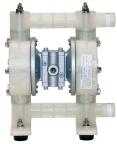
DIAPHRAGM

Design #

	NBR	EPDM	HYTREL	SANTOPRENE	PTFE		
	BPN	BPE	BPH	BPS	BPT		
	852280	YE Original	851752	852676	851744		
REF. No.	DESCRIPTION	Q'TY.	Part No.	Part No.	Part No.	Part No.	Part No.
1	NUT	8	687229	687229	687229	687229	687229
2	SPRING WASHER	20	681300	681300	681300	681300	681300
3	PLAIN WASHER	20	631329	631329	631329	631329	631329
4	O RING	8	640027	684115	640027	684115	643027
5	BALL GUIDE	4	771806	771806	771806	771806	771806
6B	BALL	4	771525	771979	773125	773169	771524
7	VALVE SEAT	4	780162	780162	780162	780162	780162
9	CENTER DISK	2	770968	770968	770968	770968	770968
11	O RING	4	640005	643005	—	—	643005
13	CENTER DISK	2	708770	708770	708770	708770	708770
14	SLEEVE	1	714678	714678	714678	714678	714678
15	O RING	4	684900	684900	684900	684900	684900
16	BASE	2	771352	771352	771352	771352	771352
17	RUBBER FOOT	4	770551	770551	770551	770551	770551
19	MANIFOLD	2	780271	780271	780271	780271	780271
20	BODY	1	715106	715106	715106	715106	715106
21	RETAINING RING	2	630807	630807	630807	630807	630807
22	PACKING	4	684284	684284	684284	684284	684284
23	O RING	2	640131	640131	640131	640131	640131
24	SPACER	1	772651	772651	772651	772651	772651
25	CENTER ROD ASSY	1	801785	801785	801785	801785	801785
26	GUIDE BUSHING	2	772619	772619	772619	772619	772619
27	DIAPHRAGM	2	770973	771848	771372	771972	770933
28	OUT CHAMBER	2	780119	780119	780119	780119	780119
29	SPRING WASHER	2	681855	681855	681855	681855	681855
33	VALVE BODY ASSY	1	804504	804504	804504	804504	804504
33- 1	RESET BUTTON	1	706798	706798	706798	706798	706798
33- 2	PLATE A	1	710587	710587	710587	710587	710587
33- 3	SPOOL END COVER	1	771357	771357	771357	771357	771357
33- 4	SPOOL CASE	1	710574	710574	710574	710574	710574
33- 5	SPOOL ASSY	1	801404	801404	801404	801404	801404
33- 6	SPOOL COVER	1	771356	771356	771356	771356	771356
33- 7	PLATE B	1	710636	710636	710636	710636	710636
33- 8	SPRING WASHER	4	681855	681855	681855	681855	681855
33- 9	BOLT	4	682943	682943	682943	682943	682943
34	BOLT	2	682918	682918	682918	682918	682918
36	VALVE	1	686825	686825	686825	686825	686825
40	FLANGED NUT	4	682276	682276	682276	682276	682276
41	BOLT	4	611152	611152	611152	611152	611152
44	GASKET	1	771358	771358	771358	771358	771358
45	BOLT	12	621160	621160	621160	621160	621160
46	MUFFLER	1	681293	681293	681293	681293	681293
KIT	DIAPHRAGM		K115D-PN	K115D-PE	K115D-PH	K115D-PS	K115D-PT
KIT	VALVE		K15V-BPN	K15V-BPE	K15V-BPH	K15V-BPS	K15V-BPT
KIT	WET END REPAIR		K15-PN-B	K15-PE-B	K15-PH-B	K15-PS-B	K15-PT-B
KIT	AIR MOTOR		K10-AM				
KIT	AIR MOTOR SEAL		K10-AMS				

EXPLODED VIEW & PARTS LISTING

Air Operated Double Diaphragm pump



MODEL : DP-15BP.

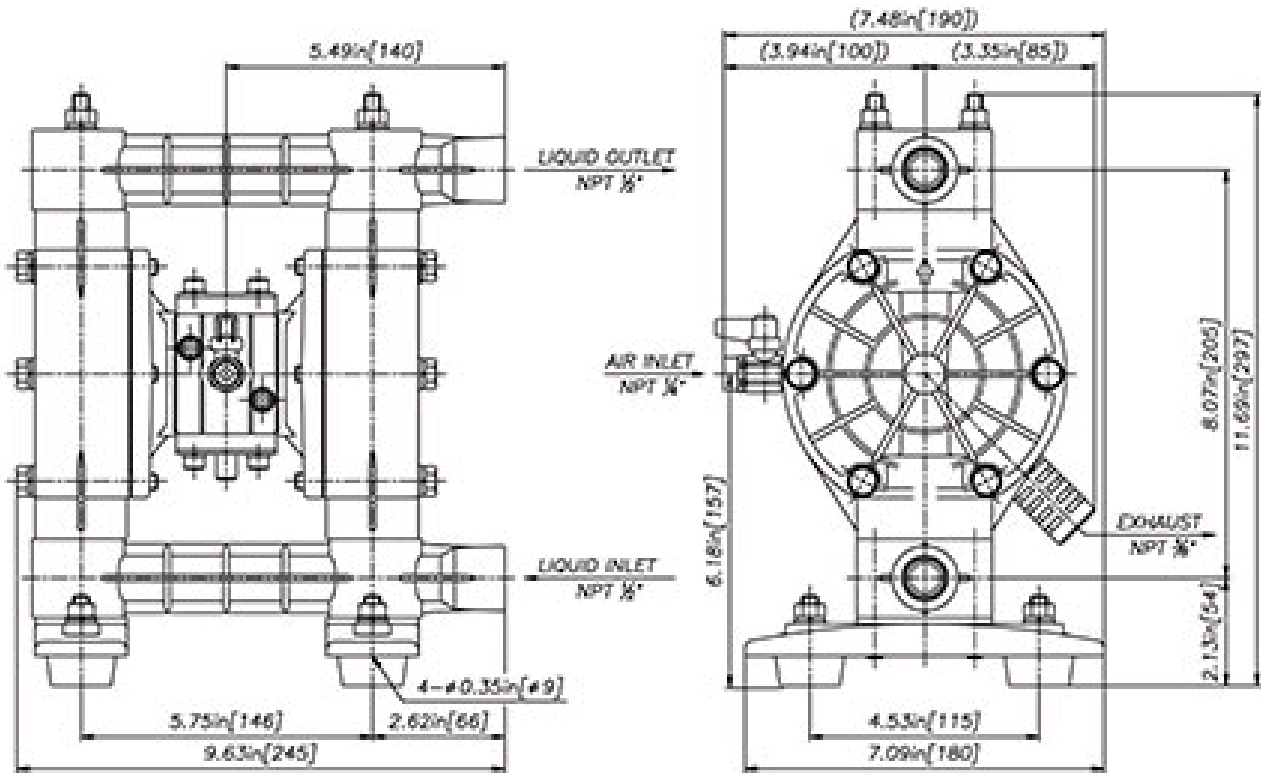
Model : DP-15BP.

Yamada Europe B.V.



Material: PPG (Reinforced Polypropylene)

Diaphragm options	NBR, EPDM, TPEE, TPO
Max performance	27 L/min
Manifold connection	NPT 1/2"
Net Weight	3,5 kg



0,1MPa = 1Bar

