

EXPLODED VIEW & PARTS LISTING

Air Operated Double Diaphragm pump

Model : DP-15FV.

Yamada Europe B.V.



Material: PVDF (Conductive Polivinyllidene Fluoride)

DP PUMPS REQUIRE A FRL UNIT TO LUBRICATE THE COMPRESSED AIR

FRL-1A



To Purchase:

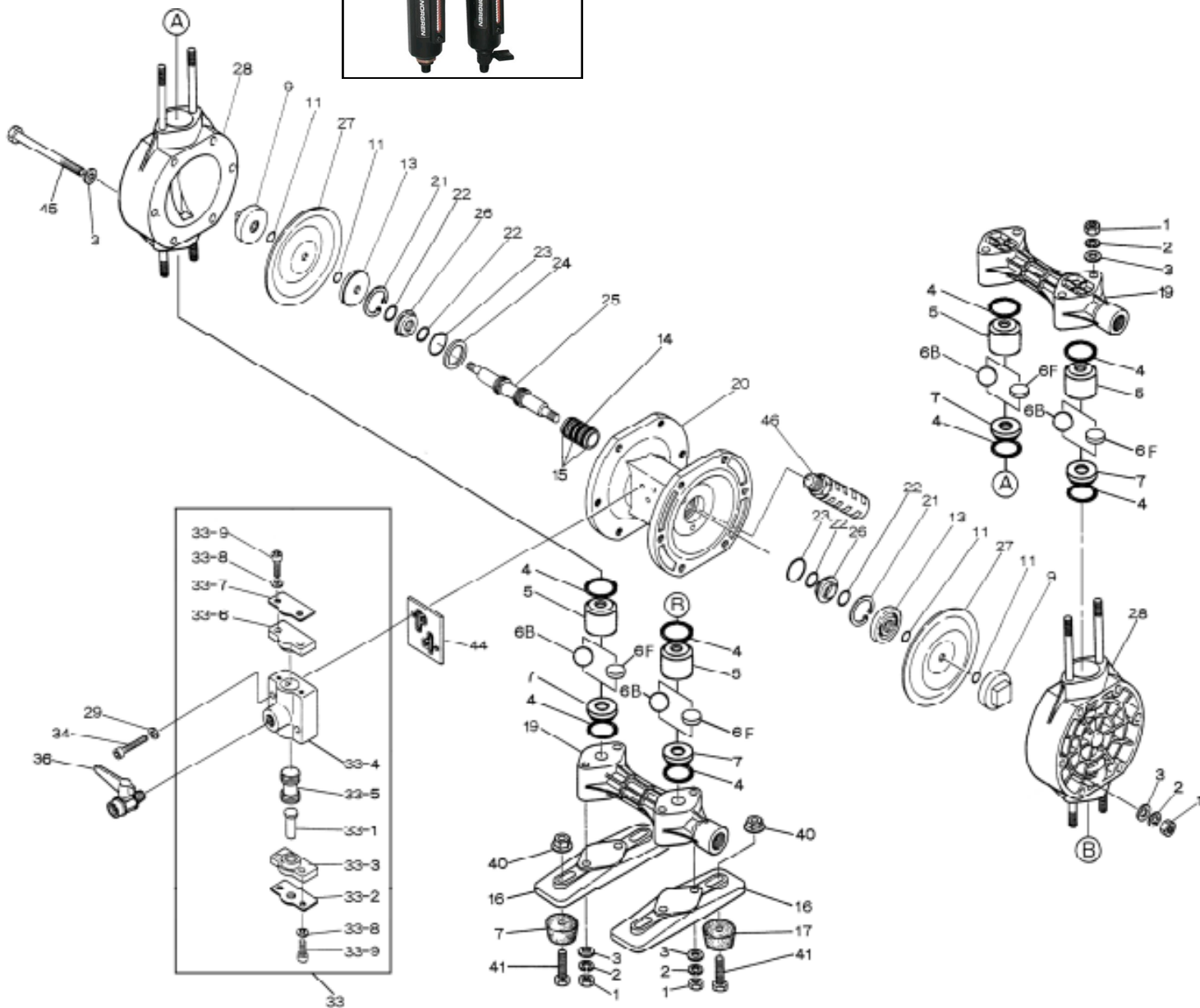
0031 (0)74 242 2032

sales@yamada.nl

More information:

YouTube: [@yamadapump](https://www.youtube.com/@yamadapump)

yamada-europe.com



Tighting torque for:

Center rod: 14Nm
 Out chambers: 12Nm
 Manifolds: 12Nm

Special tools (sold seperately)

None

Miscellaneous:

Assembly oil: use turbine oil none additional class 1
 Equiv. to ISO VGA32 grade
 Use Urea grease grade NLGI No. 2

EXPLODED VIEW & PARTS LISTING

Model : DP-15FV.

Yamada Europe B.V.



Air Operated Double Diaphragm pump

Material: PVDF (Conductive Polivinylidene Fluoride)



DIAPHRAGM

Design #

PTFE
FVT
854690

REF.	DESCRIPTION	Q-	Part No.
1	NUT	8	687229
2	SPRING WASHER	20	681300
3	PLAIN WASHER	20	631329
4	O RING	8	643027
5	VALVE GUIDE	4	771632
6F	FLAT VALVE	4	771762
7	VALVE SEAT	4	771633
9	CENTER DISK	2	771631
11	O RING	4	643005
13	CENTER DISK	2	708770
14	SLEEVE	1	714678
15	O RING	4	684900
16	BASE	2	771635
17	RUBBER FOOT	4	770551
19	MANIFOLD	2	780273
20	BODY	1	715106
21	RETAINING RING	2	630807
22	PACKING	4	684284
23	O RING	2	640131
24	SPACER	1	772651
25	CENTER ROD ASSY	1	801785
26	GUIDE BUSHING	2	772619
27	DIAPHRAGM	2	770933
28	OUT CHAMBER	2	780120
29	SPRING WASHER	2	681855
33	VALVE BODY ASSY	1	804504
33- 1	RESET BUTTON	1	706798
33- 2	PLATE A	1	710587
33- 3	SPOOL END COVER	1	771357
33- 4	SPOOL CASE	1	710574
33- 5	SPOOL ASSY	1	801404
33- 6	SPOOL COVER	1	771356
33- 7	PLATE B	1	710636
33- 8	SPRING WASHER	4	681855
33- 9	BOLT	4	682943
34	BOLT	2	682918
36	VALVE	1	686825
40	FLANGED NUT	4	682276
41	BOLT	4	611152
44	GASKET	1	771358
45	BOLT	12	621160
46	MUFFLER	1	681293
KIT	DIAPHRAGM		K115D-PT
KIT	VALVE		K15V-PT
KIT	WET END REPAIR		K15-PT
KIT	AIR MOTOR		K10-AM
KIT	AIR MOTOR SEAL		K10-AMS

EXPLODED VIEW & PARTS LISTING

Air Operated Double Diaphragm pump



MODEL : DP-15FV.

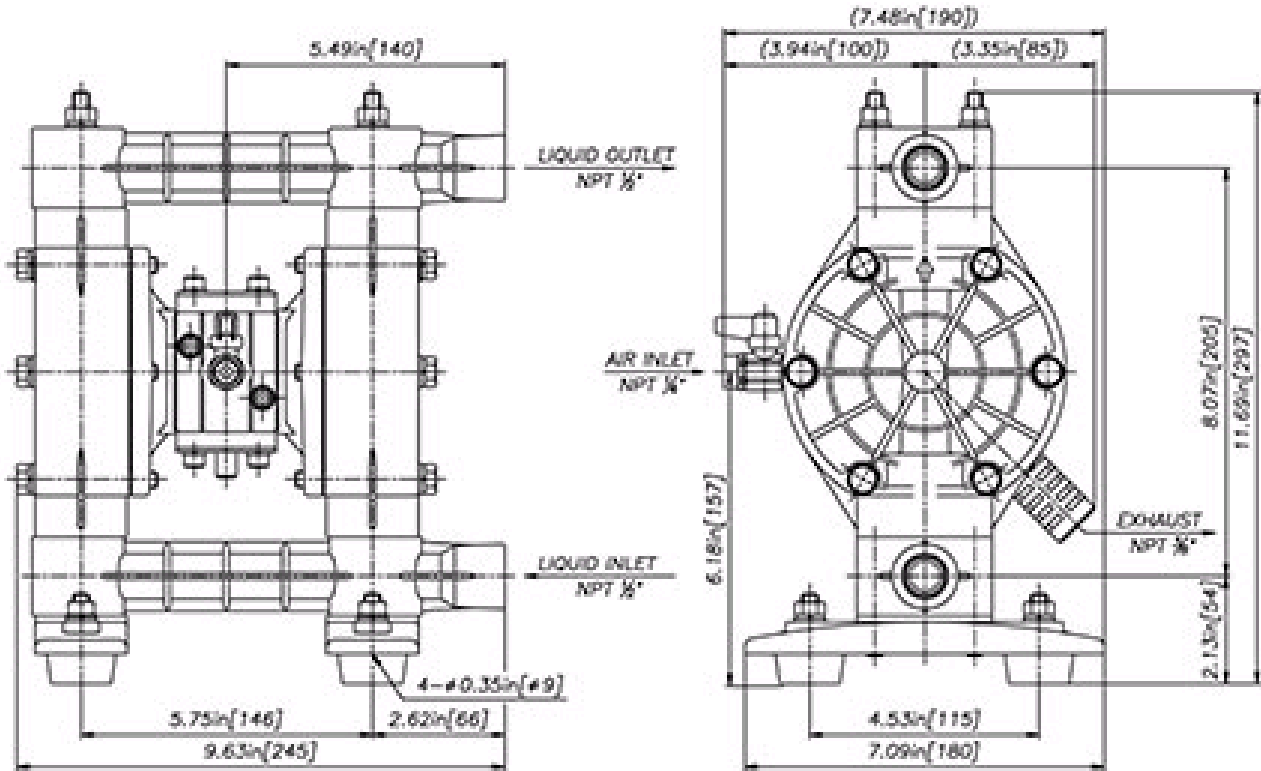
Model : DP-15FV.

Yamada Europe B.V.



Material: PVDF—PVDF (Conductive Polyvinylidene Fluoride)

Diaphragm options	PTFE
Max performance	27 L/min
Manifold connection	NPT 1/2"
Net Weight	4,3 kg



0,1MPa = 1Bar

