

# EXPLODED VIEW & PARTS LISTING

## Air Operated Double Diaphragm pump

Model : G15A.

**Yamada** Europe B.V.



Material: Aluminium (ADC12)



**To Purchase:**

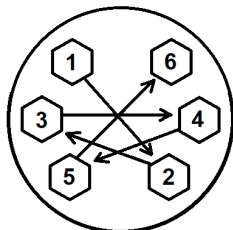
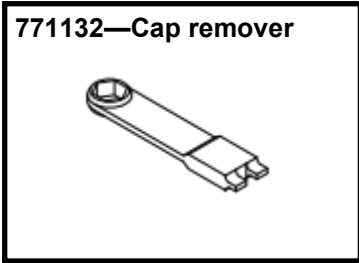
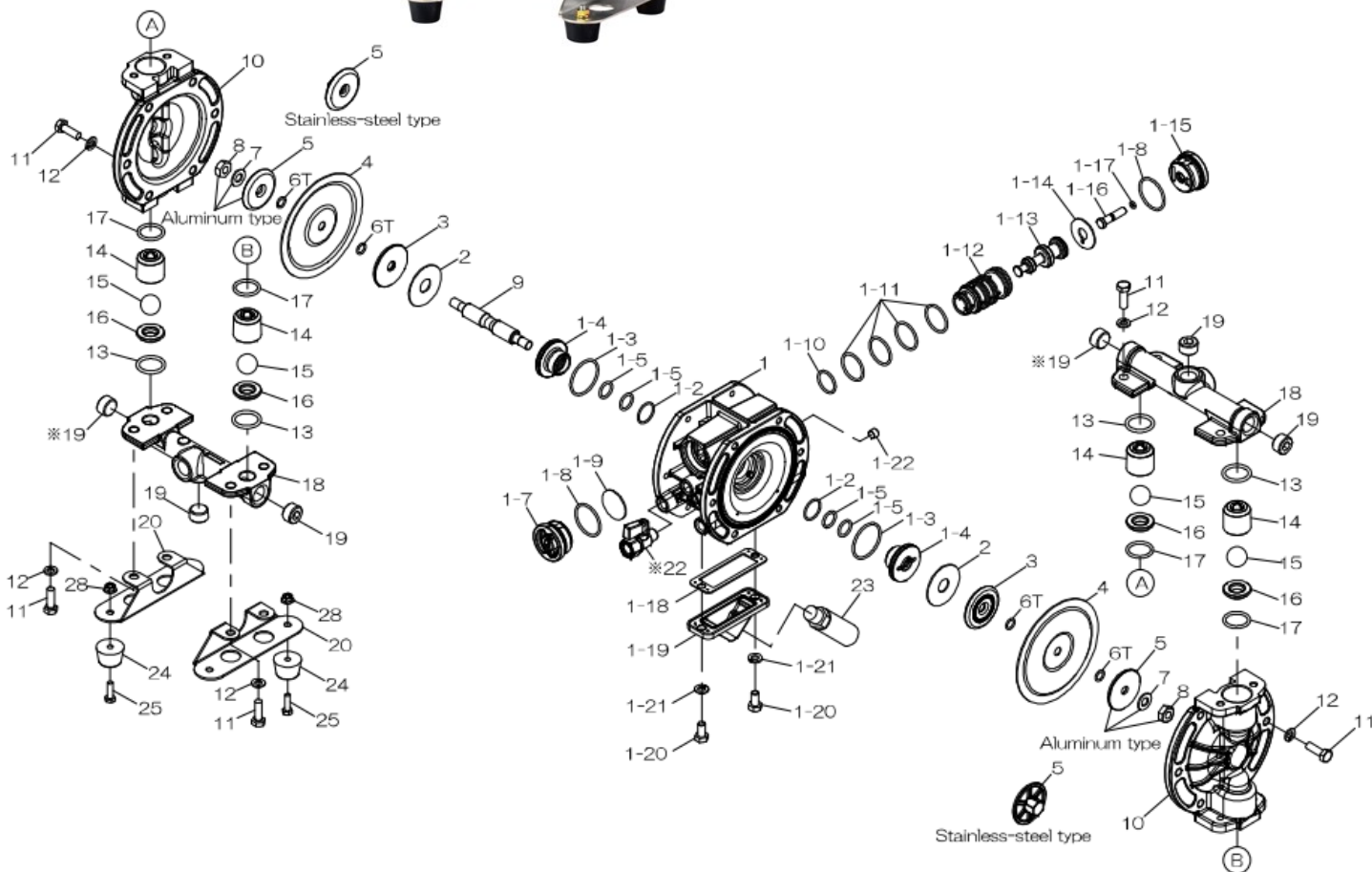
☎ 0031 (0)74 242 2032

✉ [sales@yamada.nl](mailto:sales@yamada.nl)

**More information:**

▶ YouTube: [@yamadapump](https://www.youtube.com/@yamadapump)

🌐 [yamada-europe.com](http://yamada-europe.com)



**Tighting torque for:**

Center rod:	18 Nm
Out chambers:	12 Nm
Manifolds:	12 Nm

**Special tools (sold seperately)**

713148	Sleeve remover
771132	Cap remover

**Miscellaneous:**

Assembly oil: use turbine oil none additional class 1

Equiv. to ISO VGA32 grade

Use Urea grease grade NLGI No. 2

# EXPLODED VIEW & PARTS LISTING

## Air Operated Double Diaphragm pump

Model : NDP-15BA.

**Yamada** Europe B.V.



Material: Aluminium (ADC12)



### DIAPHRAGM

Design #

NBR	HYTREL	SANTOPRENE	PTFE
AN00	AH00	AS00	AT00
854693	854695	854696	854694
Part No.	Part No.	Part No.	Part No.
1	805129	805129	805129
1- 1	716916	716916	716916
1- 2	684725	684725	684725
1- 3	686733	686733	686733
1- 4	773279	773279	773279
1- 5	640015	640015	640015
1- 7	716917	716917	716917
1- 8	686734	686734	686734
1- 9	773280	773280	773280
1-10	685276	685276	685276
1-11	686029	686029	686029
1-12	716950	716950	716950
1-13	805131	805131	805131
1-14	773281	773281	773281
1-15	716918	716918	716918
1-16	717035	717035	717035
1-17	640002	640002	640002
1-18	773283	773283	773283
1-19	716919	716919	716919
1-20	611145	611145	611145
1-21	631916	631916	631916
1-22	634360	634360	634360
2	773278	773278	773278
3	716923	716923	716923
4	773277	773316	773315
5	716924	716924	716924
6T	—	—	643007
7	681303	681303	681303
8	683636	683636	683636
9	717100	717100	717100
10	716920	716920	716920
11	611149	611149	611149
12	631916	631916	631916
13	640025	640025	684114
14	717098	717098	717098
15	773422	773374	773424
16	717099	717099	717099
17	640130	640130	684113
18	716922	716922	716922
19	686822	686822	686822
20	717186	717186	717186
22	686825	686825	686825
23	681293	681293	681293
24	771123	771123	771123
25	611101	611101	611101
28	682817	682817	682817
KIT	KG15D-AN	KG15D-AH	KG15D-AS
KIT	KG15V-AN	KG15V-AH	KG15V-AS
KIT	KG15-MN	KG15-MH	KG15-MS
KIT	KG15-AM		
KIT	KG15-AMS		

# EXPLODED VIEW & PARTS LISTING

## Air Operated Double Diaphragm pump

Model : G15A

**Yamada** Europe B.V.

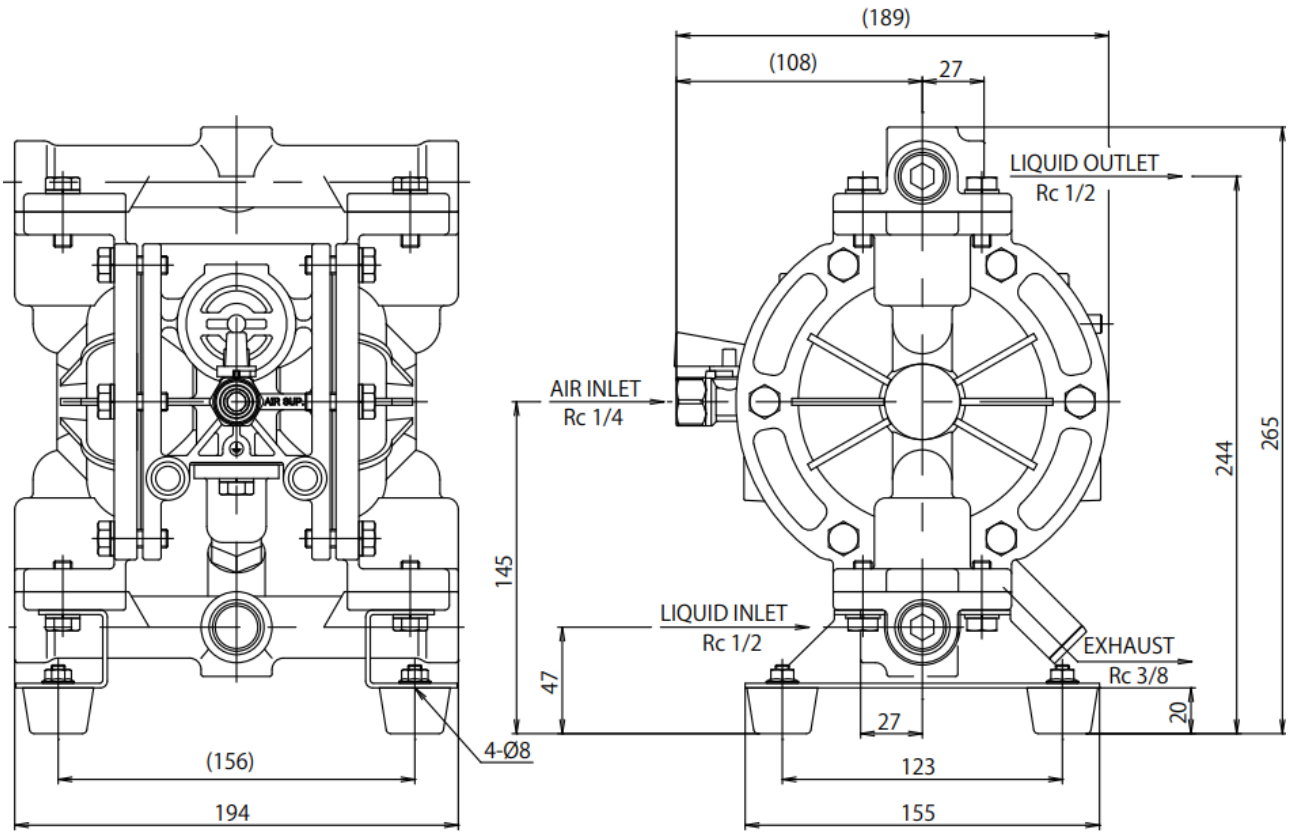


Material: Aluminium (ADC12)



Diaphragm options	NBR, TPEE, TPO, PTFE
Max performance	58 L/min (NBR 60 L/min)
Manifold connection	Rc 1/2"
Net Weight	5,4 kg

MODEL : G15A.



0,1MPa = 1Bar

### ■G15A□

