

EXPLODED VIEW & PARTS LISTING

Air Operated Double Diaphragm pump

Model : G15S.

Yamada Europe B.V.



Material: Stainless steel 316 (SCS14)



To Purchase:

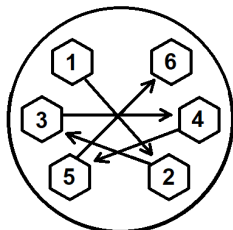
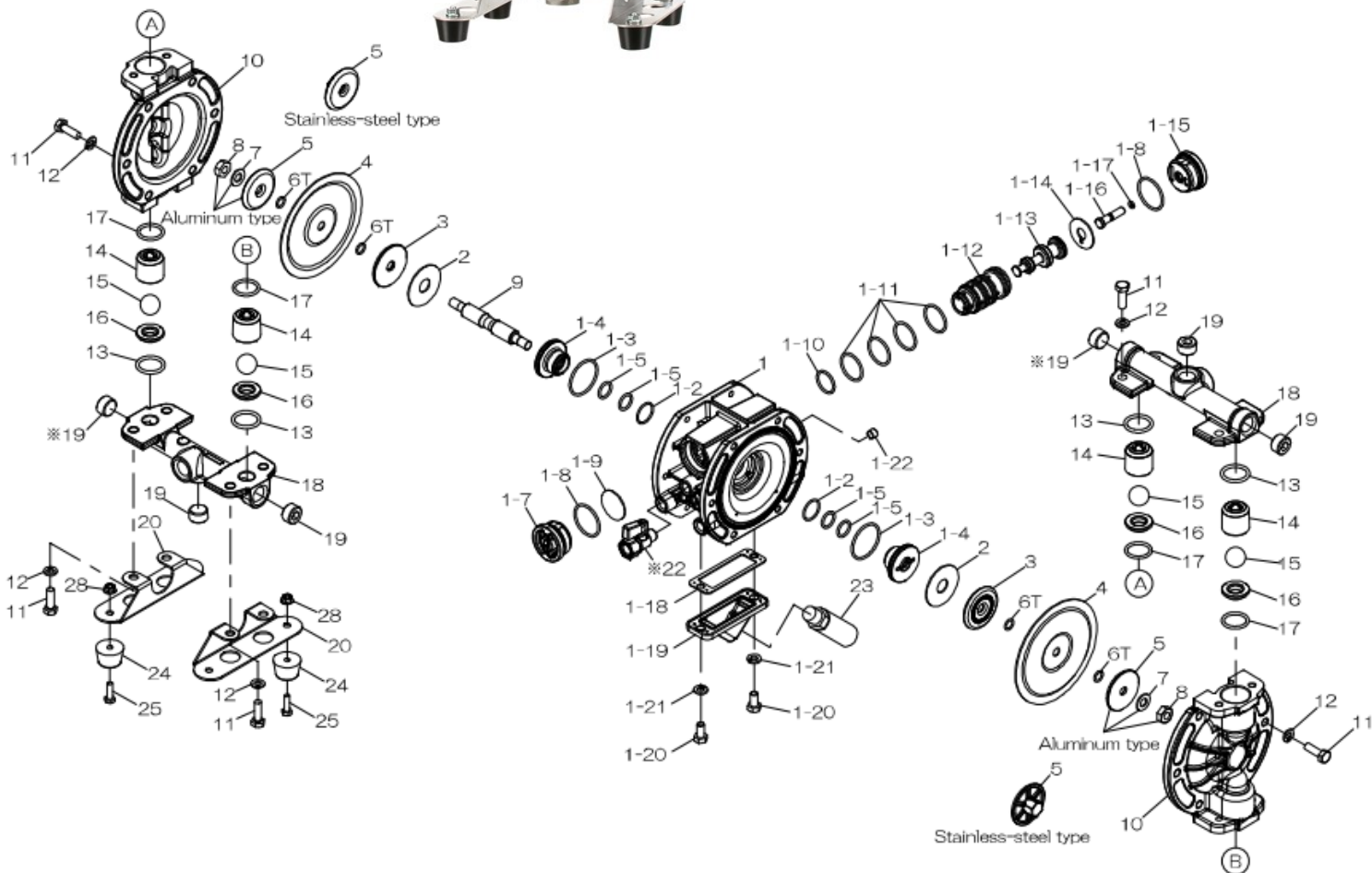
More information:

☎ 0031 (0)74 242 2032

▶ YouTube: [@yamadapump](https://www.youtube.com/@yamadapump)

✉ sales@yamada.nl

🌐 yamada-europe.com



Tighting torque for:
 Center rod: 18 Nm
 Out chambers: 12 Nm
 Manifolds: 12 Nm

Special tools (sold seperately)
 713148 Sleeve remover
 771132 Cap remover

Miscellaneous:
 Assembly oil: use turbine oil none additional class 1
 Equiv. to ISO VGA32 grade
 Use Urea grease grade NLGI No. 2

EXPLODED VIEW & PARTS LISTING

Air Operated Double Diaphragm pump

Model : G15S.

Yamada Europe B.V.



Material: Stainless steel 316 (SCS14)



DIAPHRAGM

Design #

				NBR	HYTREL	SANTOPRENE	PTFE
				SN00	SH00	SS00	ST00
				854705	854707	854708	854706
REF. No.	DESCRIPTION	Q'TY.	Part No.	Part No.	Part No.	Part No.	
1	BODY ASSY	1	805129	805129	805129	805129	
1- 1	CENTER BODY	1	716916	716916	716916	716916	
1- 2	O RING	2	684725	684725	684725	684725	
1- 3	O RING	2	686733	686733	686733	686733	
1- 4	GUIDE BUSHING	2	773279	773279	773279	773279	
1- 5	O RING	4	640015	640015	640015	640015	
1- 7	CAP A	1	716917	716917	716917	716917	
1- 8	O RING	2	686734	686734	686734	686734	
1- 9	CUSHION	1	773280	773280	773280	773280	
1-10	O RING	1	685276	685276	685276	685276	
1-11	O RING	4	686029	686029	686029	686029	
1-12	SLEEVE	1	716950	716950	716950	716950	
1-13	SPOOL ASSY	1	805131	805131	805131	805131	
1-14	CUSHION	1	773281	773281	773281	773281	
1-15	CAP B	1	716918	716918	716918	716918	
1-16	RESET BUTTON	1	717035	717035	717035	717035	
1-17	O RING	1	640002	640002	640002	640002	
1-18	GASKET	1	773283	773283	773283	773283	
1-19	COVER	1	716919	716919	716919	716919	
1-20	BOLT	2	611145	611145	611145	611145	
1-21	WAVE WASHER	2	631916	631916	631916	631916	
1-22	PLUG	1	634360	634360	634360	634360	
2	CUSHION	2	773278	773278	773278	773278	
3	CENTER DISK	2	716923	716923	716923	716923	
4	DIAPHRAGM	2	773277	773316	773315	773276	
5	CENTER DISK	2	717215	717215	717215	717215	
6T	O RING	4	—	—	—	643007	
9	CENTER ROD	1	717100	717100	717100	717100	
10	OUT CHAMBER	2	716927	716927	716927	716927	
11	BOLT	20	621149	611149	621149	621149	
12	WAVE WASHER	20	631936	631916	631936	631936	
13	O RING	4	640025	640025	684114	643025	
14	BALL GUIDE	4	717208	717208	717208	717208	
15	BALL	4	773422	773374	773424	773423	
16	VALVE SEAT	4	717210	717210	717210	717210	
17	O RING	4	640130	640130	684113	643130	
18	MANIFOLD	2	716928	716928	716928	716928	
19	PLUG	4	686822	686822	686822	686822	
20	BASE	2	717186	717186	717186	717186	
22	VALVE	1	686825	686825	686825	686825	
23	MUFFLER	1	681293	681293	681293	681293	
24	RUBBER FOOT	4	771123	771123	771123	771123	
25	BOLT	4	611101	611101	611101	611101	
28	FLANGED NUT	4	682817	682817	682817	682817	
KIT	DIAPHRAGM		KG15D-SN	KG15D-SH	KG15D-SS	KG15D-ST	
KIT	VALVE		KG15V-SN	KG15V-SH	KG15V-SS	KG15V-ST	
KIT	WET END REPAIR		KG15-MN	KG15-MH	KG15-MS	KG15-MT	
KIT	AIR MOTOR		KG15-AM				
KIT	AIR MOTOR SEAL		KG15-AMS				

EXPLODED VIEW & PARTS LISTING

Air Operated Double Diaphragm pump



MODEL : G15S.

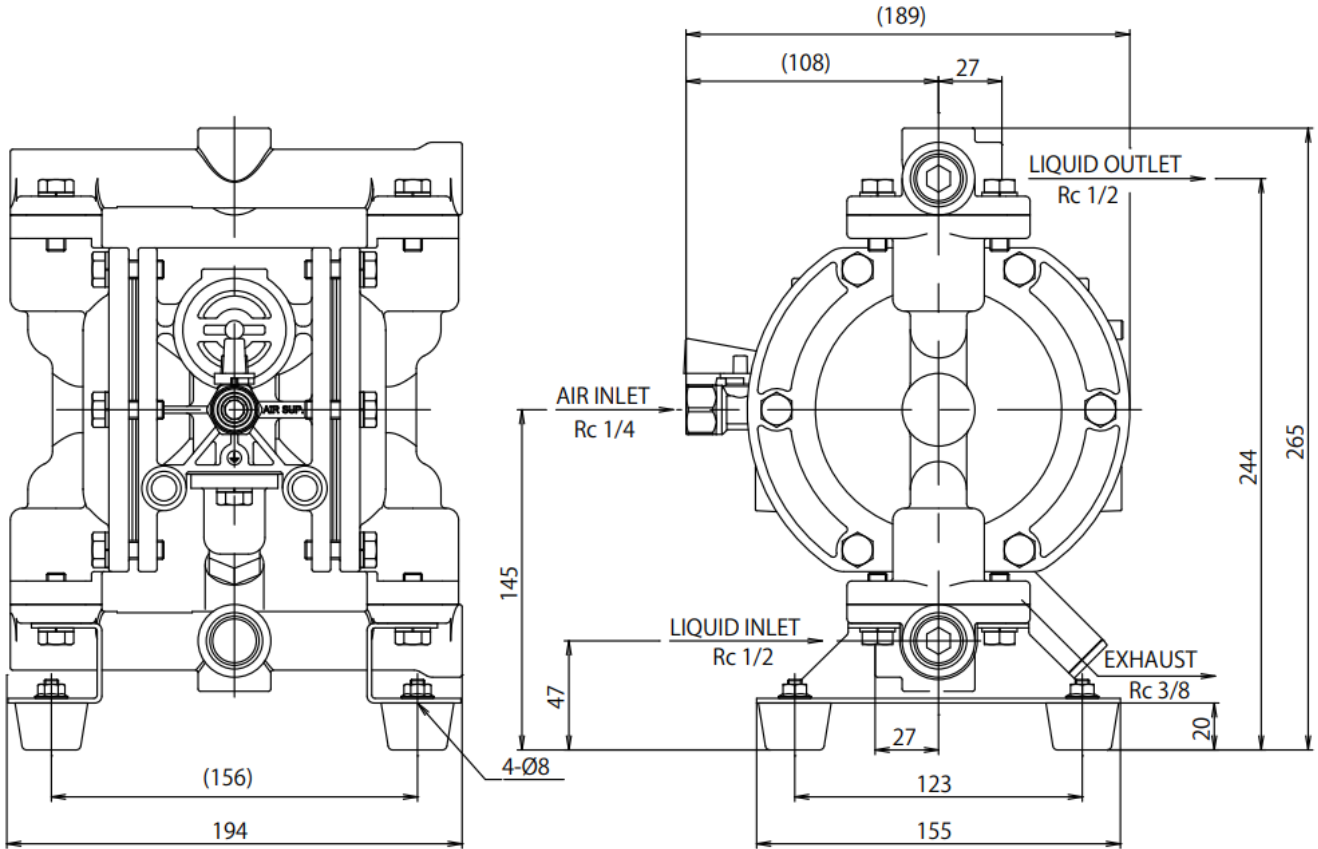
Model : G15S

Yamada Europe B.V.



Material: Stainless steel 316 (SCS14)

Diaphragm options	NBR, TPEE, TPO	PTFE
Max performance	56 L/min	50 L/min
Manifold connection	Rc 1/2"	
Net Weight	8,2 kg	



■ G15S□

0,1MPa = 1Bar

