

EXPLODED VIEW & PARTS LISTING

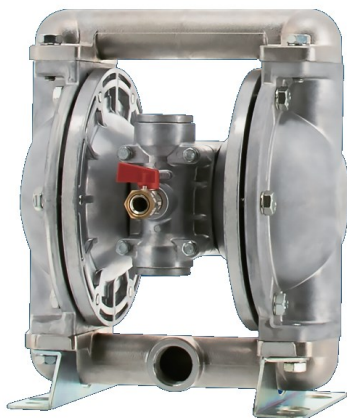
Air Operated Double Diaphragm pump

Model : G25A.

Yamada Europe B.V.



Material: Aluminium (ADC12)



To Purchase:

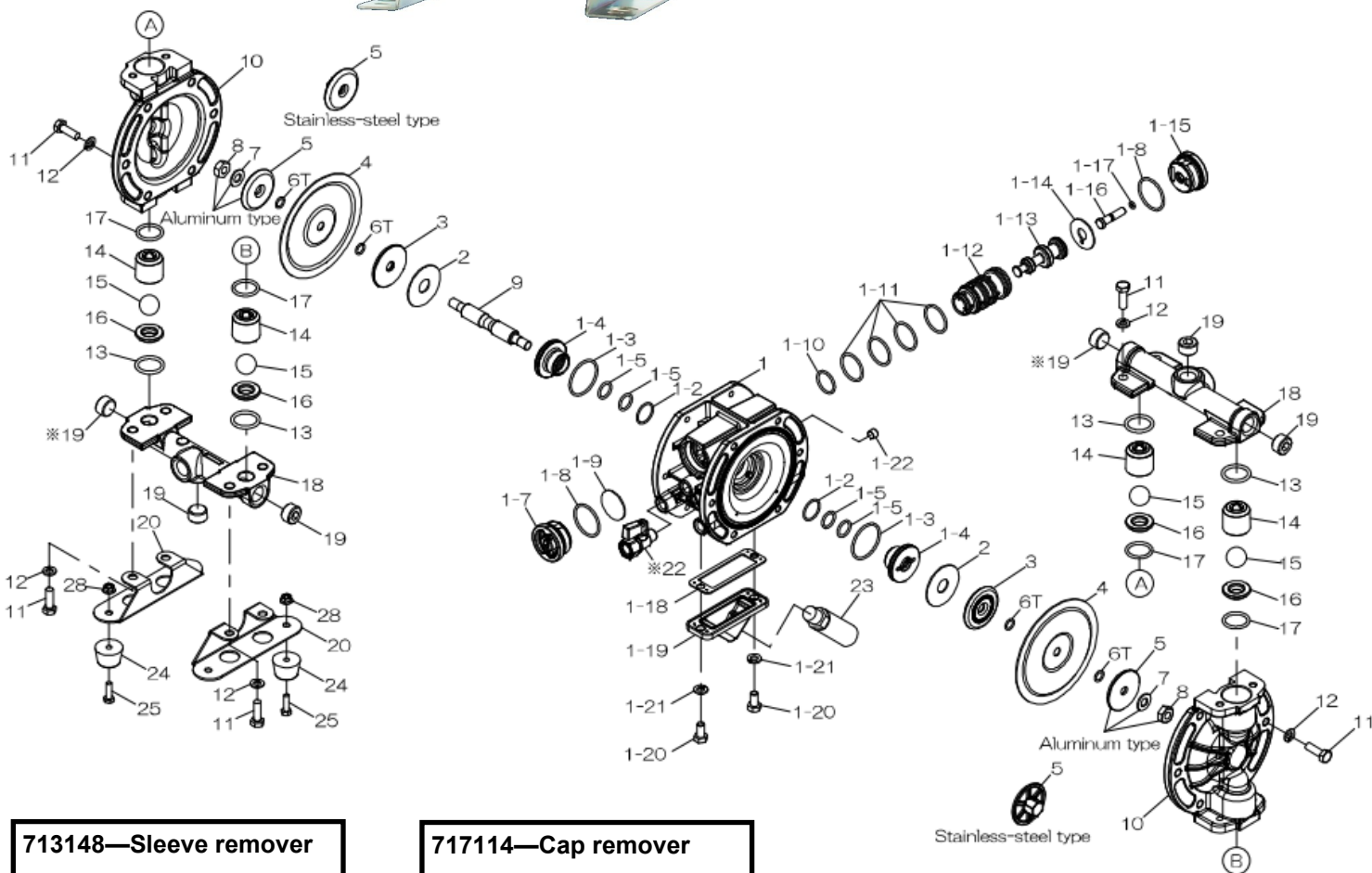
More information:

☎ 0031 (0)74 242 2032

▶ YouTube: [@yamadapump](https://www.youtube.com/@yamadapump)

✉ sales@yamada.nl

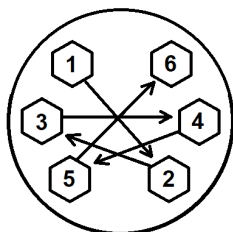
🌐 yamada-europe.com



713148—Sleeve remover



717114—Cap remover



Tighting torque for:

Center rod: 40 Nm
 Out chamber: 20 Nm
 Manifold: 10 Nm

Special tools (sold seperately)

713148 Sleeve remover
 717114 Cap remover

Miscellaneous:

Assembly oil: use turbine oil none additional class 1
 Equiv. to ISO VGA32 grade
 Use Urea grease grade NLGI No. 2

EXPLODED VIEW & PARTS LISTING

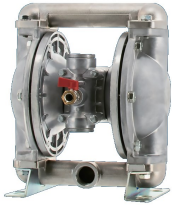
Air Operated Double Diaphragm pump

Model : G25A.

Yamada Europe B.V.



Material: Aluminium (ADC12)



DIAPHRAGM

Design #

NBR	HYTREL	SANTOPRENE	PTFE
AN00	AH00	AS00	AT00
854994	854998	855000	854996

REF. No.	DESCRIPTION	Q'TY.	Part No.	Part No.	Part No.	Part No.
1	BALL	4	770720	773126	773170	770736
2	O RING	4	640041	640041	686818	643041
3	VALVE SEAT	4	581130	581130	581130	717246
4	OUT CHAMBER	2	716959	716959	716959	716959
5	DIAPHRAGM	2	772962	771363	771974	771110
6N	SPACER	2	773442	—	—	—
7,7T	CENTER DISK	2	716958	716958	716958	717095
8	CENTER ROD	1	717224	717224	717224	717225
9T	O RING	4	—	—	—	643013
10,10T	CENTER DISK	2	716258	716258	716258	717226
11	WASHER	2	716259	716259	716259	—
12	BASE	2	717031	717031	717031	717031
13	BODY ASSY	1	805262	805262	805262	805262
13- 2	GASKET	2	773441	773441	773441	773441
13- 3	BODY	1	717219	717219	717219	717219
13- 4	O RING	4	640016	640016	640016	640016
13- 5	GUIDE BUSHING C	2	773452	773452	773452	773452
13- 6	GUIDE BUSHING B	2	773451	773451	773451	773451
13- 7	GUIDE BUSHING A	2	773450	773450	773450	773450
13- 8	O RING	2	683112	683112	683112	683112
13- 9	BOLT	8	682486	682486	682486	682486
14	BOLT	20	611175	611175	611175	611175
15	WAVE WASHER	20	631917	631917	631917	631917
16	MANIFOLD	2	717217	717217	717217	717217
17	CUSHION	2	771054	771054	771054	771054
18	CUSHION	2	773443	773443	773443	—
19	GASKET	1	773440	773440	773440	773440
20	VALVE BODY ASSY	1	805264	805264	805264	805264
20- 1	CAP A	2	716917	716917	716917	716917
20- 2	O RING	2	686734	686734	686734	686734
20- 3	SPOOL ASSY	1	805208	805208	805208	805208
20- 4	O RING	1	685453	685453	685453	685453
20- 5	O RING	4	685276	685276	685276	685276
20- 6	VALVE BODY	1	717221	717221	717221	717221
20- 7	SLEEVE	1	773444	773444	773444	773444
20- 8	CUSHION	1	773280	773280	773280	773280
21	BOLT	4	611111	611111	611111	611111
22	WAVE WASHER	4	631915	631915	631915	631915
23	MUFFLER	1	804697	804697	804697	804697
24	VALVE	1	686969	686969	686969	686969
KIT	DIAPHRAGM		KG25D-AN	KG25D-AH	KG25D-AS	KG25D-AT
KIT	VALVE		KG25V-AN	KG25V-AH	KG25V-AS	KG25V-AT
KIT	WET END REPAIR		KG25-MN	KG25-MH	KG25-MS	KG25-MT
KIT	AIR MOTOR		KG25-AM			
KIT	AIR MOTOR SEAL		KG25-AMS			

EXPLODED VIEW & PARTS LISTING

Air Operated Double Diaphragm pump



MODEL : G25A.

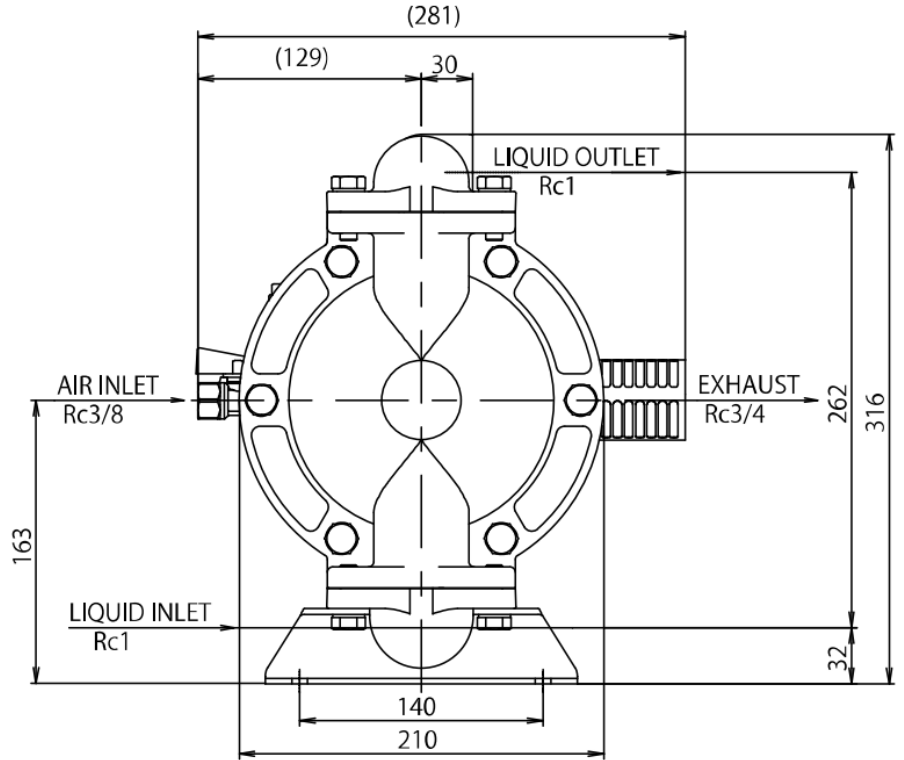
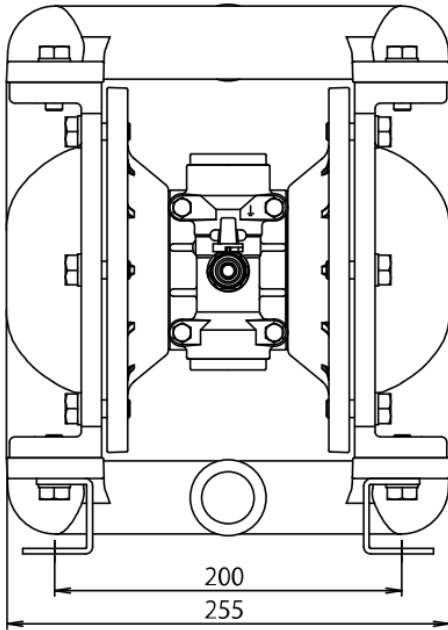
Model : G25A.

yamada Europe B.V.



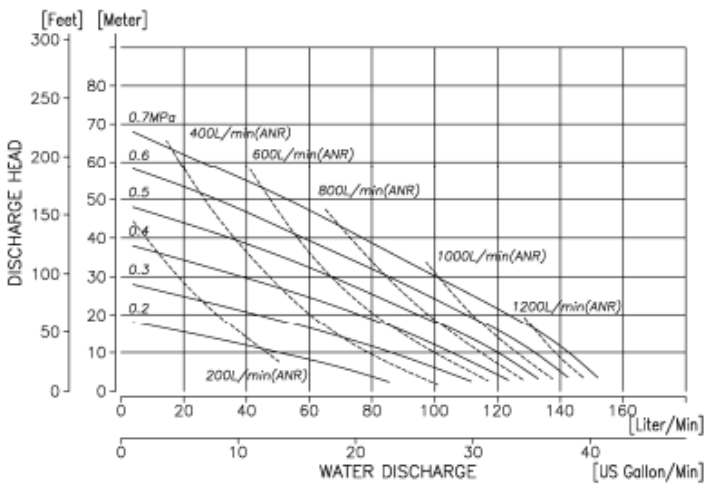
Material: Aluminium (ADC12)

Diaphragm options	NBR, TPEE, TPO, PTFE
Max performance	150 L/min (PTFE 130 L/min)
Manifold connection	Rc 1"
Net Weight	9,2 kg



0,1MPa = 1Bar

G25A



G25AT

