

# EXPLODED VIEW & PARTS LISTING

## Air Operated Double Diaphragm pump

Model : NDP-15FV.

**Yamada** Europe B.V.



Material: PVDF (Conductive Polivinyldiene Fluoride)

To Purchase:

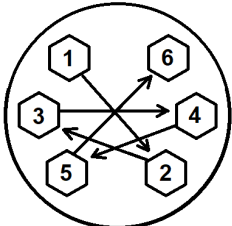
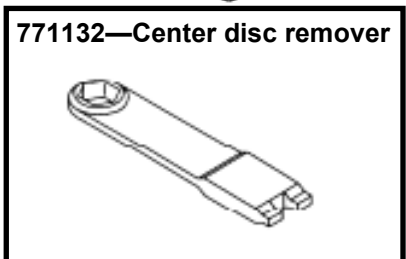
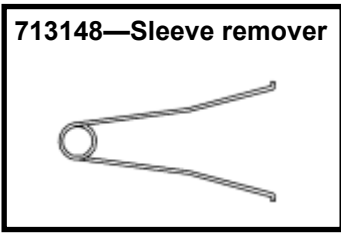
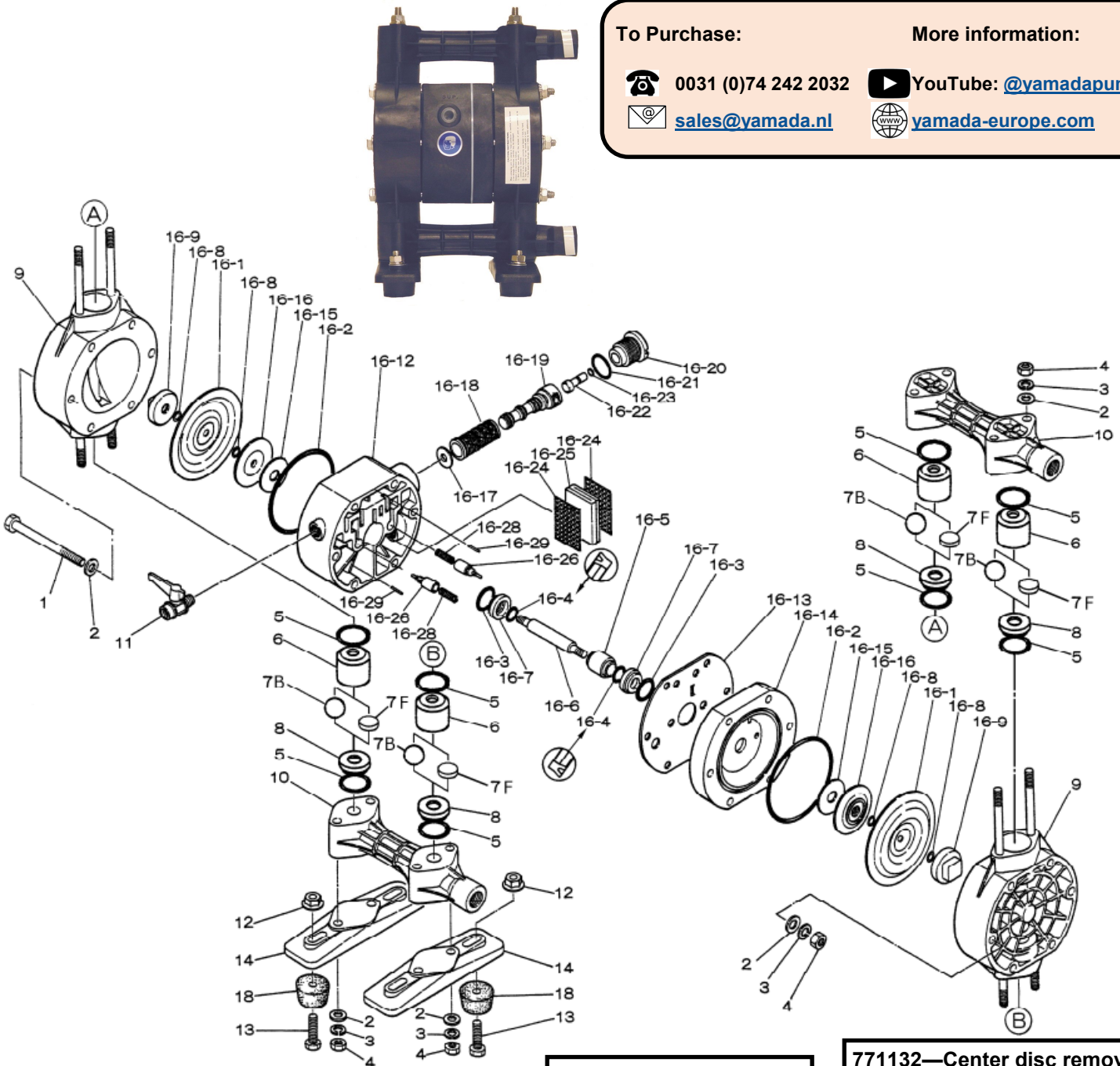
More information:

☎ 0031 (0)74 242 2032

▶ YouTube: [@yamadapump](https://www.youtube.com/@yamadapump)

✉ [sales@yamada.nl](mailto:sales@yamada.nl)

🌐 [yamada-europe.com](http://yamada-europe.com)



**Tighting torque for:**

Center rod:	14Nm
Out chambers:	12Nm
Manifolds:	12Nm

**Special tools (sold seperately)**

713148	Sleeve remover
771132	Center disc remover

**Miscellaneous:**

Assembly oil: use turbine oil none additional class 1  
 Equiv. to ISO VGA32 grade  
 Use Urea grease grade NLGI No. 2

# EXPLODED VIEW & PARTS LISTING

## Air Operated Double Diaphragm pump

Model : NDP-15FV

**Yamada** Europe B.V.



Material: PVDF (Conductive Polyvinylidene Fluoride)



### DIAPHRAGM

Design #

REF. No.	DESCRIPTION	Q'TY.	Material					
			EPDM	HYTREL	SANTOPRENE	VITON	PTFE	PTFE-EPDM
			FVE	FVH	FVS	FVV	FVT	FVTU
			YE Original	YE Original	854680	YE Original	852141	YE Original
REF. No.	DESCRIPTION	Q'TY.	Part No.	Part No.	Part No.	Part No.	Part No.	Part No.
1	BOLT	6	684310	684310	684310	684310	684310	684310
2	PLAIN WASHER	20	631329	631329	631329	631329	631329	631329
3	SPRING WASHER	14	681300	681300	681300	681300	681300	681300
4	NUT	14	687229	687229	687229	687229	687229	687229
5	O RING	8	684115	643027	643027	643027	643027	643027
6	VALVE GUIDE	4	771632	771632	771632	771632	771632	771632
7F	FLAT VALVE	4	771762	771762	771762	771762	771762	771762
8	VALVE SEAT	4	771633	771633	771633	771633	771633	771633
9	OUT CHAMBER	2	780120	780120	780120	780120	780120	780120
10	MANIFOLD	2	780055	780055	780055	780055	780055	780055
11	VALVE	1	686825	686825	686825	686825	686825	686825
12	FLANGED NUT	4	682276	682276	682276	682276	682276	682276
13	BOLT	4	611152	611152	611152	611152	611152	611152
14	BASE	2	771635	771635	771635	771635	771635	771635
16	BODY ASSY	1	803003	803003	803565	803003	803003	802988TU
16- 1	DIAPHRAGM	2	771848	771372	771972	770971-V	770933	833027
16- 2	O RING	2	640144	640144	640144	640144	640144	640144
16- 3	O RING	2	640020	640020	640020	640020	640020	640020
16- 4	PACKING	2	684284	684284	684284	684284	684284	684284
16- 5	GUIDE	1	771337	771337	771337	771337	771337	771337
16- 6	CENTER ROD	1	710578	710578	710578	710578	710578	716573
16- 7	BUSHING	2	771336	771336	771336	771336	771336	771336
16- 8	O RING	4	643005	—	—	643005	643005	643005
16- 9	CENTER DISK	2	771631	771631	771631	771631	771631	—
16-12	BODY A	1	780028	780028	780028	780028	780028	780028
16-13	GASKET	1	771347	771347	771347	771347	771347	771347
16-14	BODY B	1	780030	780030	780030	780030	780030	780030
16-15	CUSHION	2	771342	771342	771342	771342	771342	771342
16-16	CENTER DISK	2	771344	771344	771344	771344	771344	020109
16-17	CUSHION	1	771483	771483	771483	771483	771483	771483
16-18	SLEEVE ASSY	1	804249	804249	804249	804249	804249	804249
16-19	C SPOOL ASSY	1	802835	802835	802835	802835	802835	802835
16-20	CAP	1	771695	771695	771695	771695	771695	771695
16-21	O RING	1	640022	640022	640022	640022	640022	640022
16-22	RESET BUTTON	1	771350	771350	771350	771350	771350	771350
16-23	O RING	1	640002	640002	640002	640002	640002	640002
16-24	MESH	2	771589	771589	771589	771589	771589	771589
16-25	MUFFLER FELT	1	771465	771465	771465	771465	771465	771465
16-26	PILOT VALVE ASSY	2	832141	832141	832141	832141	832141	832141
16-28	SPRING	2	710577	710577	710577	710577	710577	710577
16-29	SPRING PIN	2	632752	632752	632752	632752	632752	632752
18	RUBBER FOOT	4	770551	770551	770551	770551	770551	770551
KIT	DIAPHRAGM		K15D-PE	K15D-PH-1	K15D-PS-1	K15D-PV	K15D-PT	K15D-PTU
KIT	VALVE		K15V-VE	K15V-VT	K15V-VT	K15V-VV	K15V-VT	K15V-VT
KIT	WET END REPAIR		K15-VE	K15-VH-1	K15-VS-1	K15-VV	K15-VT	K15-VTU
KIT	AIR MOTOR		K10/15-AM					
KIT	AIR MOTOR SEAL		K10/15-AMS					

# EXPLODED VIEW & PARTS LISTING

## Air Operated Double Diaphragm pump



**MODEL :** NDP-15FV.

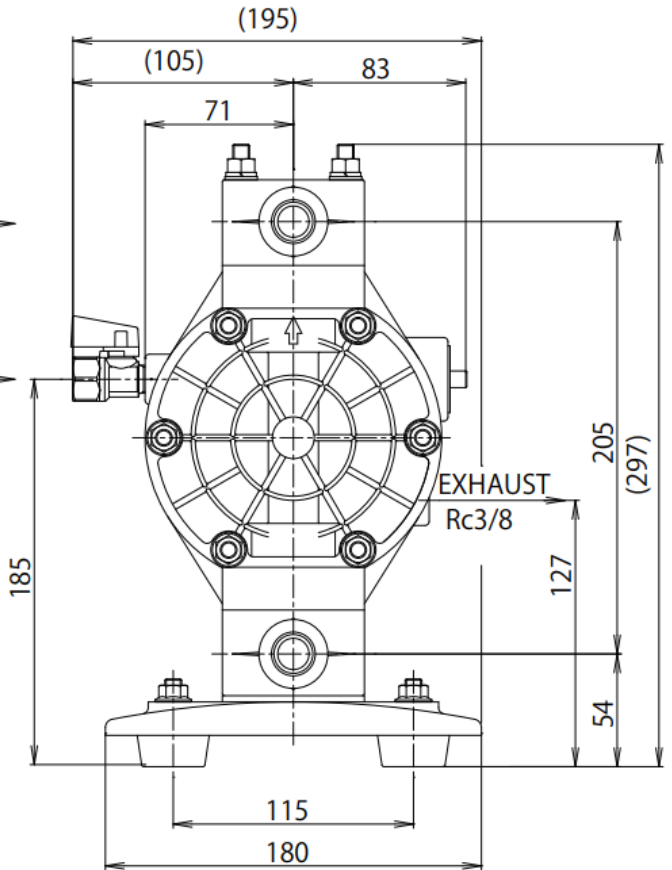
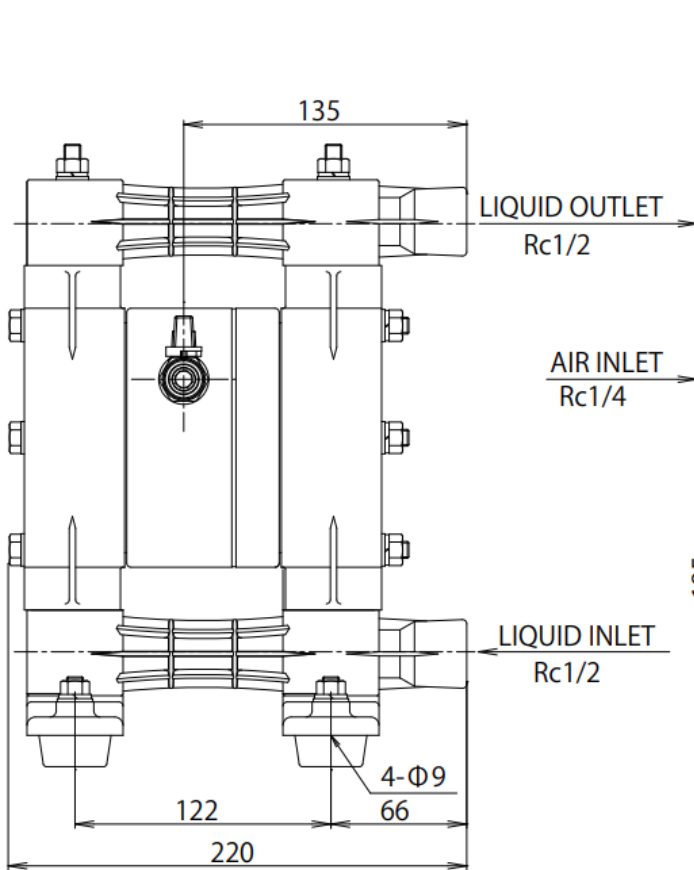
Model : NDP-15FV.

**Yamada** Europe B.V.



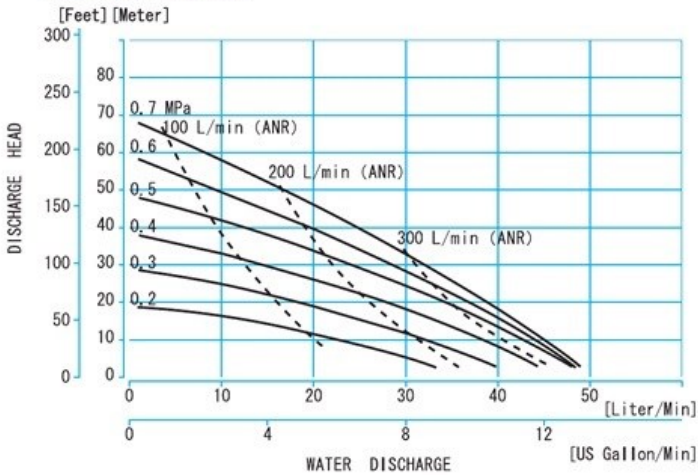
Material: PVDF (Conductive Polivinyldiene Fluoride)

Diaphragm options	EPDM, TPEE, TPO, FKM	PTFE	TU
Max performance	45 L/min	40 L/min	40 L/min
Manifold connection	Rc 1/2"		
Net Weight	4,3 kg		



**0,1MPa = 1Bar**

NDP-15FP□,FV□



NDP-15FVTU

