

EXPLODED VIEW & PARTS LISTING

Air Operated Double Diaphragm pump

Model : NDP-15FV.

Yamada Europe B.V.



Material: PVDF (Conductive Polivinyldiene Fluoride)

To Purchase:

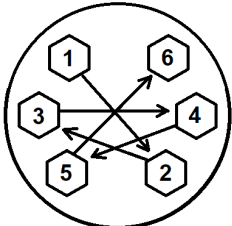
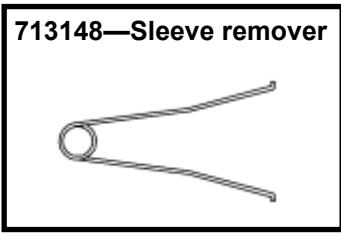
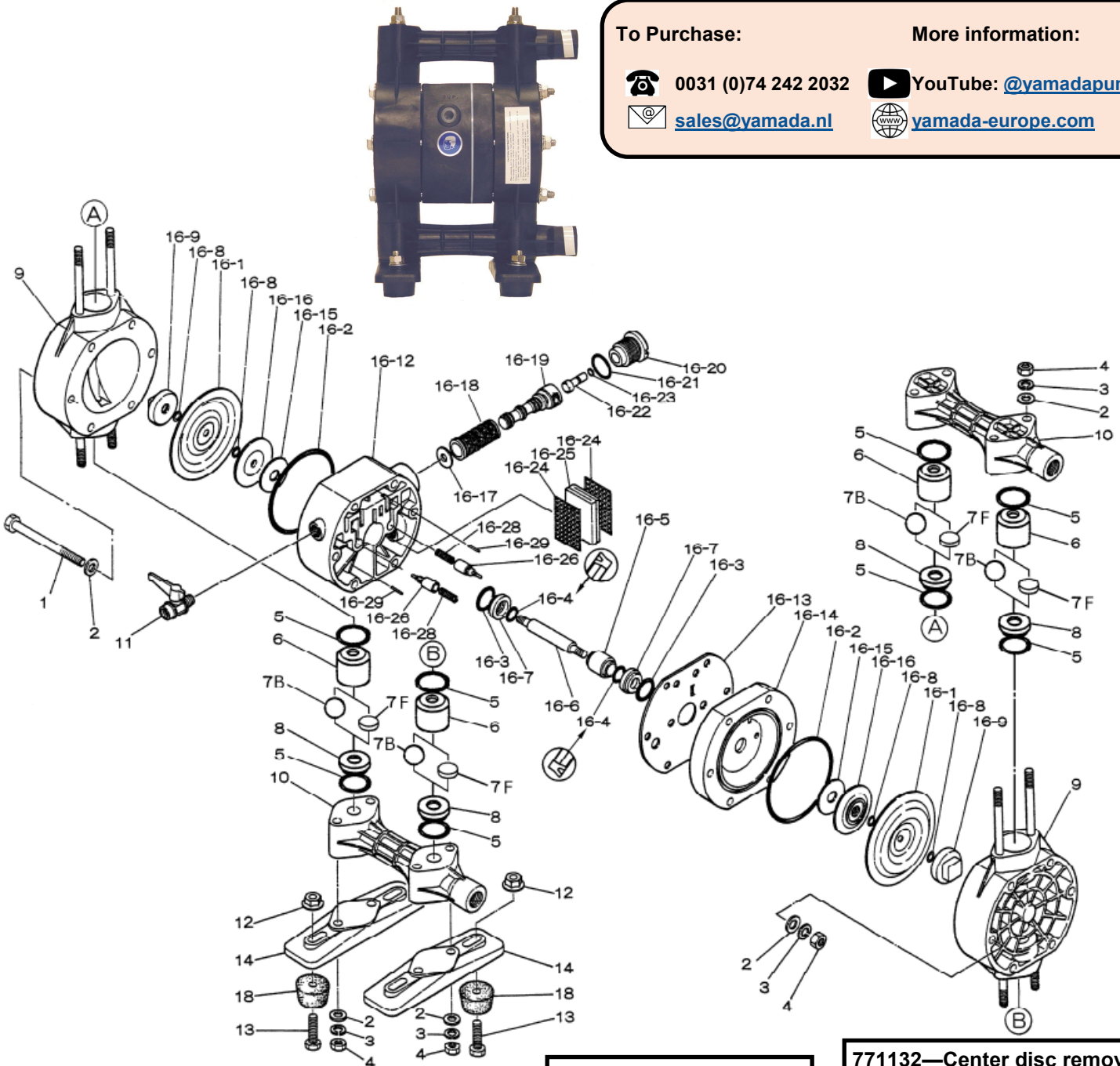
More information:

☎ 0031 (0)74 242 2032

▶ YouTube: [@yamadapump](https://www.youtube.com/@yamadapump)

✉ sales@yamada.nl

🌐 yamada-europe.com



Tighting torque for:

Center rod:	14Nm
Out chambers:	12Nm
Manifolds:	12Nm

Special tools (sold seperately)

713148	Sleeve remover
771132	Center disc remover

Miscellaneous:

Assembly oil: use turbine oil none additional class 1
 Equiv. to ISO VGA32 grade
 Use Urea grease grade NLGI No. 2

EXPLODED VIEW & PARTS LISTING

Air Operated Double Diaphragm pump

Model : NDP-15FV

Yamada Europe B.V.



Material: PVDF (Conductive Polyvinylidene Fluoride)



DIAPHRAGM

Design

				EPDM	HYTREL	SANTOPRENE	VITON	PTFE	PTFE-EPDM	
				FVE	FVH	FVS	FVV	FVT	FVTU	
				YE Original	YE Original	854680	YE Original	852141	YE Original	
REF. No.	DESCRIPTION	Q'TY.	Part No.	Part No.	Part No.	Part No.	Part No.	Part No.	Part No.	
1	BOLT	6	684310	684310	684310	684310	684310	684310	684310	
2	PLAIN WASHER	20	631329	631329	631329	631329	631329	631329	631329	
3	SPRING WASHER	14	681300	681300	681300	681300	681300	681300	681300	
4	NUT	14	687229	687229	687229	687229	687229	687229	687229	
5	O RING	8	684115	643027	643027	643027	643027	643027	643027	
6	VALVE GUIDE	4	771632	771632	771632	771632	771632	771632	771632	
7F	FLAT VALVE	4	771762	771762	771762	771762	771762	771762	771762	
8	VALVE SEAT	4	771633	771633	771633	771633	771633	771633	771633	
9	OUT CHAMBER	2	780120	780120	780120	780120	780120	780120	780120	
10	MANIFOLD	2	780055	780055	780055	780055	780055	780055	780055	
11	VALVE	1	686825	686825	686825	686825	686825	686825	686825	
12	FLANGED NUT	4	682276	682276	682276	682276	682276	682276	682276	
13	BOLT	4	611152	611152	611152	611152	611152	611152	611152	
14	BASE	2	771635	771635	771635	771635	771635	771635	771635	
16	BODY ASSY	1	803003	803003	803565	803003	803003	803003	802988TU	
16- 1	DIAPHRAGM	2	771848	771372	771972	770971-V	770933	770933	833027	
16- 2	O RING	2	640144	640144	640144	640144	640144	640144	640144	
16- 3	O RING	2	640020	640020	640020	640020	640020	640020	640020	
16- 4	PACKING	2	684284	684284	684284	684284	684284	684284	684284	
16- 5	GUIDE	1	771337	771337	771337	771337	771337	771337	771337	
16- 6	CENTER ROD	1	710578	710578	710578	710578	710578	710578	716573	
16- 7	BUSHING	2	771336	771336	771336	771336	771336	771336	771336	
16- 8	O RING	4	643005	—	—	643005	643005	643005	643005	
16- 9	CENTER DISK	2	771631	771631	771631	771631	771631	771631	—	
16-12	BODY A	1	780028	780028	780028	780028	780028	780028	780028	
16-13	GASKET	1	771347	771347	771347	771347	771347	771347	771347	
16-14	BODY B	1	780030	780030	780030	780030	780030	780030	780030	
16-15	CUSHION	2	771342	771342	771342	771342	771342	771342	771342	
16-16	CENTER DISK	2	771344	771344	771344	771344	771344	771344	020109	
16-17	CUSHION	1	771483	771483	771483	771483	771483	771483	771483	
16-18	SLEEVE ASSY	1	804249	804249	804249	804249	804249	804249	804249	
16-19	C SPOOL ASSY	1	802835	802835	802835	802835	802835	802835	802835	
16-20	CAP	1	771695	771695	771695	771695	771695	771695	771695	
16-21	O RING	1	640022	640022	640022	640022	640022	640022	640022	
16-22	RESET BUTTON	1	771350	771350	771350	771350	771350	771350	771350	
16-23	O RING	1	640002	640002	640002	640002	640002	640002	640002	
16-24	MESH	2	771589	771589	771589	771589	771589	771589	771589	
16-25	MUFFLER FELT	1	771465	771465	771465	771465	771465	771465	771465	
16-26	PILOT VALVE ASSY	2	832141	832141	832141	832141	832141	832141	832141	
16-28	SPRING	2	710577	710577	710577	710577	710577	710577	710577	
16-29	SPRING PIN	2	632752	632752	632752	632752	632752	632752	632752	
18	RUBBER FOOT	4	770551	770551	770551	770551	770551	770551	770551	
KIT	DIAPHRAGM		K15D-PE	K15D-PH-1	K15D-PS-1	K15D-PV	K15D-PT	K15D-PTU		
KIT	VALVE		K15V-VE	K15V-VT	K15V-VT	K15V-VV	K15V-VT	K15V-VT		
KIT	WET END REPAIR		K15-VE	K15-VH-1	K15-VS-1	K15-VV	K15-VT	K15-VTU		
KIT	AIR MOTOR		K10/15-AM							
KIT	AIR MOTOR SEAL		K10/15-AMS							

EXPLODED VIEW & PARTS LISTING

Air Operated Double Diaphragm pump



MODEL : NDP-15FV.

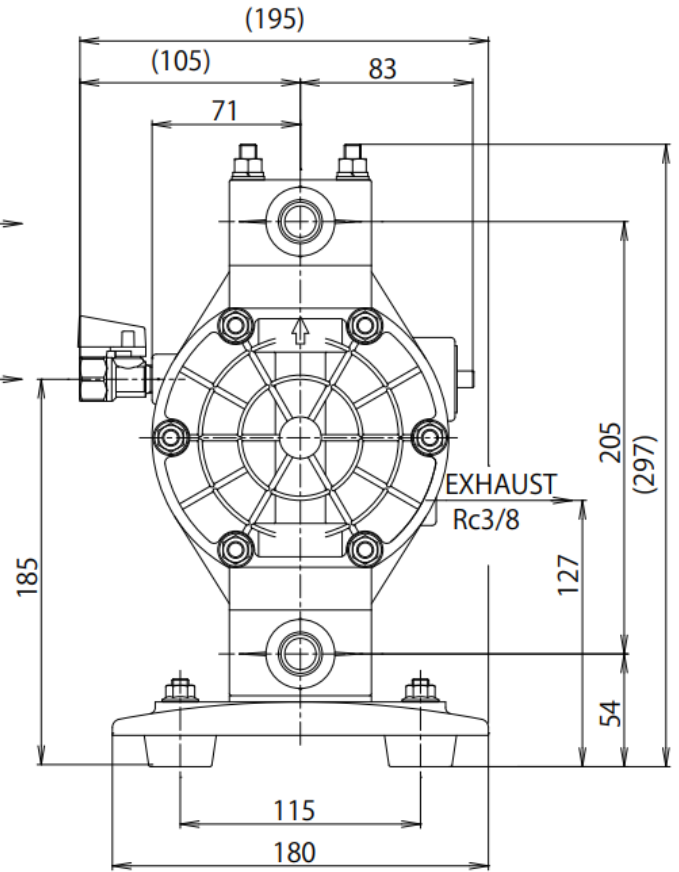
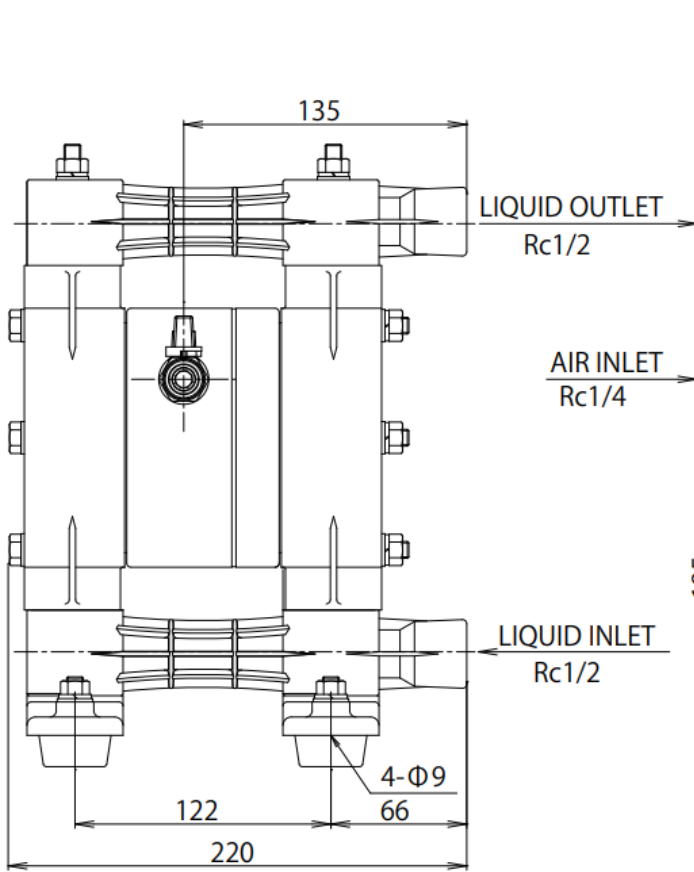
Model : NDP-15FV.

Yamada Europe B.V.



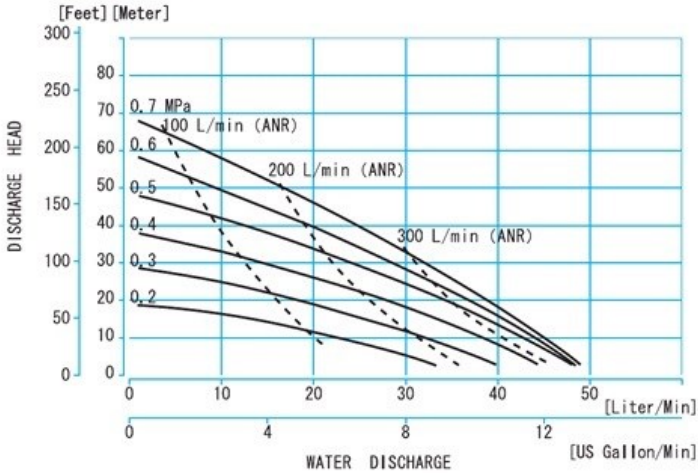
Material: PVDF (Conductive Polivinylidene Fluoride)

Diaphragm options	EPDM, TPEE, TPO, FKM, PTFE, TU
Max performance	45 L/min
Manifold connection	Rc 1/2"
Net Weight	4,3 kg



0,1MPa = 1Bar

NDP-15FP□,FV□



NDP-15FVTU

