

EXPLODED VIEW & PARTS LISTING

Air Operated Double Diaphragm pump

Model : NDP-20BA.

Yamada Europe B.V.



Material: Aluminium (ADC12)



To Purchase:

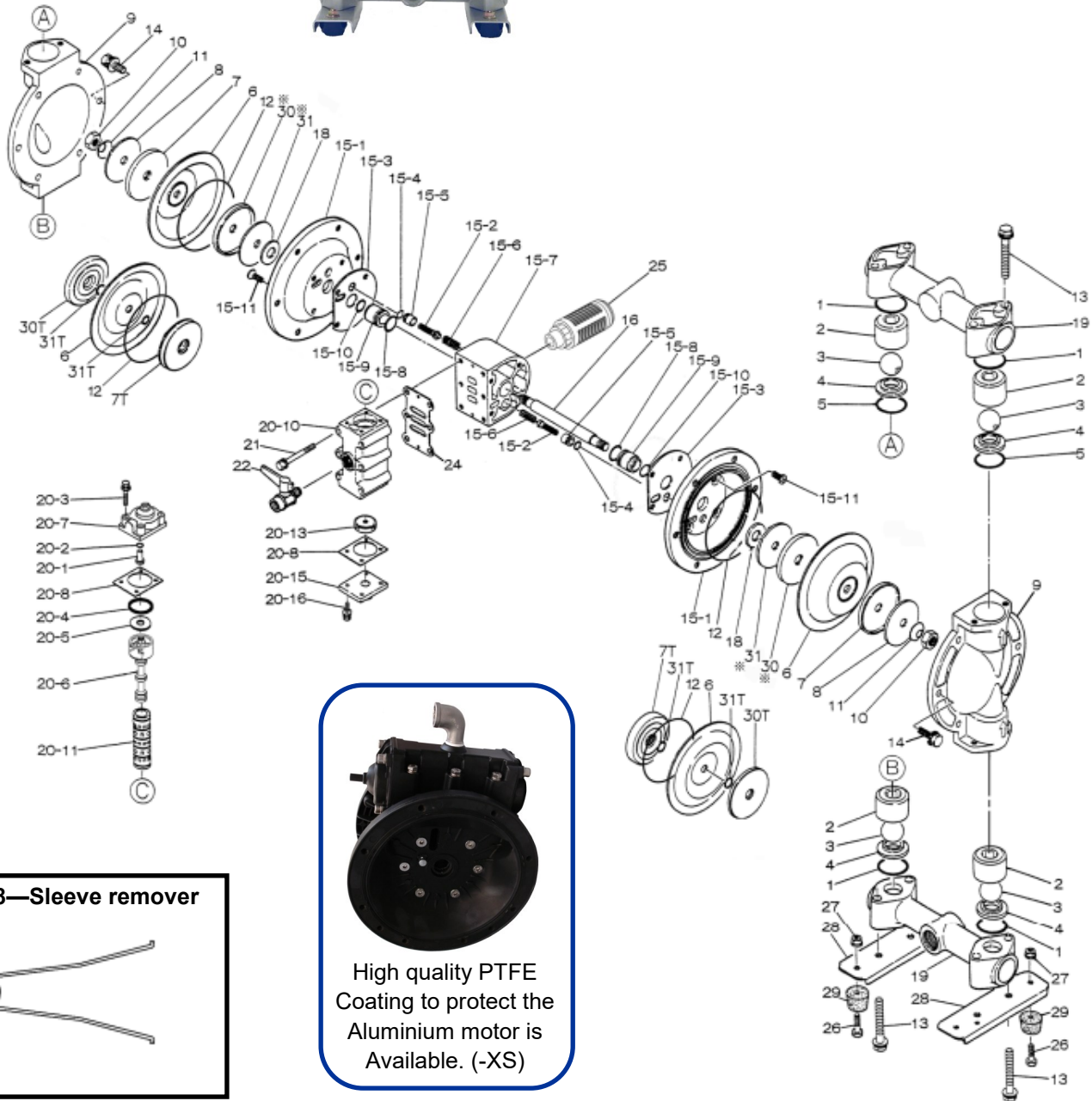
More information:

☎ 0031 (0)74 242 2032

▶ YouTube: [@yamadapump](https://www.youtube.com/@yamadapump)

✉ sales@yamada.nl

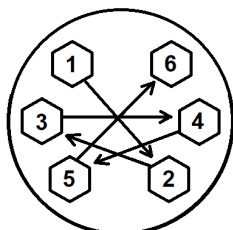
🌐 yamada-europe.com



713148—Sleeve remover



High quality PTFE Coating to protect the Aluminium motor is Available. (-XS)



Tighting torque for:

Center rod: 40 Nm
 Center rod TU: Hand tight
 Out chamber: 10/13 Nm
 Manifold: 10/20 Nm

Special tools (sold seperately)

713148 Sleeve remover

Miscellaneous:

Assembly oil: use turbine oil none additional class 1
 Equiv. to ISO VGA32 grade
 Use Urea grease grade NLGI No. 2

EXPLODED VIEW & PARTS LISTING

Air Operated Double Diaphragm pump

Model : NDP-20BA.

Yamada Europe B.V.



Material: Aluminium (ADC12)

DIAPHRAGM

Design

CR	NBR	EPDM	HYTREL	SANTOPRENE	FPM	PTFE	PTFE-EPDM
BAC	BAN	BAE	BAH	BAS	BAV	BAT	BATU
855007	855008	855009	855012	855013	855010	855011	YE Original



REF. No.	DESCRIPTION	Q'TY.	Part No.	Part No.	Part No.	Part No.	Part No.	Part No.	Part No.	Part No.	Part No.
1	O RING	4	640036	640036	684118	640036	684118	642036	643036	643036	643036
2	BALL GUIDE	4	711700	711700	711700	711700	711700	711700	711700	711700	711700
3	BALL	4	770705	770720	770723	773126	773170	770726	770736	770736	770736
4	VALVE SEAT	4	717447	717447	717447	717447	717447	717447	717447	717447	717447
5	O RING	2	640132	640132	684117	640132	684117	642132	771131	771131	771131
6	DIAPHRAGM	2	772957	772958	772959	771362	771973	772960	771083	832549	832549
7,7T	CENTER DISK	2	709153	709153	709153	709153	709153	709153	709456	—	—
8	WASHER	2	709152	709152	709152	709152	709152	709152	—	—	—
9	OUT CHAMBER	2	711686	711686	711686	711686	711686	711686	711686	711686	711686
10	NUT	2	682263	682263	682263	682263	682263	682263	682263	682263	—
11	CONED DISC SPRING	2	682730	682730	682730	682730	682730	682730	682730	682730	—
12	O RING	2	—	—	—	640151	640151	—	640151	640151	640151
13	BOLT & WASHER	8	686359	686359	686359	686359	686359	686359	686359	686359	686359
14	BOLT & WASHER	12	686355	686355	686355	686355	686355	686355	686355	686355	686355
15	BODY ASSY	1	804660	804660	804660	804660	804660	804660	804660	804660	804660
16	CENTER ROD	1	709163	709163	709163	709163	709163	709163	709163	709163	714674
18	CUSHION	2	771054	771054	771054	771054	771054	771054	771054	771054	771054
19	MANIFOLD ASSY	2	831243	831243	831243	831243	831243	831243	831243	831243	831243
20	VALVE BODY ASSY	1	802361	802361	802361	802361	802361	802361	802361	802361	802361
21	BOLT & WASHER	6	682265	682265	682265	682265	682265	682265	682265	682265	682265
22	VALVE	1	686967	686967	686967	686967	686967	686967	686967	686967	686967
24	GASKET	1	771056	771056	771056	771056	771056	771056	771056	771056	771056
25	MUFFLER	1	680913	680913	680913	680913	680913	680913	680913	680913	680913
26	BOLT	4	611148	611148	611148	611148	611148	611148	611148	611148	611148
27	FLANGED NUT	4	682276	682276	682276	682276	682276	682276	682276	682276	682276
28	BASE	2	709157	709157	709157	709157	709157	709157	709157	709157	709157
29	RUBBER FOOT	4	770551	770551	770551	770551	770551	770551	770551	770551	770551
30,30T	CENTER DISK	2	716225	716225	716225	716225	716225	716225	709314	772562	772562
31	WASHER	2	716226	716226	716226	716226	716226	716226	—	—	—
31T	O RING	4	—	—	—	—	—	—	643013	—	—
KIT	DIAPHRAGM		K20D-MC	K20D-MN	K20D-ME	K20D-MH	K20D-MS	K20D-MV	K20D-MT	K20D-MTU	K20D-MTU
KIT	VALVE		K20V-AC	K20V-AN	K20V-AE	K20V-AH	K20V-AS	K20V-AV	K20V-AT	K20V-AT	K20V-AT
KIT	WET END REPAIR		K20-MC-1	K20-MN-1	K20-ME-1	K20-MH-1	K20-MS-1	K20-MV-1	K20-MT-1	K20-MTU-1	K20-MTU-1
KIT	AIR MOTOR		K20/25-AM								
KIT	AIR MOTOR SEAL		K20/25-AMS								

EXPLODED VIEW & PARTS LISTING

Model : NDP-20BA.

Yamada Europe B.V.



Air Operated Double Diaphragm pump

Material: Aluminium (ADC12)



DIAPHRAGM

Design #

CR	NBR	EPDM	HYTREL	SANTOPRENE	FPM	PTFE	PTFE-EPDM
BAC	BAN	BAE	BAH	BAS	BAV	BAT	BATU
855007	855008	855009	855012	855013	855010	855011	YE Original

REF. No.	DESCRIPTION	Q'TY.	Part No.	Part No.	Part No.	Part No.	Part No.	Part No.	Part No.	Part No.
15- 1	AIR CHAMBER	2					715937			
15- 2	PILOT VALVE ASSY	2					802360			
15-2-1	PILOT VALVE SEAL	2					771374			
15- 3	GASKET	2					771057			
15- 4	O RING	2					640009			
15- 5	VALVE SEAT	2					771945			
15- 6	SPRING	2					708666			
15- 7	BODY	1					709154			
15- 8	O RING	2					685276			
*15- 9	THROAT BEARING	2					772703			
15-10	PACKING	2					685414			
15-11	BOLT	8					682486			
20- 1	RESET BUTTON	1					709161			
20- 2	O RING	1					640005			
20- 3	BOLT & WASHER	4					682704			
20- 4	PACKING	1					771241			
20- 5	WASHER	1					715961			
20- 6	C SPOOL ASSY	1					802400			
20- 7	CAP	1					710221			
20- 8	GASKET	2					771240			
20-10	VALVE BODY	1					711638			
20-11	SLEEVE ASSY	1					803931			
20-11-1	O RING SLEEVE	6					771080			
20-13	CUSHION	1					771914			
20-15	CAP	1					709305			
20-16	BOLT & WASHER	4					682262			
KIT	AIR MOTOR									K20/25-AM
KIT	AIR MOTOR SEAL									K20/25-AMS

! * Throat bearing position 15-9, 772703 is only available as an assembly. Positions 15-8, 15-9 and 15-10. Article code 020703

EXPLODED VIEW & PARTS LISTING

Air Operated Double Diaphragm pump



MODEL : NDP-20BA.

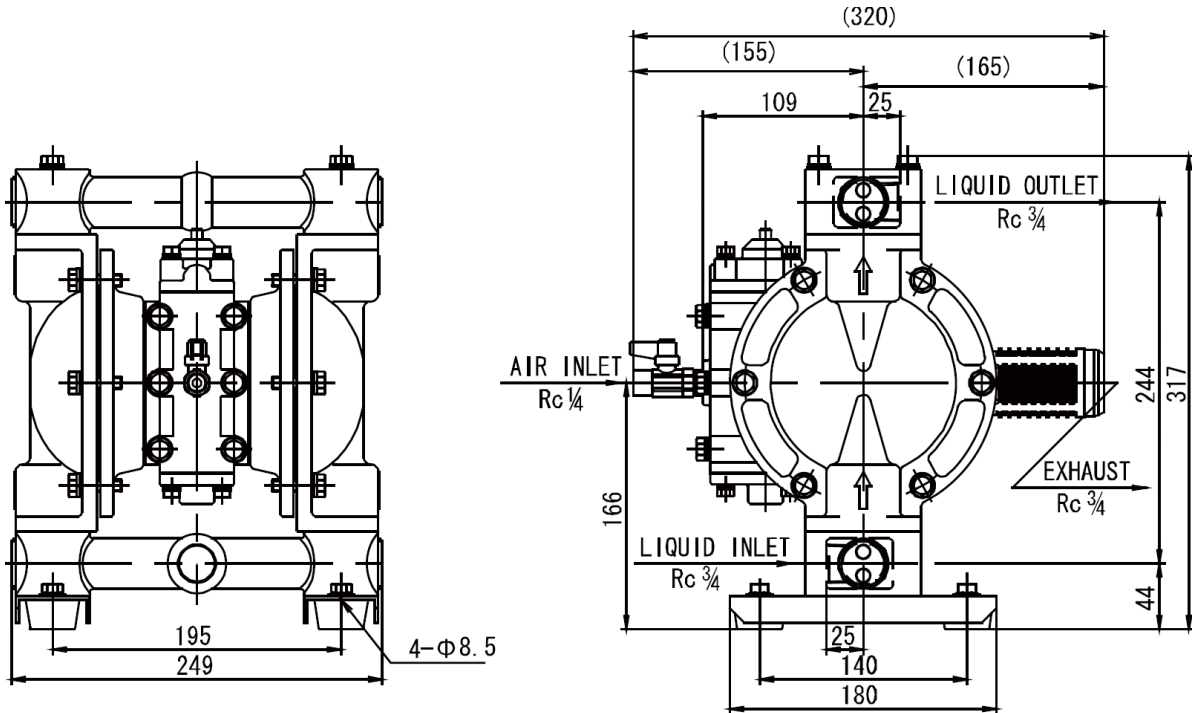
Model : NDP-20BA.

Yamada Europe B.V.



Material: Aluminium (ADC12)

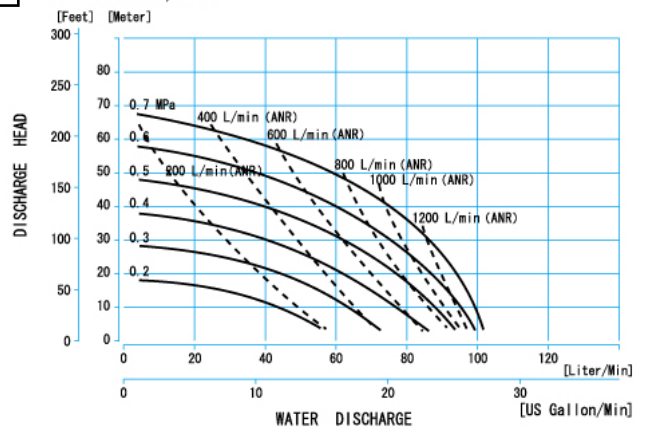
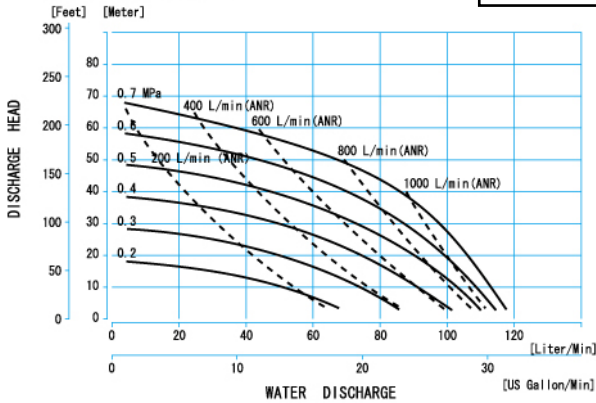
Diaphragm options	CR, EPDM, NBR, FPM, TPEE, TPO, PTFE, TU
Max performance	110 L/min (PTFE 100 L/min)
Manifold connection	Rc 3/4"
Net Weight	9,0 kg



NDP-20BA □, BS □

0,1MPa = 1Bar

NDP-20BAT, BST



NDP-20BATU

