

EXPLODED VIEW & PARTS LISTING

Air Operated Double Diaphragm pump

Model : NDP-40BP.

Yamada Europe B.V.



Material: PPG (Reinforced Polypropylene)



To Purchase:

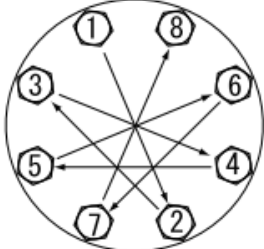
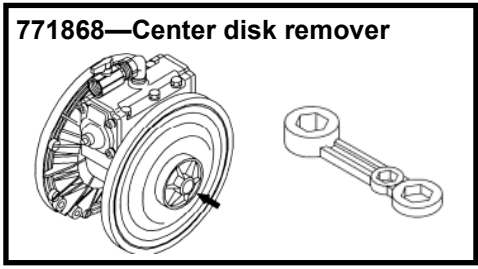
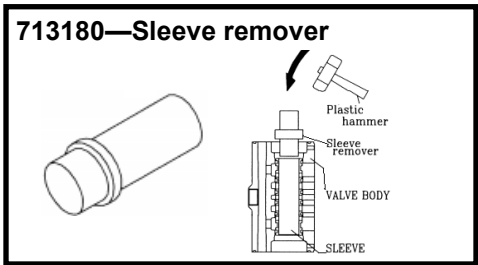
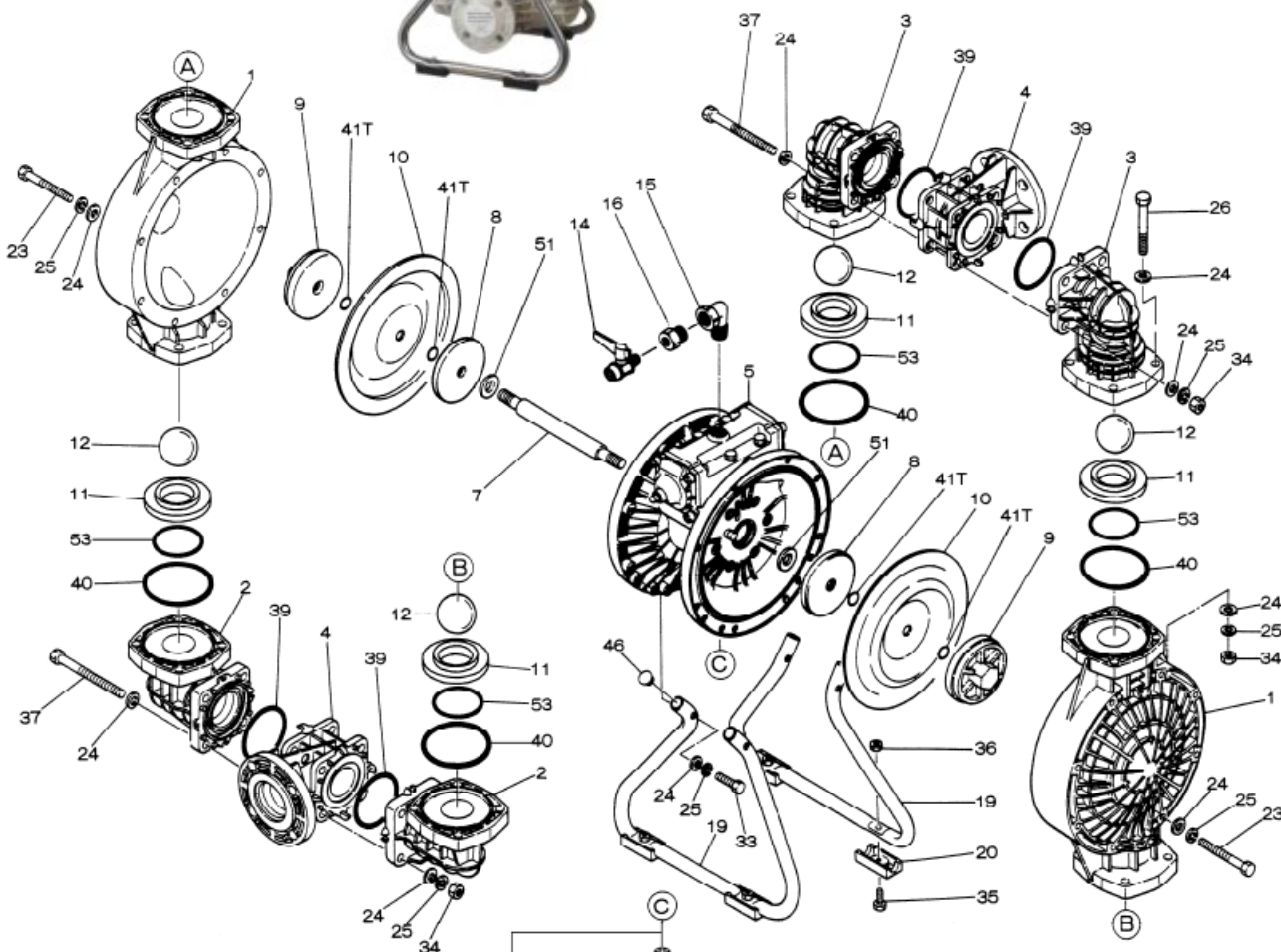
More information:

☎ 0031 (0)74 242 2032

▶ YouTube: [@yamadapump](https://www.youtube.com/@yamadapump)

✉ sales@yamada.nl

🌐 www.yamada-europe.com



Tighting torque for:

Center rod: 50 Nm
 Center rod TU: **Hand tight**
 Out chamber: 35 Nm
 Manifold: 20 Nm

Special tools (sold seperately)

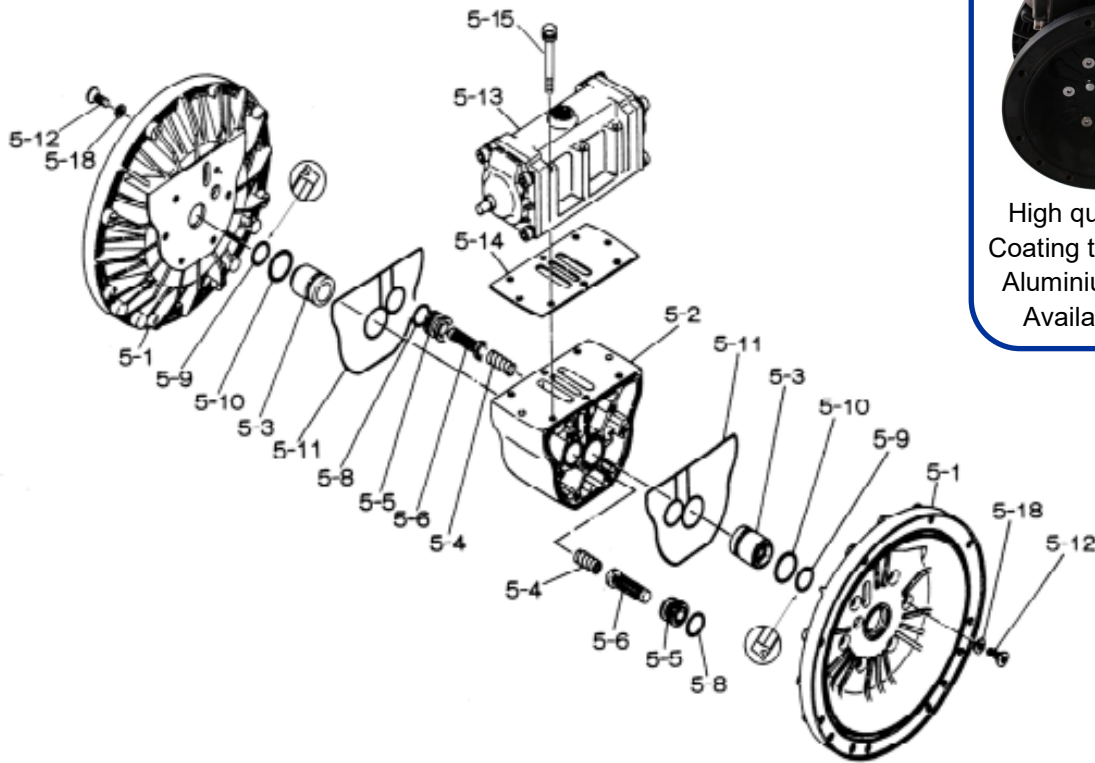
713180 Sleeve remover
 771868 Center rod remover

Miscellaneous:

Assembly oil: use turbine oil none additional class 1
 Equiv. to ISO VGA32 grade
 Use Urea grease grade NLGI No. 2

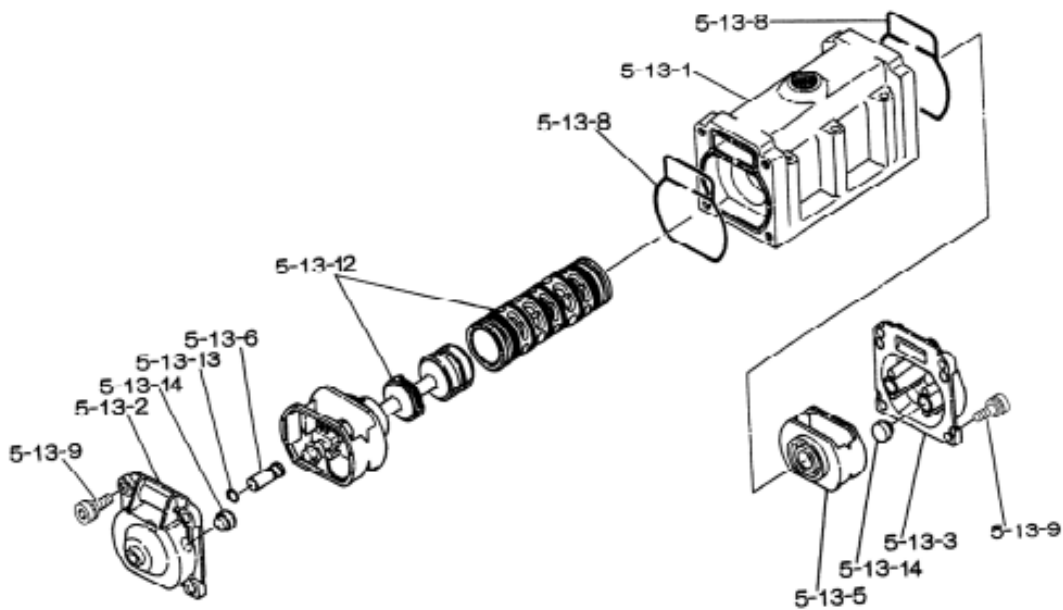


Body Assembly



High quality PTFE Coating to protect the Aluminium motor is Available. (-XS)

Valve Body Assembly



EXPLODED VIEW & PARTS LISTING

Model : NDP-40BP

Yamada Europe B.V.



Air Operated Double Diaphragm pump

Material: PPG (Reinforced Polypropylene)



Diaphragm

Design #

REF.No.	DESCRIPTION	Q-TY.	CR	NBR	EPDM	HYTREL	SANTOPRENE	FPM	PTFE	PTFE-EPDM
			BPC	BPN	BPE	BPH	BPS	BPV	BPT	BPTU
			852659	852326	852660	852327	852708	852312	852328	YE Original
Part No.	Part No.	Part No.	Part No.	Part No.	Part No.	Part No.	Part No.	Part No.	Part No.	
1	OUT CHAMBER	2	780147	780147	780147	780147	780147	780147	780147	780147
2	IN MANIFOLD	2	780244	780244	780244	780244	780244	780244	780244	780244
3	OUT MANIFOLD	2	780150	780150	780150	780150	780150	780150	780150	780150
4	CENTER MANIFOLD	2	780247	780247	780247	780247	780247	780247	780247	780247
5	BODY ASSY	1	803121	803121	803121	803121	803121	803121	803121	803121
5-1	AIR CHAMBER	2	711933	711933	711933	711933	711933	711933	711933	711933
5-2	BODY	1	711947	711947	711947	711947	711947	711947	711947	711947
*5-3	THROAT BEARING	2	772689	772689	772689	772689	772689	772689	772689	772689
5-4	SPRING	2	711937	711937	711937	711937	711937	711937	711937	711937
5-5	VALVE SEAT	2	771740	771740	771740	771740	771740	771740	771740	771740
5-6	PILOT VALVE ASSY	2	832162	832162	832162	832162	832162	832162	832162	832162
5-8	O RING	2	640020	640020	640020	640020	640020	640020	640020	640020
5-9	PACKING	2	685444	685444	685444	685444	685444	685444	685444	685444
5-10	O RING	2	640029	640029	640029	640029	640029	640029	640029	640029
5-11	GASKET	2	771742	771742	771742	771742	771742	771742	771742	771742
5-12	BOLT	12	683812	683812	683812	683812	683812	683812	683812	683812
5-13	VALVE BODY ASSY	1	803120	803120	803120	803120	803120	803120	803120	803120
5-13-1	VALVE BODY	1	711946	711946	711946	711946	711946	711946	711946	711946
5-13-2	CAP A	1	580999	580999	580999	580999	580999	580999	580999	580999
5-13-3	CAP B	1	581000	581000	581000	581000	581000	581000	581000	581000
5-13-5	SPRING RETAINER	1	771735	771735	771735	771735	771735	771735	771735	771735
5-13-6	RESET BUTTON	1	712976	712976	712976	712976	712976	712976	712976	712976
5-13-8	GASKET	2	771738	771738	771738	771738	771738	771738	771738	771738
5-13-9	BOLT	8	685036	685036	685036	685036	685036	685036	685036	685036
5-13-12	C SPOOL ASSY	1	805084	805084	805084	805084	805084	805084	805084	805084
5-13-13	O RING	1	640005	640005	640005	640005	640005	640005	640005	640005
5-13-14	CUSHION	4	684128	684128	684128	684128	684128	684128	684128	684128
5-14	GASKET	1	771712	771712	771712	771712	771712	771712	771712	771712
5-15	BOLT & WASHER	6	684240	684240	684240	684240	684240	684240	684240	684240
5-18	PLAIN WASHER	12	684987	684987	684987	684987	684987	684987	684987	684987
7	CENTER ROD	1	711900	711900	711900	711900	711900	711900	711939	717130
8	CENTER DISK	2	711902	711902	711902	711902	711902	711902	707817	717132
9	CENTER DISK	2	771725	771725	771725	771725	771725	771725	780323	-
10	DIAPHRAGM	2	771853	771700	771854	771701	771975	771799	770814	833223
11	VALVE SEAT	4	772096	772096	772096	772096	772096	772096	772096	772096
12	BALL	4	770550	770584	770593	773142	773172	770602	770692	770692
14	VALVE	1	686971	686971	686971	686971	686971	686971	686971	686971
15	ELBOW	1	634034	634034	634034	634034	634034	634034	634034	634034
16	BUSHING	1	634601	634601	634601	634601	634601	634601	634601	634601
19	STAND	2	711925	711925	711925	711925	711925	711925	711925	711925
20	RUBBER FOOT	4	771865	771865	771865	771865	771865	771865	771865	771865
23	BOLT	16	686156	686156	686156	686156	686156	686156	686156	686156
24	PLAIN WASHER	68	631330	631330	631330	631330	631330	631330	631330	631330
25	SPRING WASHER	44	680257	680257	680257	680257	680257	680257	680257	680257
26	BOLT	16	621183	621183	621183	621183	621183	621183	621183	621183
33	BOLT	4	621179	621179	621179	621179	621179	621179	621179	621179
34	NUT	24	628013	628013	628013	628013	628013	628013	628013	628013
35	BOLT	4	621149	621149	621149	621149	621149	621149	621149	621149
36	FLANGED NUT	4	683837	683837	683837	683837	683837	683837	683837	683837
37	BOLT	8	683542	683542	683542	683542	683542	683542	683542	683542
39	O RING	4	640060	640060	683998	640060	683998	642060	643060	643060
40	O RING	4	640064	640064	684121	640064	684121	642064	643064	643064
41T	O RING	4	-	-	-	-	-	-	643015	-
44	MUFFLER	1	804764	804764	804764	804764	804764	804764	804764	804764
46	CAP	4	683641	683641	683641	683641	683641	683641	683641	683641
51	CUSHION	2	770582	770582	770582	770582	770582	770582	-	773435
53	O RING	4	640136	640136	685447	640136	685447	642136	643136	643136
KIT	DIAPHRAGM		K40D-PC	K40D-PN	K40D-PE	K40D-PH	K40D-PS	K40D-PV	K40D-PT	K40D-PTU
KIT	VALVE		K40V-PC	K40V-PN	K40V-PE	K40V-PH	K40V-PS	K40V-PV	K40V-PT	K40V-PTU
KIT	WET END REPAIR		K40-PC	K40-PN	K40-PE	K40-PH	K40-PS	K40-PV	K40-PT	K40-PTU
KIT	AIR MOTOR									
KIT	AIR MOTOR SEAL									

! * Throat bearing position 5-3, 772689 is only available as an assembly. Positions 5-3, 5-9 and 5-10. Article code 020689

EXPLODED VIEW & PARTS LISTING

Air Operated Double Diaphragm pump



MODEL : NDP-40BP.

Model : NDP-40BP.

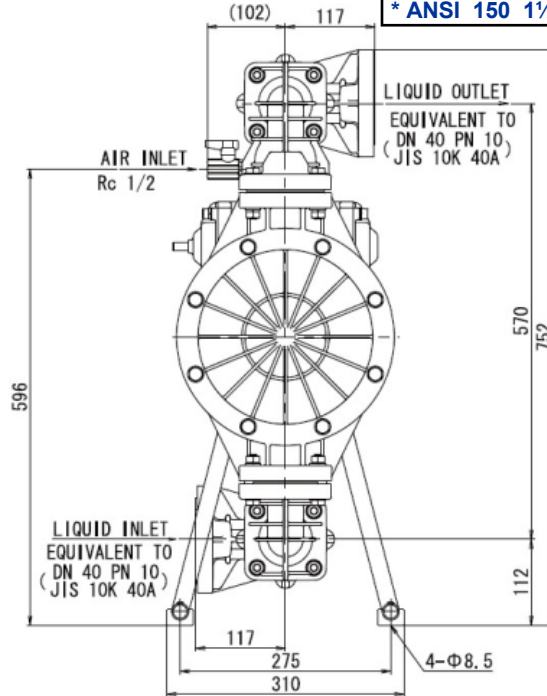
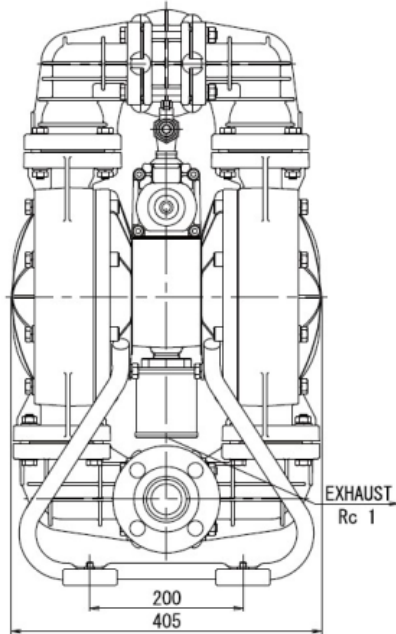
Yamada Europe B.V.



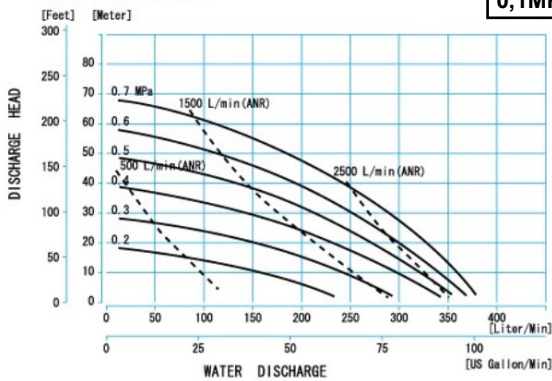
Material: PPG (Reinforced Polypropylene)

Diaphragm options	CR, EPDM, NBR, FPM, TPEE, TPO, PTFE, TU
Max performance	370 L/min (PTFE 330 L/min)
Manifold connection	* Equivalent to DIN; Flange DN40 PN10
Net Weight	27,0 kg (TU 26 kg)

* ANSI 150 1½ available on request

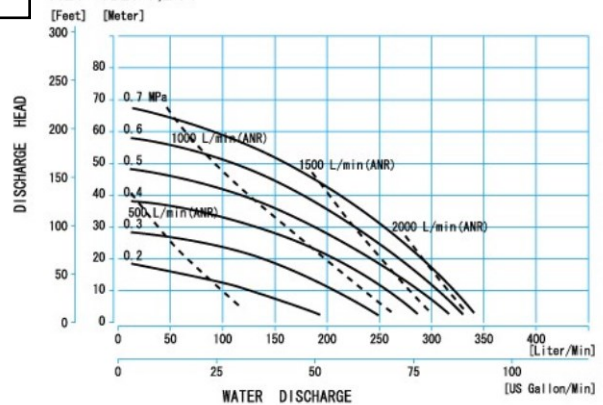


NDP-40BP □, BV □



0,1MPa = 1Bar

NDP-40BPT, BVT



NDP-40BPTU, BVTU

