

EXPLODED VIEW & PARTS LISTING

Air Operated Double Diaphragm pump

Model : NDP-40BS.

Yamada Europe B.V.



Material: Stainless steel 316 (SCS14)



To Purchase:

More information:



0031 (0)74 242 2032



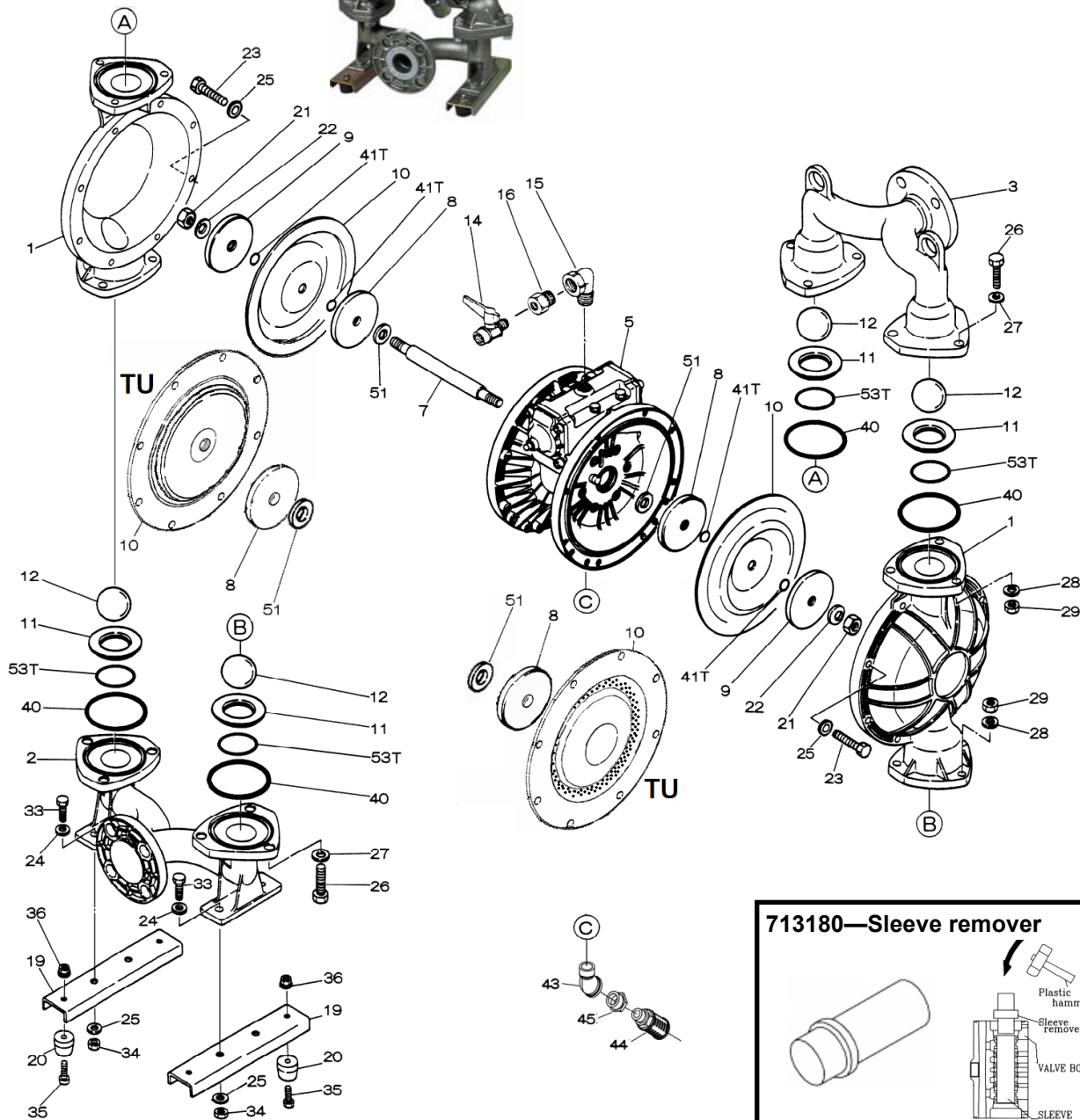
YouTube: [@yamadapump](https://www.youtube.com/@yamadapump)



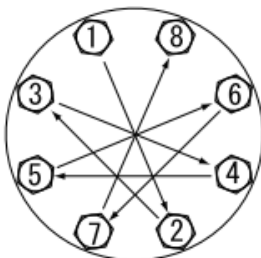
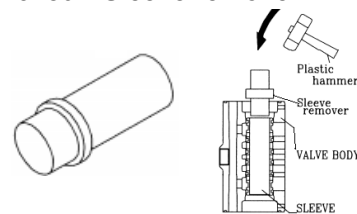
sales@yamada.nl



yamada-europe.com



713180—Sleeve remover



Tighting torque for:

Center rod: 60 Nm
 Center rod TU: Hand tight
 Out chamber: 40 Nm
 Manifold: 25 Nm

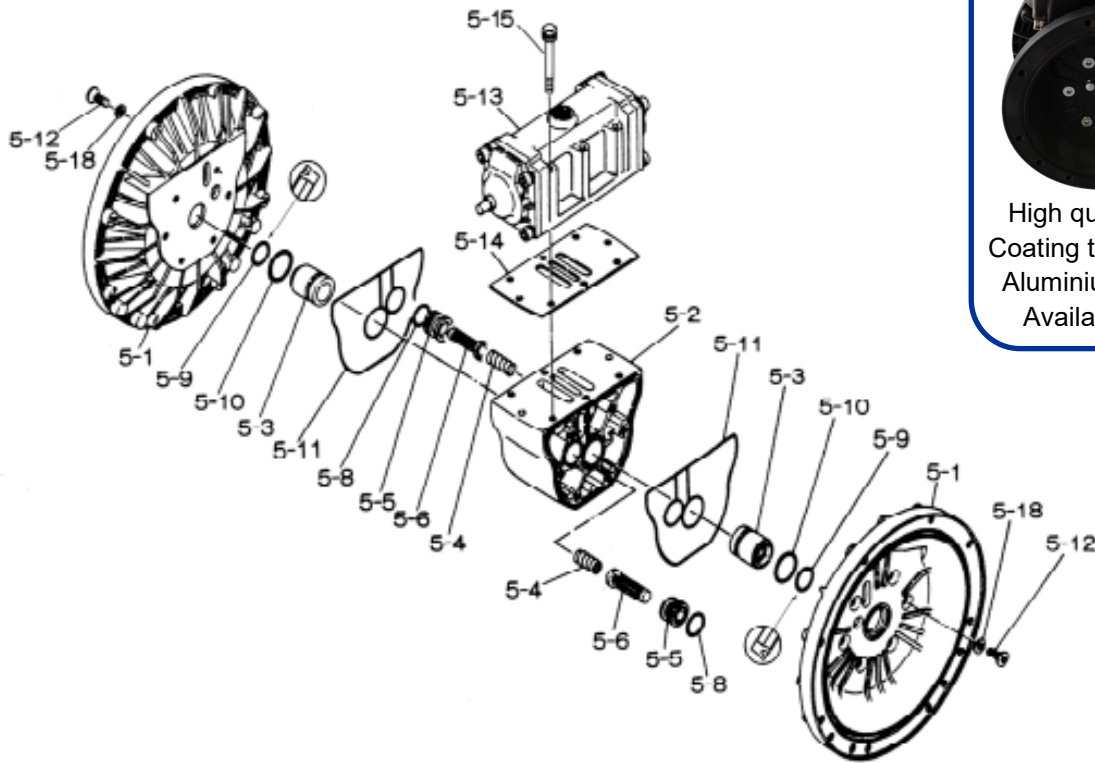
Special tools (sold separately)

713180 Sleeve remover

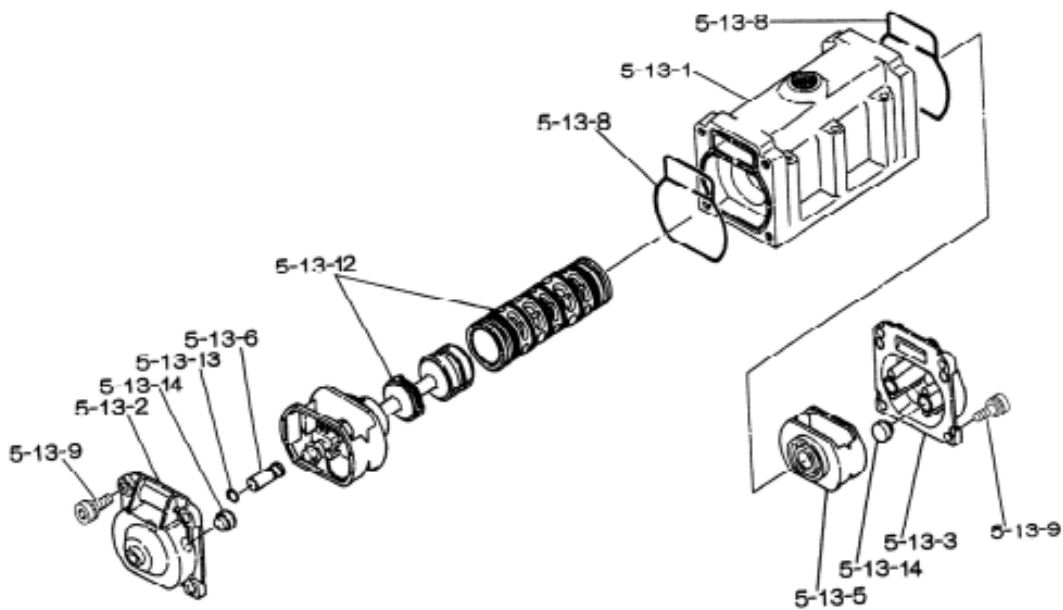
Miscellaneous:

Assembly oil: use turbine oil none additional class 1
 Equiv. to ISO VGA32 grade
 Use Urea grease grade NLGI No. 2

Body Assembly



Valve Body Assembly



EXPLODED VIEW & PARTS LISTING

Model : NDP-40BS.

Yamada Europe B.V.



Air Operated Double Diaphragm pump

Material: Stainless steel 316 (SCS14)

DIAPHRAGM

Design #



			CR	NBR	EPDM	HYTREL	SANTOPRENE	FPM	PTFE	PTFE-EPDM
			BSC	BSN	BSE	BSH	BSS	BSV	BST	BSTU
			855053	855054	855055	855058	855059	855056	855057	YE original
REF. No.	DESCRIPTION	Q'TY.	Part No.	Part No.	Part No.	Part No.	Part No.	Part No.	Part No.	Part No.
1	OUT CHAMBER	2	712931	712931	712931	712931	712931	712931	712931	712931
2	IN MANIFOLD	1	712610	712610	712610	712610	712610	712610	712610	712610
3	OUT MANIFOLD	1	712609	712609	712609	712609	712609	712609	712609	712609
5	BODY ASSY	1	803121	803121	803121	803121	803121	803121	803121	803121
5-1	AIR CHAMBER	2	711933	711933	711933	711933	711933	711933	711933	711933
5-2	BODY	1	711947	711947	711947	711947	711947	711947	711947	711947
*5-3	THROAT BEARING	2	772689	772689	772689	772689	772689	772689	772689	772689
5-4	SPRING	2	711937	711937	711937	711937	711937	711937	711937	711937
5-5	VALVE SEAT	2	771740	771740	771740	771740	771740	771740	771740	771740
5-6	PILOT VALVE ASSY	2	832162	832162	832162	832162	832162	832162	832162	832162
5-8	O RING	2	640020	640020	640020	640020	640020	640020	640020	640020
5-9	PACKING	2	685444	685444	685444	685444	685444	685444	685444	685444
5-10	O RING	2	640029	640029	640029	640029	640029	640029	640029	640029
5-11	GASKET	2	771742	771742	771742	771742	771742	771742	771742	771742
5-12	BOLT	12	683812	683812	683812	683812	683812	683812	683812	683812
5-13	VALVE BODY ASSY	1	803120	803120	803120	803120	803120	803120	803120	803120
5-13-1	VALVE BODY	1	711946	711946	711946	711946	711946	711946	711946	711946
5-13-2	CAP A	1	580999	580999	580999	580999	580999	580999	580999	580999
5-13-3	CAP B	1	581000	581000	581000	581000	581000	581000	581000	581000
5-13-5	SPRING RETAINER	1	771735	771735	771735	771735	771735	771735	771735	771735
5-13-6	RESET BUTTON	1	712976	712976	712976	712976	712976	712976	712976	712976
5-13-8	GASKET	2	771738	771738	771738	771738	771738	771738	771738	771738
5-13-9	BOLT	8	685036	685036	685036	685036	685036	685036	685036	685036
5-13-12	C SPOOL ASSY (C-spool + sleeve)	1	805084	805084	805084	805084	805084	805084	805084	805084
5-13-13	O RING	1	640005	640005	640005	640005	640005	640005	640005	640005
5-13-14	CUSHION	4	684128	684128	684128	684128	684128	684128	684128	684128
5-14	GASKET	1	771712	771712	771712	771712	771712	771712	771712	771712
5-15	BOLT & WASHER	6	684240	684240	684240	684240	684240	684240	684240	684240
5-18	PLAIN WASHER	12	684987	684987	684987	684987	684987	684987	684987	684987
7	CENTER ROD	1	711900	711900	711900	711900	711900	711900	711900	711900
8	CENTER DISK DRY ALU	2	711902	711902	711902	711902	711902	711902	707817	717132
9	CENTER DISK WET SUS	2	711903	711903	711903	711903	711903	711903	707818	-
10	DIAPHRAGM	2	771853	771700	771854	771701	771975	771799	770814	833223
11	VALVE SEAT RUBBER	4	771956	771994	771921	771793	772003	771997	-	-
11	VALVE SEAT SUS	4	-	-	-	-	-	-	711908	711908
12	BALL	4	770550	770584	770593	773142	773172	770602	770692	770692
14	VALVE	1	686971	686971	686971	686971	686971	686971	686971	686971
15	ELBOW	1	634034	634034	634034	634034	634034	634034	634034	634034
16	BUSHING	1	634601	634601	634601	634601	634601	634601	634601	634601
19	BASE	2	711911	711911	711911	711911	711911	711911	711911	711911
20	RUBBER FOOT	4	771402	771402	771402	771402	771402	771402	771402	771402
21	NUT	2	683408	683408	683408	683408	683408	706128	706128	-
22	CONED DISC SPRING	2	682740	682740	682740	682740	682740	682740	682740	-
23	BOLT	16	686162	686162	686162	686162	686162	686162	686162	686162
24	PLAIN WASHER	4	631014	631014	631014	631014	631014	631014	631014	631014
25	WAVE WASHER	20	631917	631917	631917	631917	631917	631917	631917	631917
26	BOLT	12	611203	611203	611203	611203	611203	611203	611203	611203
27	PLAIN WASHER	12	631015	631015	631015	631015	631015	631015	631015	631015
28	WAVE WASHER	12	631918	631918	631918	631918	631918	631918	631918	631918
29	NUT	12	627014	627014	627014	627014	627014	627014	627014	627014
33	BOLT	4	611175	611175	611175	611175	611175	611175	611175	611175
34	NUT	4	627013	627013	627013	627013	627013	627013	627013	627013
35	BOLT	4	611149	611149	611149	611149	611149	611149	611149	611149
36	FLANGED NUT	4	682276	682276	682276	682276	682276	682276	682276	682276
40	O RING	4	640065	640065	683999	642065	683999	640065	643065	643065
41T	O RING	4	-	-	-	-	-	-	643015	-
43	ELBOW	1	634050	634050	634050	634050	634050	634050	634050	634050
44	MUFFLER	1	680913	680913	680913	680913	680913	680913	680913	680913
45	BUSHING	1	634605	634605	634605	634605	634605	634605	634605	634605
51	CUSHION	2	770582	770582	770582	770582	770582	770582	-	773435
53T	O RING	4	-	-	-	-	-	-	643136	643136
KIT	DIAPHRAGM		K40D-MC	K40D-MN	K40D-ME	K40D-MH	K40D-MS	K40D-MV	K40D-MT	K40D-TU
KIT	VALVE		K40V-MC	K40V-MN	K40V-ME	K40V-MH	K40V-MS	K40V-MV	K40V-ST	K40V-ST
KIT	WET END REPAIR		K40-MC	K40-MN	K40-ME	K40-MH	K40-MS	K40-MV	K40-MT	K40-TU
KIT	AIR MOTOR		K40/50-AM							
KIT	AIR MOTOR SEAL		K40/50/80-AMS							

* Throat bearing position 5-3, 772689 is only available as an assembly. Positions 5-3, 5-9 and 5-10. Article code 020689

EXPLODED VIEW & PARTS LISTING

Model : NDP-40BS.

Yamada Europe B.V.



Air Operated Double Diaphragm pump

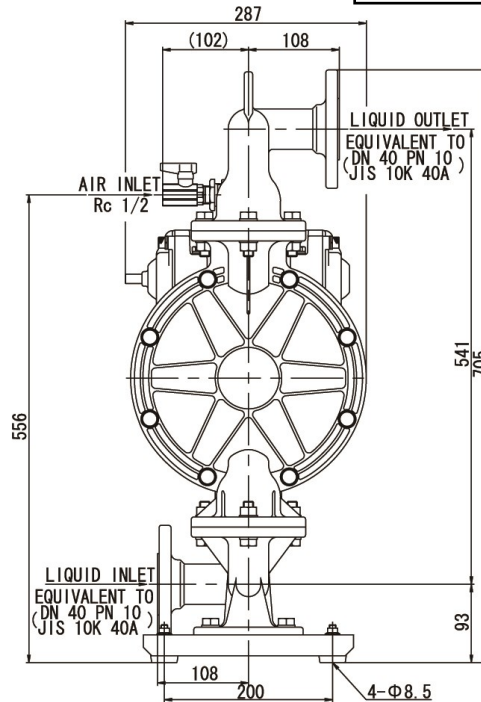
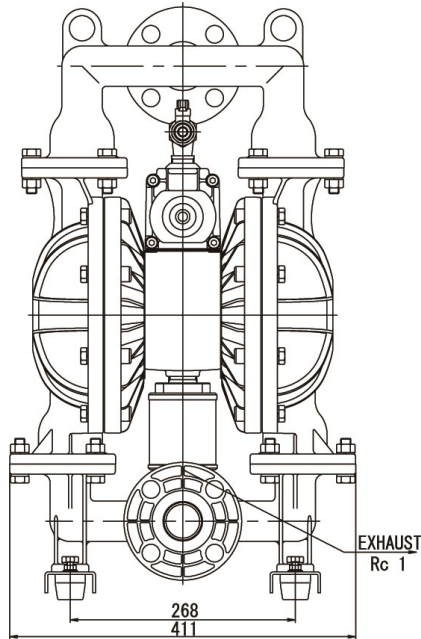


MODEL : NDP-40BS.

Material: Stainless steel 316 (SCS14)

Diaphragm options	CR, EPDM, NBR, FPM, TPEE, TPO, PTFE, TU
Max performance	400 L/min (PTFE 350 L/min)
Manifold connection	* Equivalent to DIN; Flange DN40 PN10 + Inner Rc 1,5"
Net Weight	42,8 kg (PTFE/TU 41,5 kg)

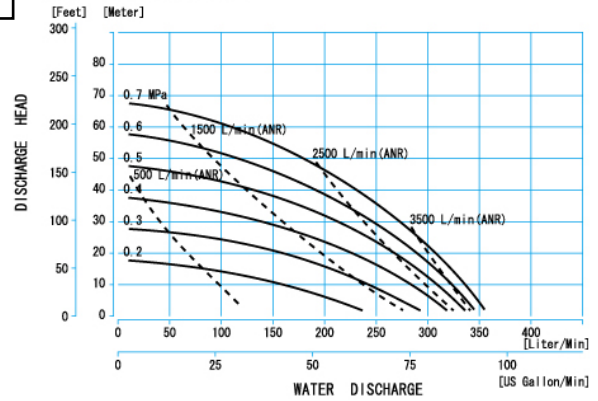
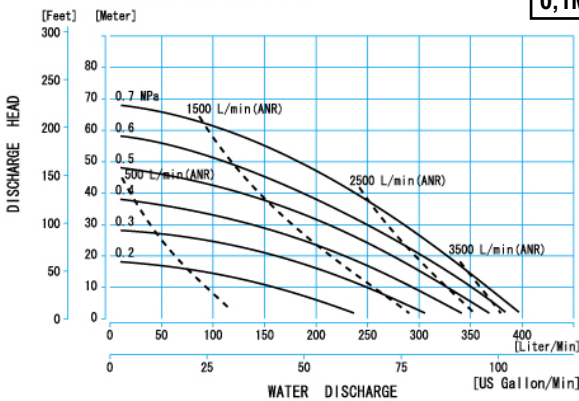
* ANSI 150 1½ available on request



NDP-40BA □, BS □, BF □

0,1MPa = 1Bar

NDP-40BAT, BST, BFT



NDP-40BATU, BFTU, BSTU

