

# EXPLODED VIEW & PARTS LISTING

## Air Operated Double Diaphragm pump

Model : NDP-40BV.

**Yamada** Europe B.V.



Material: PVDF (Conductive Polivinylidene Fluoride)



To Purchase:

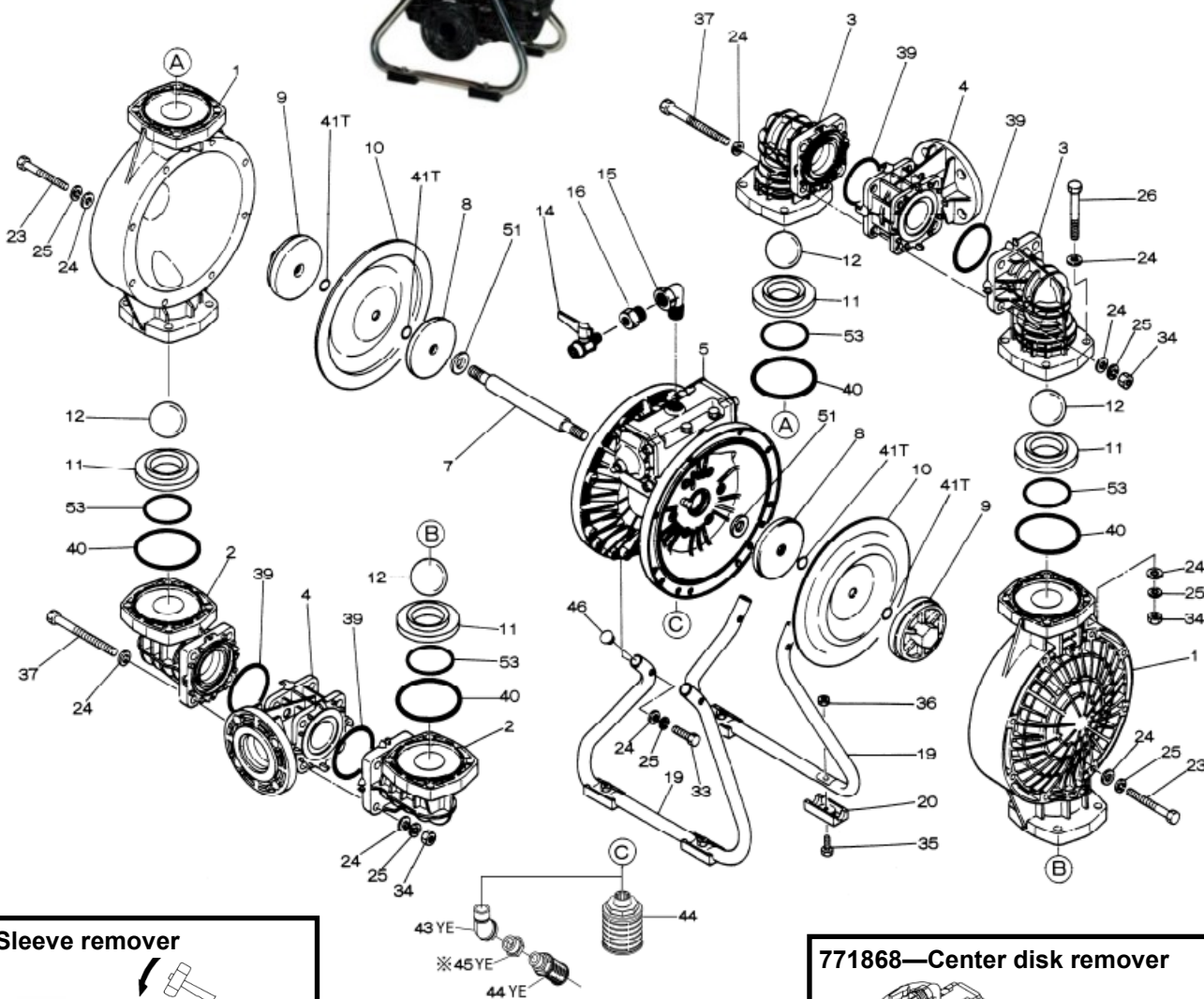
More information:

☎ 0031 (0)74 242 2032

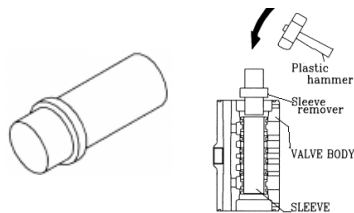
▶ YouTube: [@yamadapump](https://www.youtube.com/@yamadapump)

✉ [sales@yamada.nl](mailto:sales@yamada.nl)

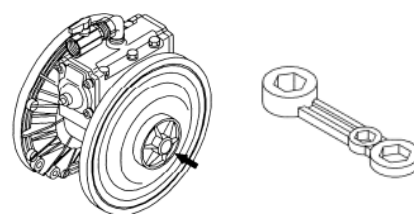
🌐 [yamada-europe.com](http://yamada-europe.com)



**713180—Sleeve remover**



**771868—Center disk remover**



### Tighting torque for:

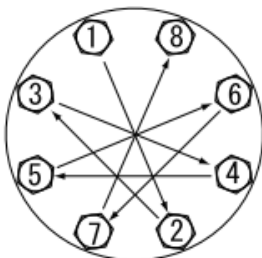
- Center rod: 50 Nm
- Center rod TU: **Hand tight**
- Out chamber: 35 Nm
- Manifold: 20 Nm

### Special tools (sold seperately)

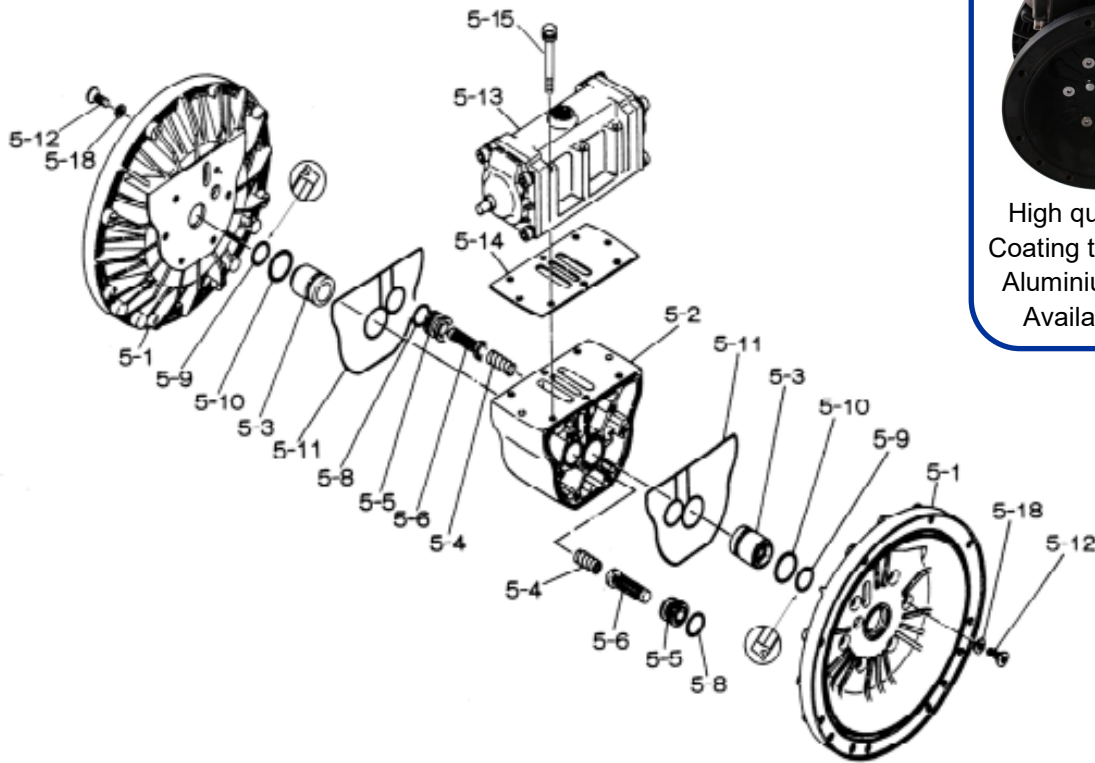
- 713180 Sleeve remover
- 771868 Center rod remover

### Miscellaneous:

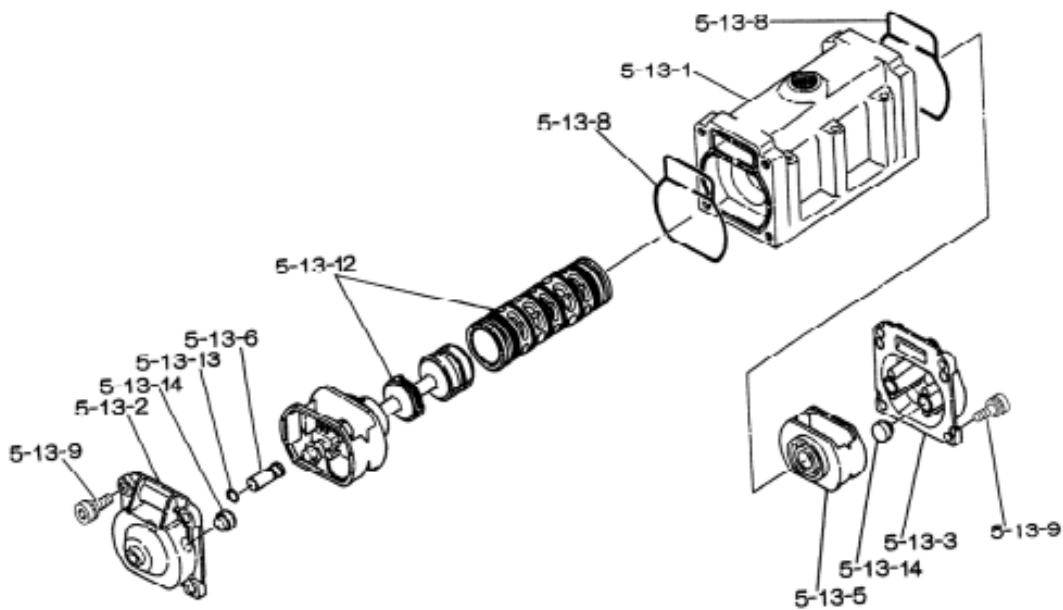
- Assembly oil: use turbine oil none additional class 1
- Equiv. to ISO VGA32 grade
- Use Urea grease grade NLGI No. 2



### Body Assembly



### Valve Body Assembly



# EXPLODED VIEW & PARTS LISTING

Model : NDP-40BV

**Yamada** Europe B.V.



## Air Operated Double Diaphragm pump

Material: PVDF (Conductive Polyvinylidene Fluoride)



Diaphragm

Design #

REF.No.	DESCRIPTION	Q'TY.	EPDM	SANTOPRENE	PTFE	EPDM-PTFE
			BVE	BVS	BVT	BVTU
			855067	855069	855068	YE Original
Part No.	Part No.	Part No.	Part No.	Part No.	Part No.	Part No.
1	OUT CHAMBER	2	780257	780257	780257	780257
2	IN MANIFOLD	2	780251	780251	780251	780251
3	OUT MANIFOLD	2	780258	780258	780258	780258
4	CENTER MANIFOLD	2	780219	780219	780219	780219
5	BODY ASSY	1	803121	803121	803121	803121
5- 1	AIR CHAMBER	2	711933	711933	711933	711933
5- 2	BODY	1	711947	711947	711947	711947
5- 3	THROAT BEARING	2	772689	772689	772689	772689
5- 4	SPRING	2	711937	711937	711937	711937
5- 5	VALVE SEAT	2	771740	771740	771740	771740
5- 6	PILOT VALVE ASSY	2	832162	832162	832162	832162
5- 8	O RING	2	640020	640020	640020	640020
5- 9	PACKING	2	685444	685444	685444	685444
5-10	O RING	2	640029	640029	640029	640029
5-11	GASKET	2	771742	771742	771742	771742
5-12	BOLT	12	683812	683812	683812	683812
5-13	VALVE BODY ASSY	1	803120	803120	803120	803120
5-13- 1	VALVE BODY	1	711946	711946	711946	711946
5-13- 2	CAP A	1	580999	580999	580999	580999
5-13- 3	CAP B	1	581000	581000	581000	581000
5-13- 5	SPRING RETAINER	1	771735	771735	771735	771735
5-13- 6	RESET BUTTON	1	712976	712976	712976	712976
5-13- 8	GASKET	2	771738	771738	771738	771738
5-13- 9	BOLT	8	685036	685036	685036	685036
5-13-12	C SPOOL ASSY	1	805084	805084	805084	805084
5-13-13	O RING	1	640005	640005	640005	640005
5-13-14	CUSHION	4	684128	684128	684128	684128
5-14	GASKET	1	771712	771712	771712	771712
5-15	BOLT & WASHER	6	684240	684240	684240	684240
5-18	PLAIN WASHER	12	684987	684987	684987	684987
7	CENTER ROD	1	711900	711900	711939	717130
8	CENTER DISK	2	711902	711902	707817	717132
9	CENTER DISK	2	772730	772730	780207	-
10	DIAPHRAGM	2	771854	771975	770814	833233
11	VALVE SEAT	4	772739	772739	772739	772739
12	BALL	4	770593	773172	770692	770692
14	VALVE	1	686971	686971	686971	686971
15	ELBOW	1	634034	634034	634034	634034
16	BUSHING	1	634601	634601	634601	634601
19	STAND	2	711925	711925	711925	711925
20	RUBBER FOOT	4	771865	771865	771865	771865
23	BOLT	16	686156	686156	686156	686156
24	PLAIN WASHER	68	631330	631330	631330	631330
25	SPRING WASHER	44	680257	680257	680257	680257
26	BOLT	16	621183	621183	621183	621183
33	BOLT	4	621179	621179	621179	621179
34	NUT	24	628013	628013	628013	628013
35	BOLT	4	621149	621149	621149	621149
36	FLANGED NUT	4	683837	683837	683837	683837
37	BOLT	8	683542	683542	683542	683542
39	O RING	4	683998	643060	643060	643060
40	O RING	4	684121	643064	643064	643064
41T	O RING	4	-	-	643015	-
43YE	ELBOW	1	634050	634050	634050	634050
44YE	MUFFLER	1	680913	680913	680913	680913
45YE	BUSHING	1	634605	634605	634605	634605
46	CAP	4	683641	683641	683641	683641
51	CUSHION	2	770582	-	770582	773435
53	O RING	4	685447	643136	643136	643136
KIT	DIAPHRAGM		K40D-PE	K40D-PS-1	K40D-PT	K40D-PTU
KIT	VALVE		K40V-VE	K40V-VS	K40V-VT	K40V-VT
KIT	WET END REPAIR		K40-PE	K40-VS-1	K40-PT	K40-PTU
KIT	AIR MOTOR					
KIT	AIR MOTOR SEAL					

! \* Throat bearing position 5-3, 772689 is only available as an assembly. Positions 5-3, 5-9 and 5-10. Article code 020689

# EXPLODED VIEW & PARTS LISTING

## Air Operated Double Diaphragm pump



**MODEL :** NDP-40BV.

Model : NDP-40BV.

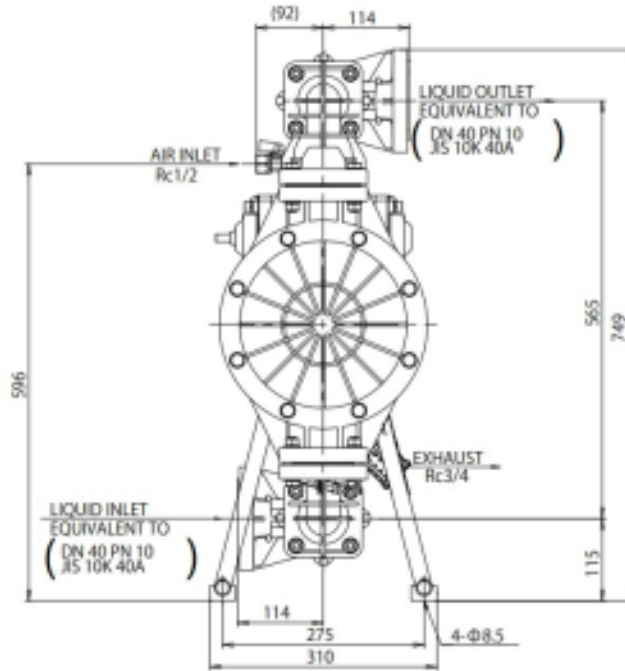
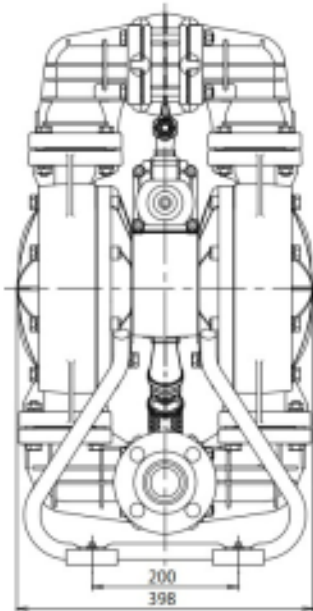
**Yamada** Europe B.V.



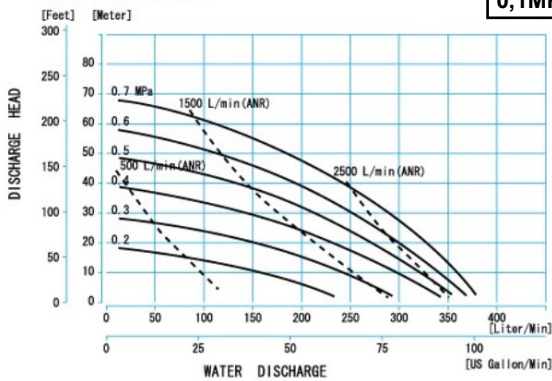
Material: PVDF (Conductive Polivinylidene Fluoride)

Diaphragm options	CR, EPDM, NBR, FPM, TPEE, TPO, PTFE, TU
Max performance	370 L/min (PTFE 330 L/min)
Manifold connection	* Equivalent to DIN; Flange DN40 PN10
Net Weight	32,0 kg (TU 31 kg)

\* ANSI 150 1½ available on request

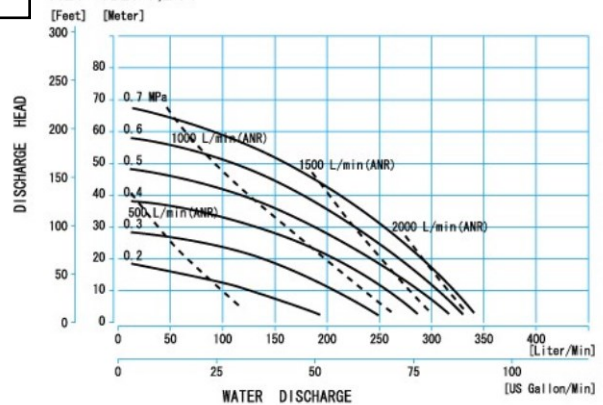


NDP-40BP □, BV □



0,1MPa = 1Bar

NDP-40BPT, BVT



NDP-40BPTU, BVTU

