

EXPLODED VIEW & PARTS LISTING

Air Operated Double Diaphragm pump

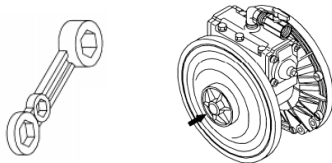
Model : NDP-50BV.

Yamada Europe B.V.

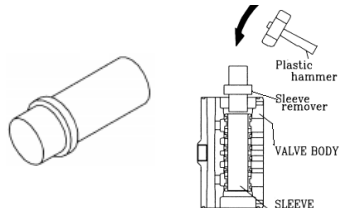


Material: PVDF (Polyvinylidene fluoride Conductive)

Special tools sold separately:
771868—Disk remover



713180—Sleeve remover



To Purchase:

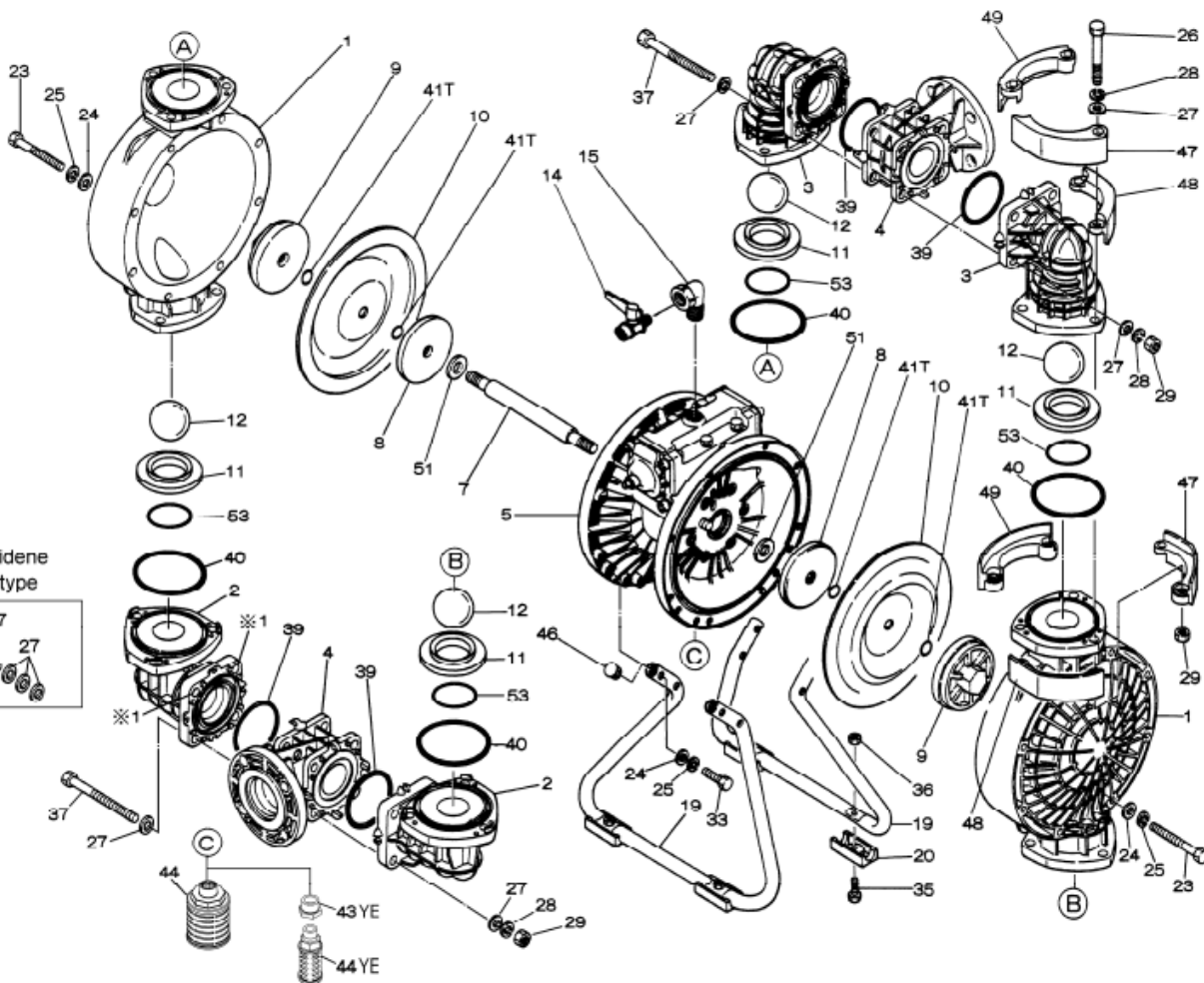
☎ 0031 (0)74 242 2032

✉ sales@yamada.nl

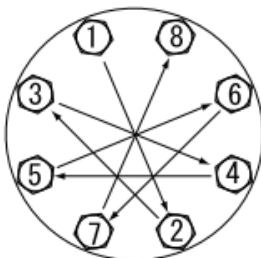
More information:

▶ YouTube: [@yamadapump](https://www.youtube.com/@yamadapump)

🌐 yamada-europe.com



Polyvinylidene fluoride type



Tighting torque for:

Center rod: 50 Nm
Center rod TU: Hand tight
Out chamber: 35 Nm
Manifold: 25 Nm

Special tools (sold seperately)

771868 Disk remover
713180 Sleeve remover

Miscellaneous:

Assembly oil: use turbine oil none additional class 1
Equiv. to ISO VGA32 grade
Use Urea grease grade NLGI No. 2

EXPLODED VIEW & PARTS LISTING

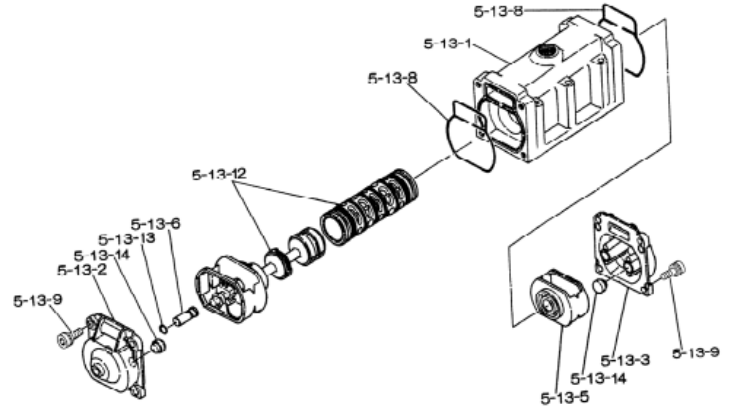
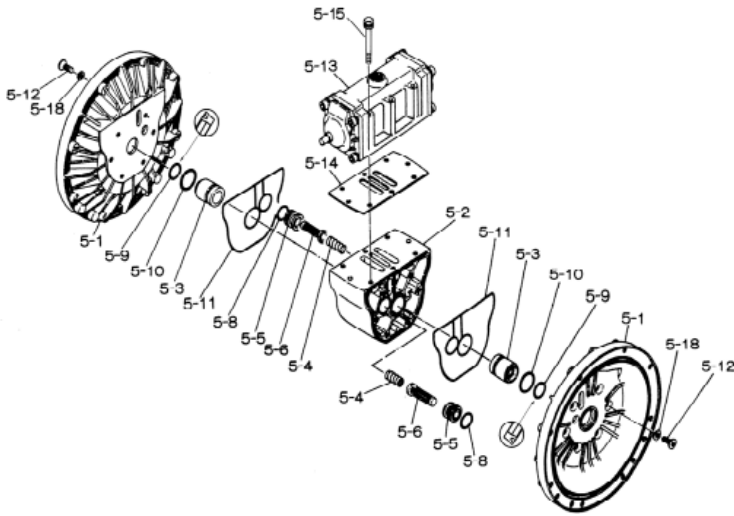
Air Operated Double Diaphragm pump Body Assembly

Model : NDP-50BV.

Yamada Europe B.V.



Material: PVDF (Polyvinylidene fluoride Conductive)



DIAPHRAGM

Design #

EPDM	HYTREL	SANTOPRENE	FPM	PTFE	PTFE-EPDM
BVE	BVH	BVS	BVV	BVT	BVTU
855084	855087	855088	855085	855086	YE Original

REF. No.	DESCRIPTION	Q'TY.	Part No.
5- 1	AIR CHAMBER	2	711934
5- 2	BODY	1	711947
*5- 3	THROAT BEARING	2	772689
5- 4	SPRING	2	711937
5- 5	VALVE SEAT	2	771740
5- 6	PILOT VALVE ASSY	2	832162
5- 8	O RING	2	640020
5- 9	PACKING	2	685444
5-10	O RING	2	640029
5-11	GASKET	2	771742
5-12	BOLT	12	683812
5-13	VALVE BODY ASSY	1	803120
5-13- 1	VALVE BODY	1	711946
5-13- 2	CAP A	1	580999
5-13- 3	CAP B	1	581000
5-13- 5	SPRING RETAINER	1	771735
5-13- 6	RESET BUTTON	1	712976
5-13- 8	GASKET	2	771738
5-13- 9	BOLT	8	685036
5-13-12	C SPOOL ASSY	1	805084
15-13-12-1	O RING SLEEVE	6	640037
5-13-13	O RING	1	640005
5-13-14	CUSHION	4	684128
5-14	GASKET	1	771712
5-15	BOLT & WASHER	6	684240
5-18	PLAIN WASHER	12	684987
KIT	AIR MOTOR		K40/50-AM
KIT	AIR MOTOR SEAL		K40/50/80-AMS

! * Throat bearing position 5-3, 772689 is only available as an assembly. Positions 5-3, 5-9 and 5-10. Article code 020689

EXPLODED VIEW & PARTS LISTING

Air Operated Double Diaphragm pump

Model : NDP-50BV.

Yamada Europe B.V.



Material: PVDF (Polyvinylidene fluoride Conductive)

DIAPHRAGM

Design #

EPDM	HYTREL	SANTOPRENE	FPM	PTFE	PTFE-EPDM
BVE	BVH	BVS	BVV	BVT	BVTU
855084	855087	855088	855085	855086	YE Original



REF. No.	DESCRIPTION	Q'TY.	Part No.	Part No.	Part No.	Part No.	Part No.	Part No.
1	OUT CHAMBER	2	780153	780153	780153	780153	780153	780153
2	IN MANIFOLD	2	780252	780252	780252	780252	780252	780252
3	OUT MANIFOLD	2	780154	780154	780154	780154	780154	780154
4	CENTER MANIFOLD	2	780115	780115	780115	780115	780115	780115
5	BODY ASSY	1	803122	803122	803122	803122	803122	803122
7	CENTER ROD	1	711900	711900	711900	711900	711939	717130
8	CENTER DISK	2	711904	711904	711904	711904	707822	717133
9	CENTER DISK	2	771901	771901	771901	771901	780116	—
10	DIAPHRAGM	2	771856	771703	771976	771800	770815	833220
11	VALVE SEAT	4	772100	772100	772100	772100	772100	772100
12	BALL	4	770633	773143	773173	770636	770693	770693
14	VALVE	1	686973	686973	686973	686973	686973	686973
15	ELBOW	1	634034	634034	634034	634034	634034	634034
19	STAND	2	711926	711926	711926	711926	711926	711926
20	RUBBER FOOT	4	771865	771865	771865	771865	771865	771865
23	BOLT	16	686156	686156	686156	686156	686156	686156
24	PLAIN WASHER	24	631330	631330	631330	631330	631330	631330
25	SPRING WASHER	24	680257	680257	680257	680257	680257	680257
26	BOLT	12	621213	621213	621213	621213	621213	621213
27	PLAIN WASHER	32	631331	631331	631331	631331	631331	631331
28	SPRING WASHER	20	680607	680607	680607	680607	680607	680607
29	NUT	20	628014	628014	628014	628014	628014	628014
33	BOLT	8	621179	621179	621179	621179	621179	621179
35	BOLT	4	621149	621149	621149	621149	621149	621149
36	FLANGED NUT	4	683837	683837	683837	683837	683837	683837
37	BOLT	8	684592	684592	684592	684592	684592	684592
39	O RING	4	684121	771899	771899	642064	771899	771899
40	O RING	4	684122	772063	772063	642069	772063	772063
41T	O RING	4	—	—	—	—	643015	—
43YE	BUSHING	1	634605	634605	634605	634605	634605	634605
44YE	MUFFLER	1	680913	680913	680913	680913	680913	680913
46	CAP	4	683641	683641	683641	683641	683641	683641
47	PROTECTOR A	8	771786	771786	771786	771786	771786	771786
48	PROTECTOR B	8	771787	771787	771787	771787	771787	771787
49	PROTECTOR C	8	771788	771788	771788	771788	771788	771788
51	CUSHION	2	770582	770582	770582	770582	—	773435
53	O RING	4	685448	643139	643139	642139	643139	643139
KIT	DIAPHRAGM		K50D-PE	K50D-VH	K50D-VS	K50D-PV	K50D-VT	K50D-VTU
KIT	VALVE		K50V-VE	K50V-VH	K50V-VS	K50V-VV	K50V-VT	K50V-VT
KIT	WET END REPAIR		K50-PE	K50-VH	K50-VS	K50-PV	K50-VT	K50-VTU

EXPLODED VIEW & PARTS LISTING

Air Operated Double Diaphragm pump



MODEL : NDP-50BV.

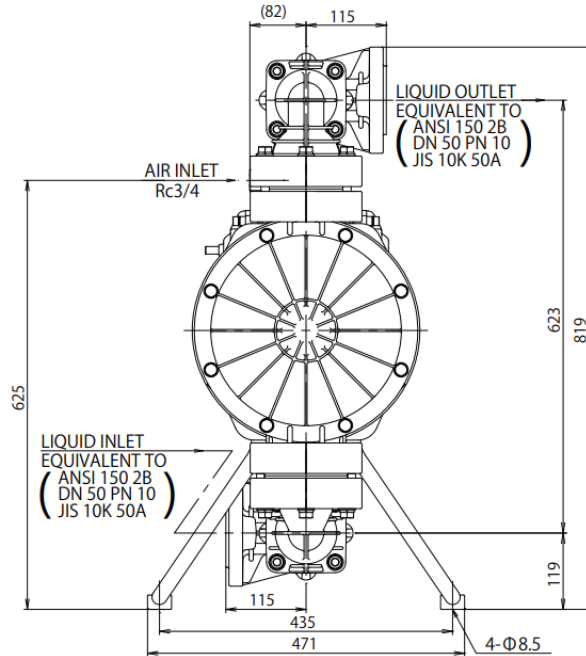
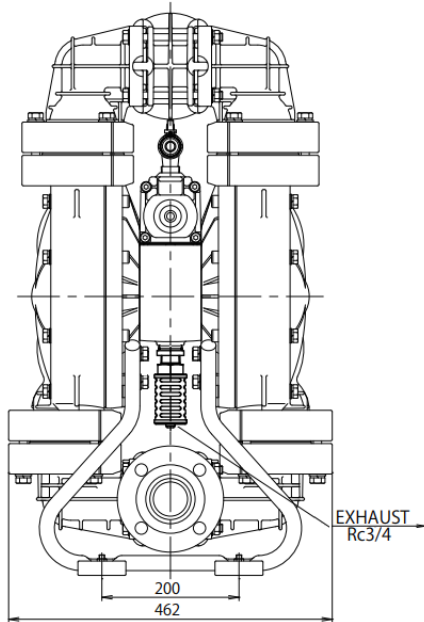
Model : NDP-50BV.

Yamada Europe B.V.



Material: PVDF (Polyvinylidene fluoride Conductive)

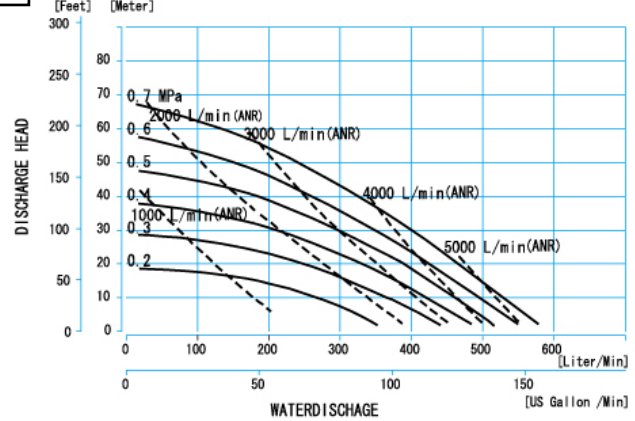
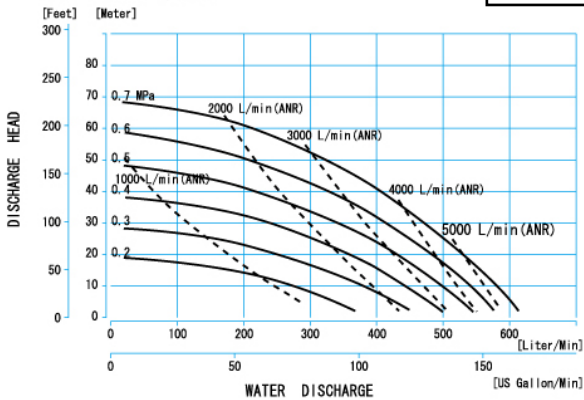
Diaphragm options	EPDM, FPM, TPEE, TPO, PTFE, EPDM, TU
Max performance	600 L/min (PTFE 550 L/min)
	Equivalent to DIN; Flange DN50 PN10 + Inner Rc 2"
Manifold connection	
Net Weight	41,0 kg (PTFE 35,0 kg)



NDP-50BP , BV

0,1MPa = 1Bar

NDP-50BPT,BVT



NDP-50BVTU

