

EXPLODED VIEW & PARTS LISTING

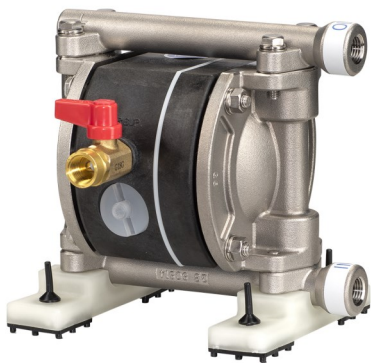
Air Operated Double Diaphragm pump

Model : NDP-5FST

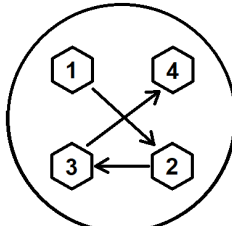
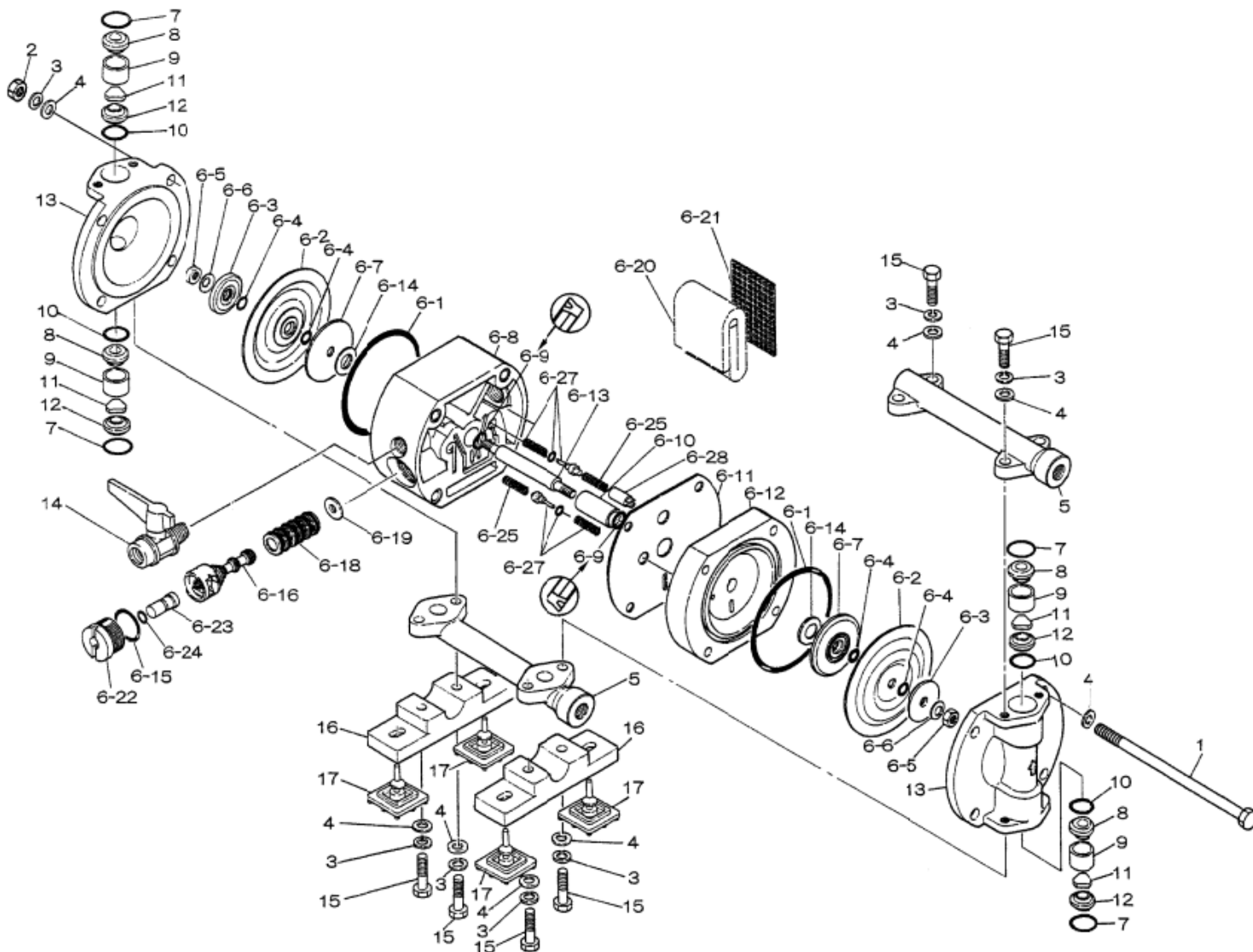
Yamada Europe B.V.



Material : Stainless steel 316 (SCS14)



To Purchase:	More information:
☎ 0031 (0)74 242 2032	▶ YouTube: @yamadapump
✉ sales@yamada.nl	🌐 yamada-europe.com



Tighting torque for:
 Center rod: 7,5Nm
 Out chamber: 7,5Nm
 Manifold: 7,5Nm

Special tools (sold seperately)
 713148 Sleeve remover

Miscellaneous:
 Assembly oil;
 use turbine oil none additional class 1
 Equiv. to ISO VGA32 grade
 Use Urea grease grade NLGI No. 2

EXPLODED VIEW & PARTS LISTING

Model : NDP-5FST

Yamada Europe B.V.



Air Operated Double Diaphragm pump

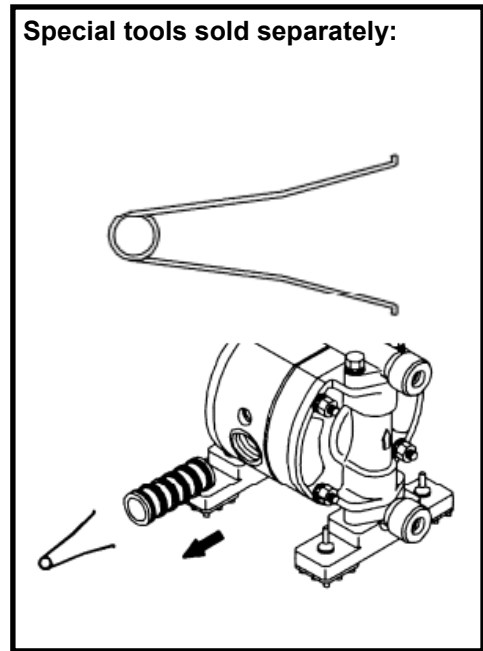
Material : Stainless steel 316 (SCS14)



MODEL : NDP-5FST

Design #: 851497

REF. No.	DESCRIPTION	Q'TY.	Part No.
1	BOLT	4	682528
2	NUT	4	687229
3	SPRING WASHER	12	681855
4	PLAIN WASHER	16	631328
5	MANIFOLD	2	831274
6	BODY ASSY	1	802048
6- 1	O RING	2	640139
6- 2	DIAPHRAGM	2	771093
6- 3	CENTER DISK	2	709476
6- 4	O RING	4	643003
6- 5	NUT	2	683391
6- 6	CONED DISC SPRING	2	684915
6- 7	CENTER DISK	2	709317
6- 8	BODY (L)	1	780000
6- 9	PACKING	2	685752
6-10	BUSHING	1	771088
6-11	GASKET	1	771980
6-12	BODY (S)	1	780001
6-13	CENTER ROD	1	709316
6-14	CUSHION	2	771239
6-15	O RING	1	640017
6-16	C SPOOL ASSY	1	802386
6-18	SLEEVE ASSY	1	803214
6-19	CUSHION	1	771096
6-20	MUFFLER FELT	1	771465
6-21	MESH	1	771589
6-22	CAP	1	771100
6-23	RESET BUTTON	1	771099
6-24	O RING	1	640002
6-25	SPRING	2	709319
6-27	PILOT VALVE ASSY	2	803510
6-28	STOPPER	1	771095
7	O RING	4	643015
8	VALVE STOPPER	4	709634
9	VALVE GUIDE	4	709635
10	O RING	4	771133
11	FLAT VALVE	4	771152
12	VALVE SEAT	4	709637
13	OUT CHAMBER	2	709467
14	VALVE	1	686825
15	BOLT	8	621103
16	BASE	2	771101
17	RUBBER FOOT	4	771102
KIT	DIAPHRAGM		K5D-MT
KIT	VALVE		K5V-MT
KIT	WET END REPAIR		K5-MT
KIT	AIR MOTOR		K5-AM
KIT	AIR MOTOR SEAL		K5-AMS



EXPLODED VIEW & PARTS LISTING

Air Operated Double Diaphragm pump

Model : NDP-5FST

Yamada Europe B.V.

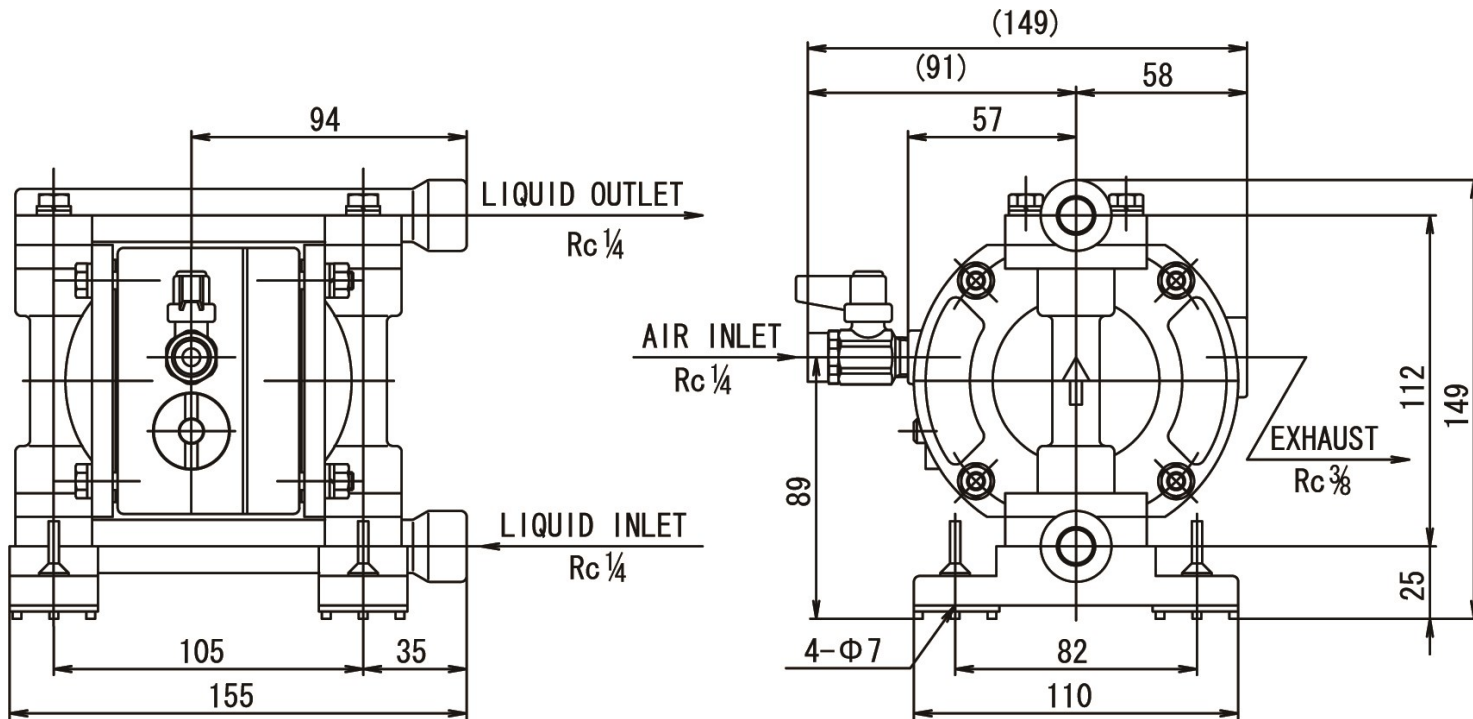


Material : Stainless steel 316 (SCS14)



MODEL : NDP-5FST

Diaphragm options	PTFE
Max performance	11 L/min
Manifold connection	1/4" Rc
Net Weight	2,7 kg



0,1MPa = 1Bar

