

# EXPLODED VIEW & PARTS LISTING

## Air Operated Double Diaphragm pump

Model : NDP-5FVT

**Yamada** Europe B.V.



Material : PVDF (Conductive Polivinylidene Fluoride)



**To Purchase:**

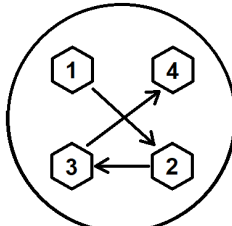
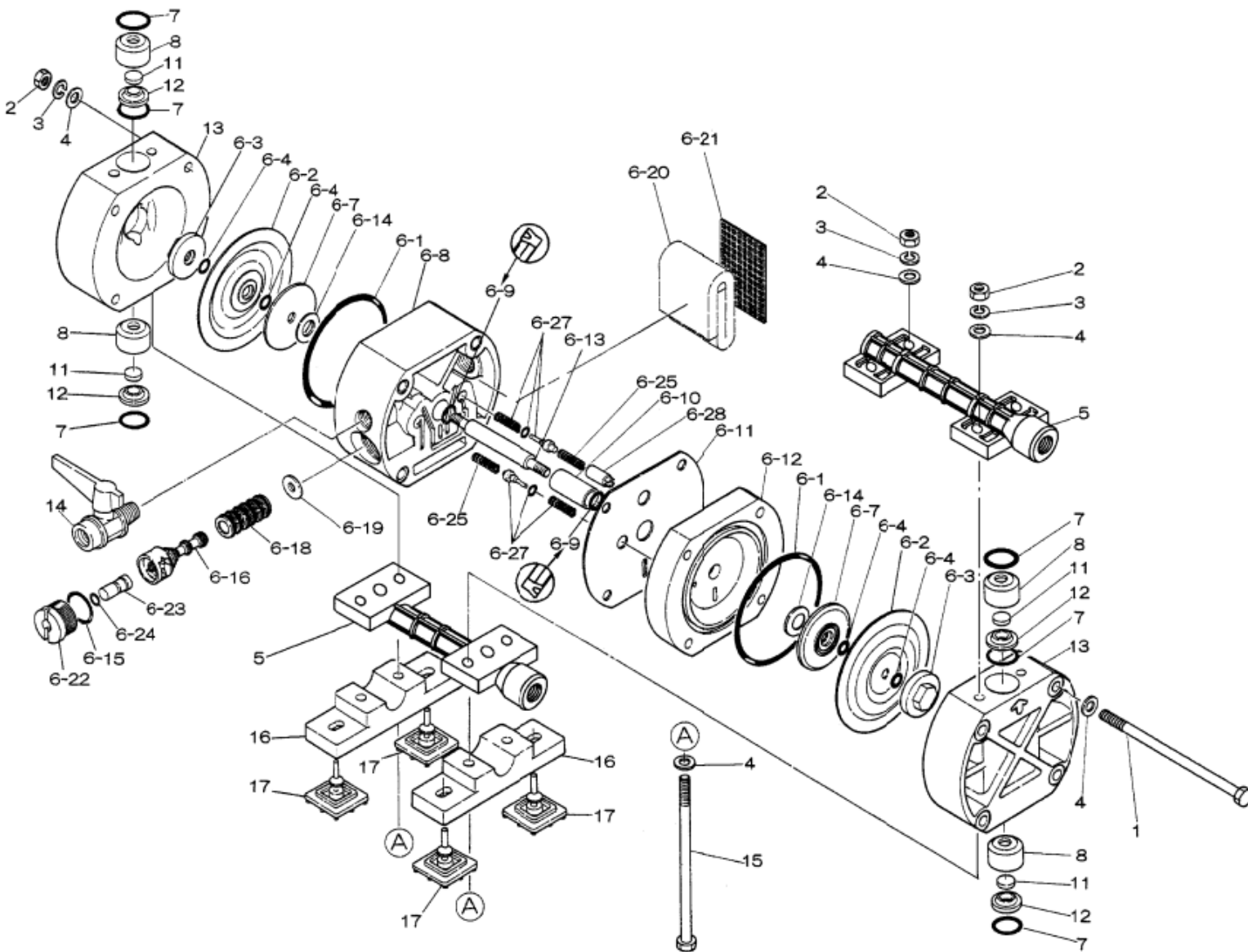
**More information:**

☎ 0031 (0)74 242 2032

▶ YouTube: [@yamadapump](https://www.youtube.com/@yamadapump)

✉ [sales@yamada.nl](mailto:sales@yamada.nl)

🌐 [yamada-europe.com](http://yamada-europe.com)



**Tighting torque for:**  
 Center rod: 7,5Nm  
 Out chamber: 7,5Nm  
 Manifold: 7,5Nm

**Special tools (sold seperately)**  
 771132 Cap and disk remover  
 713148 Sleeve remover

**Miscellaneous:**  
 Assembly oil;  
 use turbine oil none additional class 1  
 Equiv. to ISO VGA32 grade  
 Use Urea grease grade NLGI No. 2

# EXPLODED VIEW & PARTS LISTING

Model : NDP-5FVT

**Yamada** Europe B.V.



## Air Operated Double Diaphragm pump

Material : PVDF (Conductive Polivinyldene Fluoride)

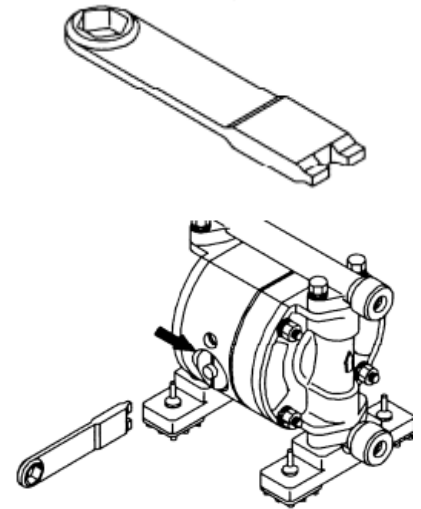


MODEL : NDP-5FVT

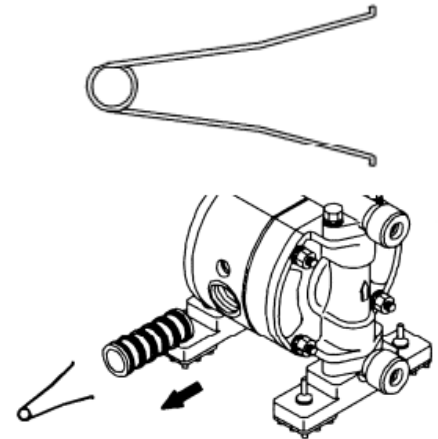
Design #: 852110

REF. No.	DESCRIPTION	Q'TY.	Part No.
1	BOLT	4	682748
2	NUT	8	687229
3	SPRING WASHER	8	681855
4	PLAIN WASHER	16	631328
5	MANIFOLD	2	780054
6	BODY ASSY	1	802849
6- 1	O RING	2	640139
6- 2	DIAPHRAGM	2	771093
6- 3	CENTER DISK	2	771579
6- 4	O RING	4	643003
6- 7	CENTER DISK	2	709317
6- 8	BODY (L)	1	780000
6- 9	PACKING	2	685752
6-10	BUSHING	1	771088
6-11	GASKET	1	771980
6-12	BODY (S)	1	780001
6-13	CENTER ROD	1	709316
6-14	CUSHION	2	771239
6-15	O RING	1	640017
6-16	C SPOOL ASSY	1	802386
6-18	SLEEVE ASSY	1	803214
6-19	CUSHION	1	771096
6-20	MUFFLER FELT	1	771465
6-21	MESH	1	771589
6-22	CAP	1	771100
6-23	RESET BUTTON	1	771099
6-24	O RING	1	640002
6-25	SPRING	2	709319
6-27	PILOT VALVE ASSY	2	803510
6-28	STOPPER	1	771095
7	O RING	6	643015
8	VALVE STOPPER	4	771581
11	FLAT VALVE	4	771094
12	VALVE SEAT	4	772735
13	OUT CHAMBER	2	780232
14	VALVE	1	686825
15	BOLT	4	682747
16	BASE	2	771648
17	RUBBER FOOT	4	771102
<b>KIT DIAPHRAGM</b>			<b>K5D-PT</b>
<b>KIT VALVE</b>			<b>K5V-VT</b>
<b>KIT WET END REPAIR</b>			<b>K5-PT-2</b>
<b>KIT AIR MOTOR</b>			<b>K5-AM</b>
<b>KIT AIR MOTOR SEAL</b>			<b>K5-AMS</b>

### Special tools sold separately:



771132—Cap and Disk remover



713148—Sleeve remover

# EXPLODED VIEW & PARTS LISTING

## Air Operated Double Diaphragm pump

Model : NDP-5FVT

**Yamada** Europe B.V.

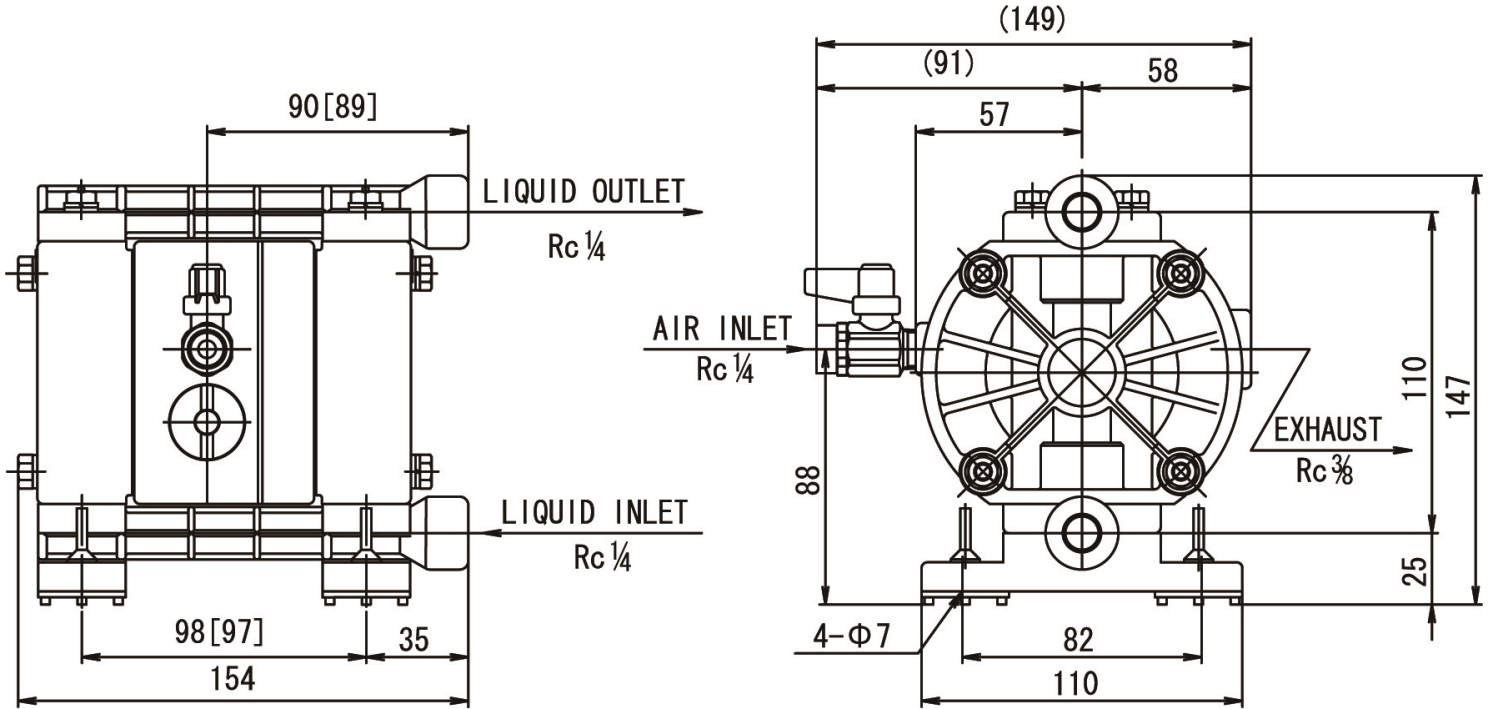


Material : PVDF (Conductive Polivinyliidene Fluoride)



Diaphragm options	PTFE
Max performance	11 L/min
Manifold connection	1/4" Rc
Net Weight	1,7 kg

MODEL : NDP-5FVT



0,1MPa = 1Bar

