

EXPLODED VIEW & PARTS LISTING

Air Operated Double Diaphragm pump

Model : NDP-80BF.

Material: Cast Iron (FC250)

Yamada Europe B.V.



To Purchase:

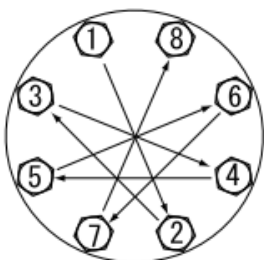
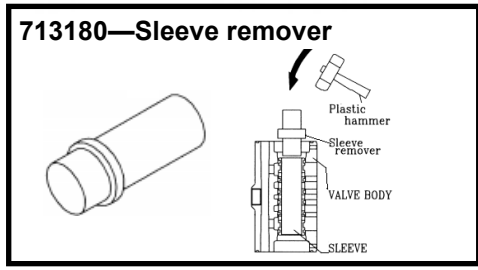
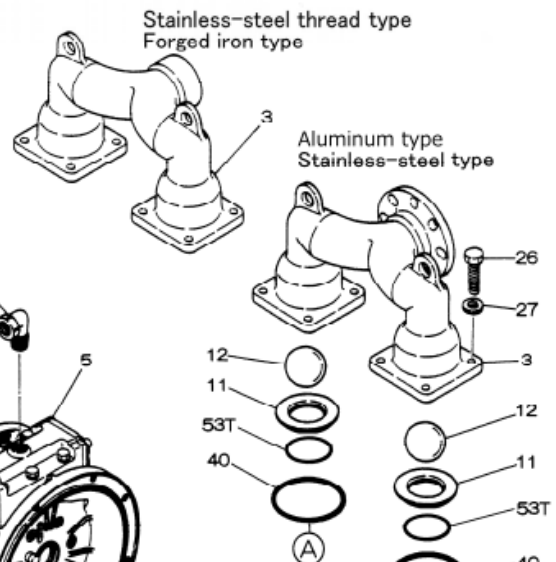
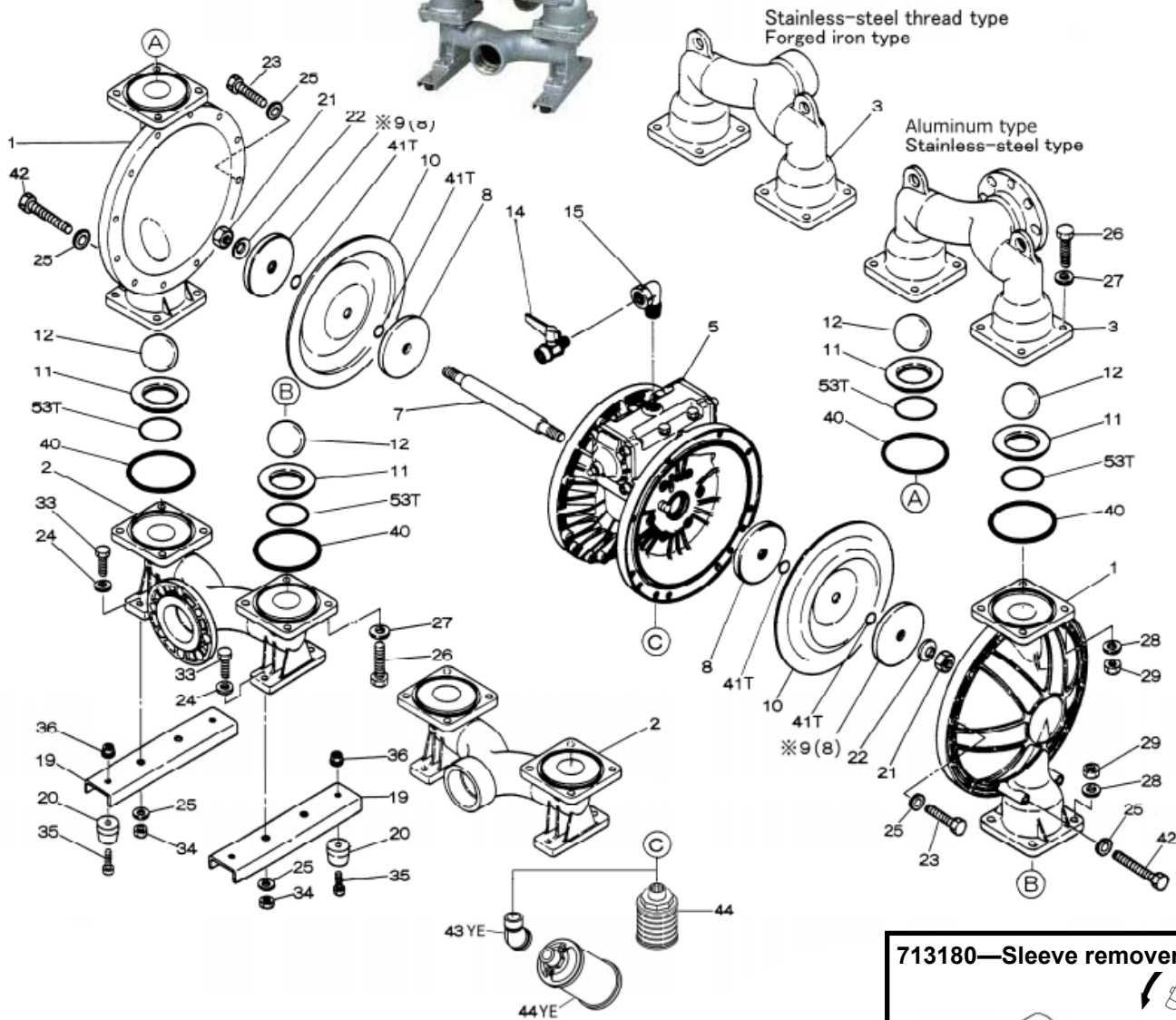
More information:

☎ 0031 (0)74 242 2032

▶ YouTube: [@yamadapump](https://www.youtube.com/@yamadapump)

✉ sales@yamada.nl

🌐 yamada-europe.com



Tighting torque for:

| | |
|----------------|------------|
| Center rod: | 60 Nm |
| Center rod TU: | Hand tight |
| Out chamber: | 40 Nm |
| Manifold: | 25 Nm |

Special tools (sold seperately)

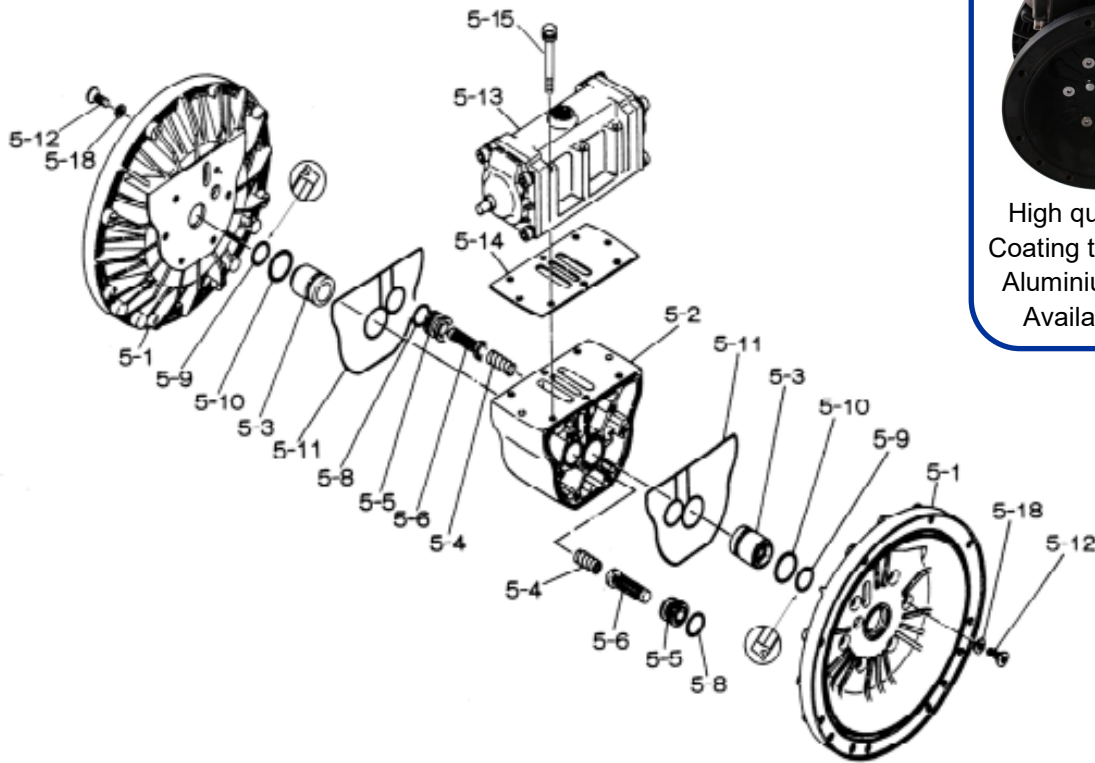
713180 Sleeve remover

Miscellaneous:

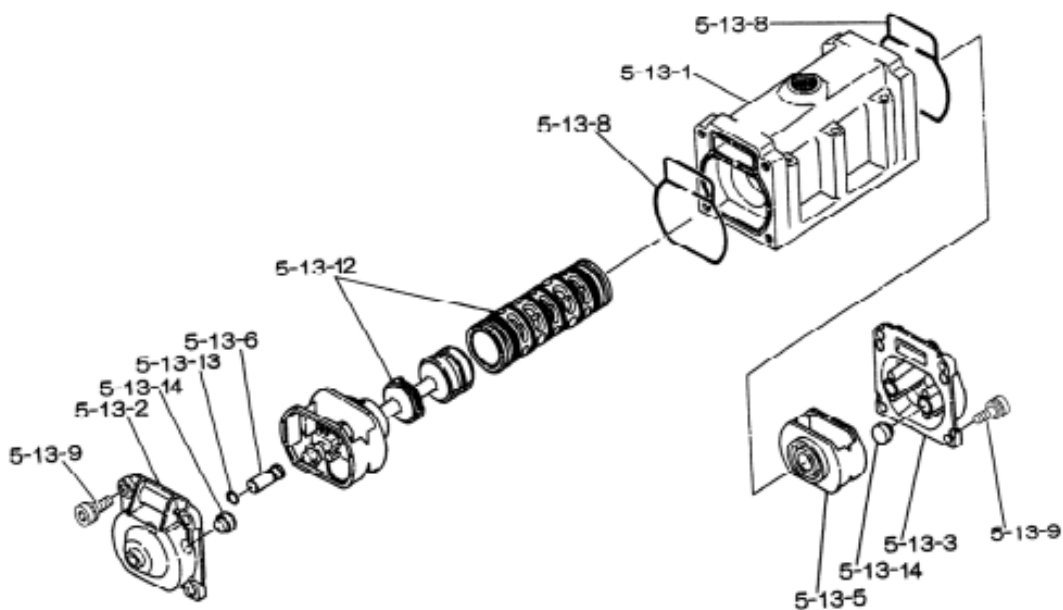
Assembly oil: use turbine oil none additional class 1
 Equiv. to ISO VGA32 grade
 Use Urea grease grade NLGI No. 2



Body Assembly



Valve Body Assembly



EXPLODED VIEW & PARTS LISTING

Model : NDP-80BF.

Yamada Europe B.V.



Air Operated Double Diaphragm pump

Material: Cast Iron (FC250)



Diaphragm

Design #

| REF.No. | DESCRIPTION | Q-TY. | CR | NBR | EPDM | TPEE | TPO | FPM | PTFE | PTFE-EPDM |
|----------|--------------------------|----------|----------|----------|----------|----------|----------|----------|----------|-------------|
| | | | BFC | BFN | BFE | BFH | BFS | BFV | BFT | BFTU |
| | | | 855097 | 855098 | 855099 | 855102 | 855103 | 855100 | 855101 | YE original |
| Part No. | Part No. | Part No. | Part No. | Part No. | Part No. | Part No. | Part No. | Part No. | Part No. | |
| 1 | OUT CHAMBER | 2 | 713158 | 713158 | 713158 | 713158 | 713158 | 713158 | 713158 | 713158 |
| 2 | IN MANIFOLD (FLANGE RC) | 1 | 713164 | 713164 | 713164 | 713164 | 713164 | 713164 | 713164 | 713164 |
| 3 | OUT MANIFOLD (FLANGE RC) | 1 | 713161 | 713161 | 713161 | 713161 | 713161 | 713161 | 713161 | 713161 |
| 5 | BODY ASSY | 1 | 803123 | 803123 | 803123 | 803123 | 803123 | 803123 | 803123 | 803123 |
| 5- 1 | AIR CHAMBER | 2 | 711935 | 711935 | 711935 | 711935 | 711935 | 711935 | 711935 | 711935 |
| 5- 2 | BODY | 1 | 711947 | 711947 | 711947 | 711947 | 711947 | 711947 | 711947 | 711947 |
| *5- 3 | THROAT BEARING | 2 | 772689 | 772689 | 772689 | 772689 | 772689 | 772689 | 772689 | 772689 |
| 5- 4 | SPRING | 2 | 711937 | 711937 | 711937 | 711937 | 711937 | 711937 | 711937 | 711937 |
| 5- 5 | VALVE SEAT | 2 | 771740 | 771740 | 771740 | 771740 | 771740 | 771740 | 771740 | 771740 |
| 5- 6 | PILOT VALVE ASSY | 2 | 832163 | 832163 | 832163 | 832163 | 832163 | 832163 | 832163 | 832163 |
| 5- 8 | O RING | 2 | 640020 | 640020 | 640020 | 640020 | 640020 | 640020 | 640020 | 640020 |
| 5- 9 | PACKING | 2 | 685444 | 685444 | 685444 | 685444 | 685444 | 685444 | 685444 | 685444 |
| 5-10 | O RING | 2 | 640029 | 640029 | 640029 | 640029 | 640029 | 640029 | 640029 | 640029 |
| 5-11 | GASKET | 2 | 771742 | 771742 | 771742 | 771742 | 771742 | 771742 | 771742 | 771742 |
| 5-12 | BOLT | 12 | 683812 | 683812 | 683812 | 683812 | 683812 | 683812 | 683812 | 683812 |
| 5-13 | VALVE BODY ASSY | 1 | 803120 | 803120 | 803120 | 803120 | 803120 | 803120 | 803120 | 803120 |
| 5-13- 1 | VALVE BODY | 1 | 711946 | 711946 | 711946 | 711946 | 711946 | 711946 | 711946 | 711946 |
| 5-13- 2 | CAP A | 1 | 580999 | 580999 | 580999 | 580999 | 580999 | 580999 | 580999 | 580999 |
| 5-13- 3 | CAP B | 1 | 581000 | 581000 | 581000 | 581000 | 581000 | 581000 | 581000 | 581000 |
| 5-13- 5 | SPRING RETAINER | 1 | 771735 | 771735 | 771735 | 771735 | 771735 | 771735 | 771735 | 771735 |
| 5-13- 6 | RESET BUTTON | 1 | 712976 | 712976 | 712976 | 712976 | 712976 | 712976 | 712976 | 712976 |
| 5-13- 8 | GASKET | 2 | 771738 | 771738 | 771738 | 771738 | 771738 | 771738 | 771738 | 771738 |
| 5-13- 9 | BOLT | 8 | 685036 | 685036 | 685036 | 685036 | 685036 | 685036 | 685036 | 685036 |
| 5-13-12 | C SPOOL ASSY | 1 | 805084 | 805084 | 805084 | 805084 | 805084 | 805084 | 805084 | 805084 |
| 5-13-13 | O RING | 1 | 640005 | 640005 | 640005 | 640005 | 640005 | 640005 | 640005 | 640005 |
| 5-13-14 | CUSHION | 4 | 684128 | 684128 | 684128 | 684128 | 684128 | 684128 | 684128 | 684128 |
| 5-14 | GASKET | 1 | 771712 | 771712 | 771712 | 771712 | 771712 | 771712 | 771712 | 771712 |
| 5-15 | BOLT & WASHER | 6 | 684240 | 684240 | 684240 | 684240 | 684240 | 684240 | 684240 | 684240 |
| 5-18 | PLAIN WASHER | 12 | 684987 | 684987 | 684987 | 684987 | 684987 | 684987 | 684987 | 684987 |
| 7 | CENTER ROD | 1 | 711901 | 711901 | 711901 | 711901 | 711901 | 711901 | 711940 | 717131 |
| 8 | CENTER DISK | 2 | 711906 | 711906 | 711906 | 711906 | 711906 | 711906 | 711041 | - |
| 9 | CENTER DISK | 2 | 713371 | 713371 | 713371 | 713371 | 713371 | 713371 | 713391 | - |
| 10 | DIAPHRAGM | 2 | 771857 | 771704 | 771858 | 771705 | 771977 | 771801 | 770934 | 833231 |
| 11 | VALVE SEAT | 4 | 771958 | 771996 | 771999 | 771795 | 772005 | 771998 | 711910 | 711910 |
| 12 | BALL | 4 | 770559 | 770587 | 770596 | 773144 | 773174 | 770605 | 770694 | 770694 |
| 14 | VALVE | 1 | 686973 | 686973 | 686973 | 686973 | 686973 | 686973 | 686973 | 686973 |
| 15 | ELBOW | 1 | 634034 | 634034 | 634034 | 634034 | 634034 | 634034 | 634034 | 634034 |
| 19 | BASE | 2 | 711912 | 711912 | 711912 | 711912 | 711912 | 711912 | 711912 | 711912 |
| 20 | RUBBER FOOT | 4 | 771402 | 771402 | 771402 | 771402 | 771402 | 771402 | 771402 | 771402 |
| 21 | NUT | 2 | 683408 | 683408 | 683408 | 683408 | 683408 | 706144 | 706144 | - |
| 22 | CONED DISC SPRING | 2 | 682740 | 682740 | 682740 | 682740 | 682740 | 682740 | 682740 | - |
| 23 | BOLT | 20 | 686161 | 686161 | 686161 | 686161 | 686161 | 686161 | 686161 | 686024 |
| 24 | PLAIN WASHER | 4 | 631014 | 631014 | 631014 | 631014 | 631014 | 631014 | 631014 | 631014 |
| 25 | WAVE WASHER | 28 | 631917 | 631917 | 631917 | 631917 | 631917 | 631917 | 631917 | 631917 |
| 26 | BOLT | 16 | 611204 | 611204 | 611204 | 611204 | 611204 | 611204 | 611204 | 611204 |
| 27 | PLAIN WASHER | 16 | 631015 | 631015 | 631015 | 631015 | 631015 | 631015 | 631015 | 631015 |
| 28 | WAVE WASHER | 16 | 631918 | 631918 | 631918 | 631918 | 631918 | 631918 | 631918 | 631918 |
| 29 | NUT | 16 | 627014 | 627014 | 627014 | 627014 | 627014 | 627014 | 627014 | 627014 |
| 33 | BOLT | 4 | 611177 | 611177 | 611177 | 611177 | 611177 | 611177 | 611177 | 611177 |
| 34 | NUT | 4 | 627013 | 627013 | 627013 | 627013 | 627013 | 627013 | 627013 | 627013 |
| 35 | BOLT | 4 | 611149 | 611149 | 611149 | 611149 | 611149 | 611149 | 611149 | 611149 |
| 36 | FLANGED NUT | 4 | 682276 | 682276 | 682276 | 682276 | 682276 | 682276 | 682276 | 682276 |
| 40 | O RING | 4 | 640078 | 640078 | 684124 | 640078 | 684124 | 642078 | 643078 | 643078 |
| 41T | O RING | 4 | - | - | - | - | - | - | 643015 | - |
| 42 | BOLT | 4 | 686164 | 686164 | 686164 | 686164 | 686164 | 686164 | 686164 | 686026 |
| 43YE | ELBOW | 1 | 634050 | 634050 | 634050 | 634050 | 634050 | 634050 | 634050 | 634050 |
| 44YE | MUFFLER | 1 | 687235 | 687235 | 687235 | 687235 | 687235 | 687235 | 687235 | 687235 |
| 53T | O RING | 4 | - | - | - | - | - | - | 643145 | 643145 |
| KIT | DIAPHRAGM | | K80D-MC | K80D-MN | K80D-ME | K80D-MH | K80D-MS | K80D-MV | K80D-MT | K80D-TU |
| KIT | VALVE | | K80V-MC | K80V-MN | K80V-ME | K80V-MH | K80V-MS | K80V-MV | K80V-ST | K80V-TU |
| KIT | WET END REPAIR | | K80-MC | K80-MN | K80-ME | K80-MH | K80-MS | K80-MV | K80-MT | K80-TU |
| KIT | AIR MOTOR | | | | | | | | | |
| KIT | AIR MOTOR SEAL | | | | | | | | | |

! * Throat bearing position 5-3, 772689 is only available as an assembly. Positions 5-3, 5-9 and 5-10. Article code 020689

EXPLODED VIEW & PARTS LISTING

Air Operated Double Diaphragm pump



MODEL : NDP-80BF.

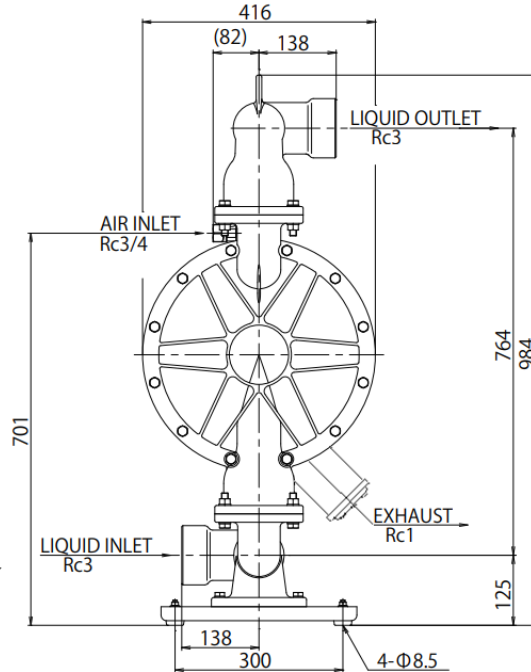
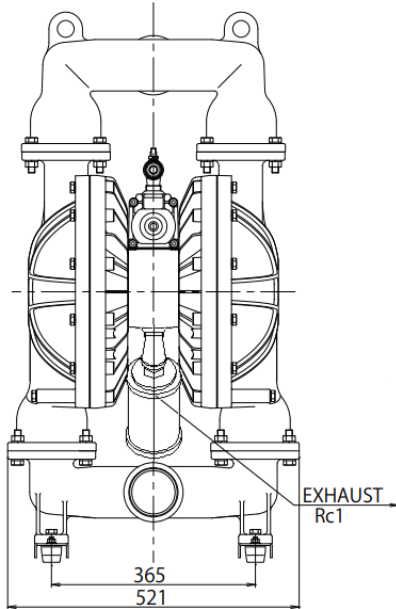
Model : NDP-80BF.

yamada Europe B.V.



Material: Cast Iron (FC250)

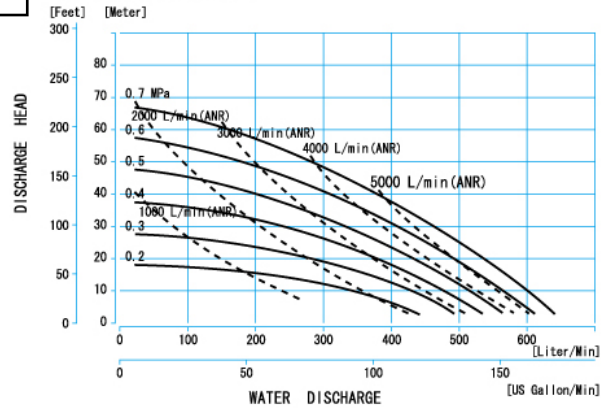
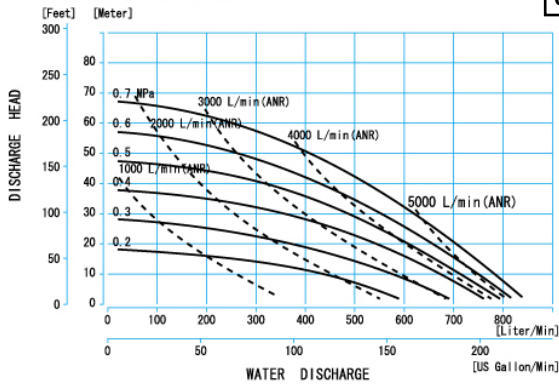
| | |
|----------------------------|---|
| Diaphragm options | CR, EPDM, NBR, FPM, TPEE, TPO, PTFE, TU |
| Max performance | 840 L/min (PTFE 640 L/min) |
| Manifold connection | Rc 3" |
| Net Weight | 109,5 kg (PTFE 101,5 kg / TU 104,0 kg) |



NDP-80BA □, BS □, BF □

0,1MPa = 1Bar

NDP-80BAT, BST, BFT



NDP-40BATU, BFTU, BSTU

