

# EXPLODED VIEW & PARTS LISTING

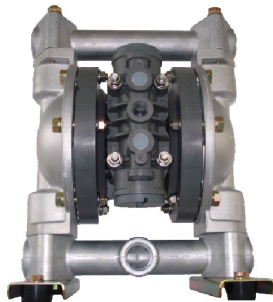
## Air Operated Double Diaphragm pump

Model : NDP-P25BS.

**Yamada** Europe B.V.



Material: Stainless steel 316 (SCS14)



To Purchase:

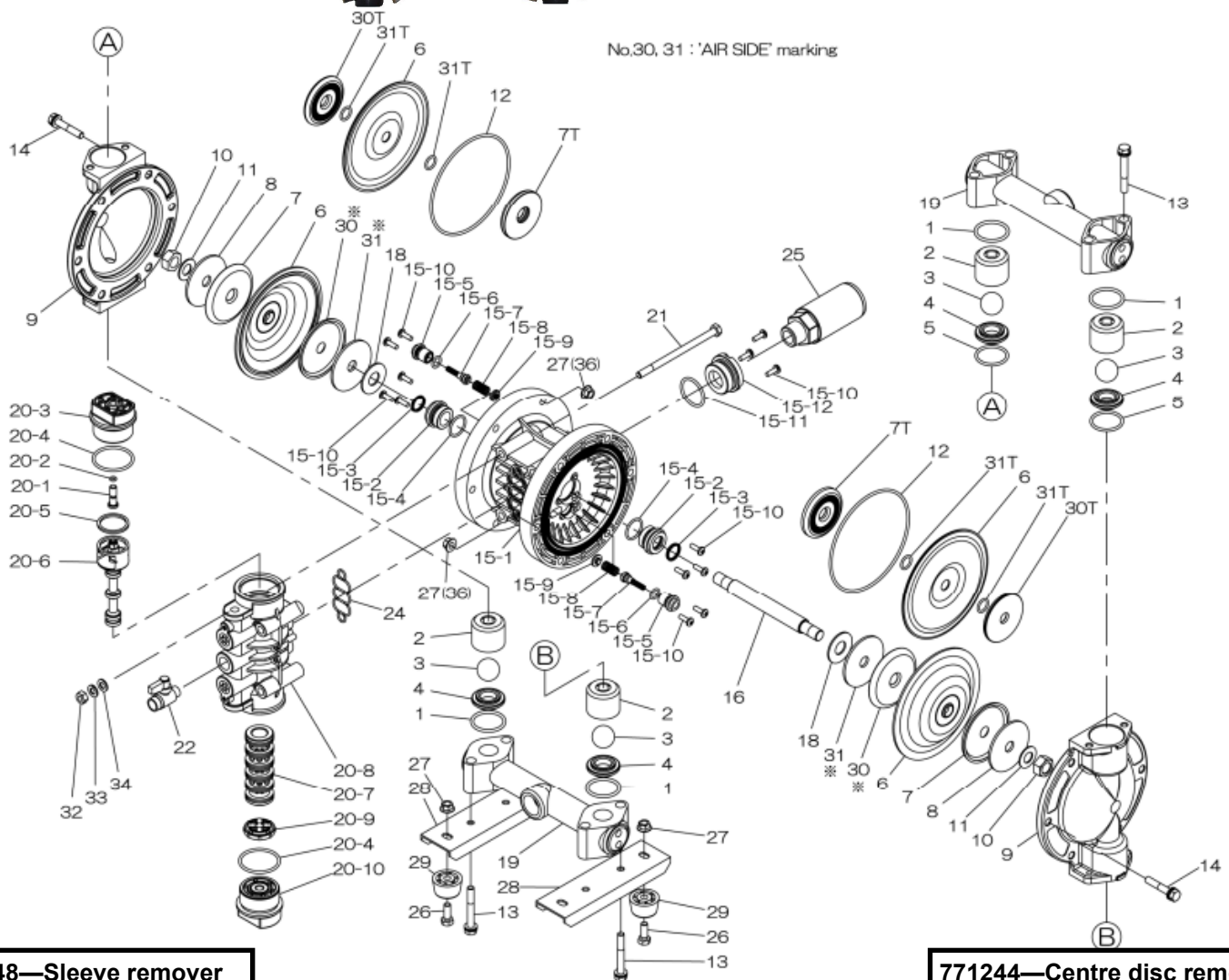
More information:

☎ 0031 (0)74 242 2032

▶ YouTube: [@yamadapump](https://www.youtube.com/@yamadapump)

✉ [sales@yamada.nl](mailto:sales@yamada.nl)

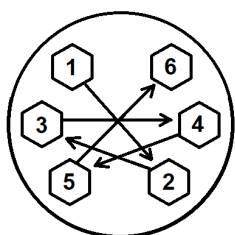
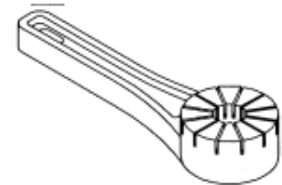
🌐 [yamada-europe.com](http://yamada-europe.com)



713148—Sleeve remover



771244—Centre disc remover



### Tighting torque for:

Center rod: 40 Nm  
 Center rod TU: **Hand tight**  
 Out chamber: 10/20 Nm  
 Manifold: 10/35 Nm

### Special tools (sold seperately)

713148 Sleeve remover  
 771244 Centre disc remover

### Miscellaneous:

Assembly oil: use turbine oil none additional class 1  
 Equiv. to ISO VGA32 grade  
 Use Urea grease grade NLGI No. 2

# EXPLODED VIEW & PARTS LISTING

## Air Operated Double Diaphragm pump

Model : NDP-P25BS.

**Yamada** Europe B.V.



Material: Stainless steel 316 (SCS14)

### DIAPHRAGM

Design #

CR	NBR	EPDM	HYTREL	SANTOPRENE	FPM	PTFE	PTFE-EPDM
BSC	BSN	BSE	BSH	BSS	BSV	BST	BSTU
854129	854130	854131	854134	854135	854132	854133	YE Original



REF. No.	DESCRIPTION	Q'TY.	Part No.	Part No.	Part No.	Part No.	Part No.	Part No.	Part No.	Part No.	Part No.
1	O RING	4	640044	640044	683997	640044	683997	642044	643044	643044	643044
2	BALL GUIDE	4	711703	711703	711703	711703	711703	711703	711703	711703	711703
3	BALL	4	770556	770581	770590	773127	773171	770599	770691	770691	770691
4	VALVE SEAT	4	711707	711707	711707	711707	711707	711707	711707	711707	711707
5	O RING	2	640134	640134	683996	640134	683996	642134	771130	771130	771130
6	DIAPHRAGM	2	772961	772962	772963	771363	771974	772964	771110	832584	832584
7	CENTER DISK	2	709151	709151	709151	709151	709151	709151	—	—	—
7T	CENTER DISK	2	—	—	—	—	—	—	709459	—	—
8	WASHER	2	709150	709150	709150	709150	709150	709150	—	—	—
9	OUT CHAMBER	2	711694	711694	711694	711694	711694	711694	711694	711694	711694
10	NUT	2	682263	682263	682263	682263	682263	682263	682263	682263	—
11	CONED DISC SPRING	2	682730	682730	682730	682730	682730	682730	682730	682730	—
12	O RING	2	—	—	—	640154	640154	—	640154	640154	640154
13	BOLT & WASHER	8	686365	686365	686365	686365	686365	686365	686365	686365	686365
14	BOLT & WASHER	12	686396	686396	686396	686396	686396	686396	686396	686396	686396
15	BODY ASSY	1	804604	804604	804604	804604	804604	804604	804604	804604	804604
16	CENTER ROD	1	709162	709162	709162	709162	709162	709162	709162	709162	714812
18	CUSHION	2	771054	771054	771054	771054	771054	771054	771054	771054	771054
19	MANIFOLD ASSY	2	831250	831250	831250	831250	831250	831250	831250	831250	831250
20	VALVE BODY ASSY	1	804607	804607	804607	804607	804607	804607	804607	804607	804607
21	BOLT	4	686031	686031	686031	686031	686031	686031	686031	686031	686031
22	VALVE	1	686969	686969	686969	686969	686969	686969	686969	686969	686969
24	GASKET	1	772848	772848	772848	772848	772848	772848	772848	772848	772848
25	MUFFLER	1	804697	804697	804697	804697	804697	804697	804697	804697	804697
26	BOLT	4	611148	611148	611148	611148	611148	611148	611148	611148	611148
27	FLANGED NUT	4	682276	682276	682276	682276	682276	682276	682276	682276	682276
28	BASE	2	709156	709156	709156	709156	709156	709156	709156	709156	709156
29	RUBBER FOOT	4	770551	770551	770551	770551	770551	770551	770551	770551	770551
30	CENTER DISK	2	716258	716258	716258	716258	716258	716258	716258	—	772620
30T	CENTER DISK	2	—	—	—	—	—	—	709331	—	—
31	WASHER	2	716259	716259	716259	716259	716259	716259	716259	—	—
31T	O RING	4	—	—	—	—	—	—	643013	—	—
32	NUT	4	683635	683635	683635	683635	683635	683635	683635	683635	683635
33	SPRING WASHER	4	681300	681300	681300	681300	681300	681300	681300	681300	681300
34	PLAIN WASHER	4	631329	631329	631329	631329	631329	631329	631329	631329	631329
36	FLANGED NUT	12	686033	686033	686033	686033	686033	686033	686033	686033	686033
KIT	DIAPHRAGM		KP25D-MC	KP25D-MN	KP25D-ME	K25D-MH	K25D-MS	KP25D-MV	K25D-MT	K25D-MTU	K25D-MTU
KIT	VALVE		K25V-SC	K25V-SN	K25V-SE	K25V-SH	K25V-SS	K25V-SV	K25V-ST	K25V-ST	K25V-ST
KIT	WET END REPAIR		K25-MC-1	K25-MN-1	K25-ME-1	K25-MH-1	K25-MS-1	K25-MV-1	K25-MT-1	K25-MTU-1	K25-MTU-1
KIT	AIR MOTOR		KP20/25-AM								
KIT	AIR MOTOR SEAL		KP20/25-AMS								

# EXPLODED VIEW & PARTS LISTING

## Air Operated Double Diaphragm pump

Model : NDP-P25BS.

**Yamada** Europe B.V.



Material: Stainless steel 316 (SCS14)



**DIAPHRAGM**

**Design #**

CR	NBR	EPDM	HYTREL	SANTOPRENE	FPM	PTFE	PTFE-EPDM
BSC	BSN	BSE	BSH	BSS	BSV	BST	BSTU
854129	854130	854131	854134	854135	854132	854133	YE Original

REF. No.	DESCRIPTION	Q'TY.	Part No.	Part No.	Part No.	Part No.	Part No.	Part No.	Part No.	Part No.
15- 1	BODY	1	772929							
15- 2	THROAT BEARING	2	772931							
15- 3	PACKING	2	685414							
15- 4	O RING	2	685276							
15- 5	VALVE SEAT	2	772932							
15- 6	O RING	2	640009							
15- 7	PILOT VALVE ASSY	2	802360							
15-7-1	O RING SEAL PILOT VALVE	2	771374							
15- 8	SPRING	2	708666							
15- 9	SPRING SEAT	2	772948							
15-10	TAPPING SCREW	13	686030							
15-11	O RING	1	640132							
15-12	BUSHING	1	772933							
20- 1	RESET BUTTON	1	772991							
20- 2	O RING	1	640002							
20- 3	CAP A	1	772946							
20- 4	O RING	2	640043							
20- 5	PACKING	1	771241							
20- 6	C SPOOL ASSY	1	802400							
20- 7	SLEEVE ASSY	1	804609							
20-7-1	O RING	6	686029							
20- 8	VALVE BODY ASSY	1	832902							
20- 9	CUSHION	1	771914							
20-10	CAP B	1	772947							
<b>KIT</b>	<b>AIR MOTOR</b>		<b>KP20/25-AM</b>							
<b>KIT</b>	<b>AIR MOTOR SEAL</b>		<b>KP20/25-AMS</b>							

! \* Throat bearing position 15-2, 772931 is only available as an assembly. Positions 15-2, 15-3 and 15-4. Article code 020703

# EXPLODED VIEW & PARTS LISTING

## Air Operated Double Diaphragm pump



**MODEL :** NDP-P25BS.

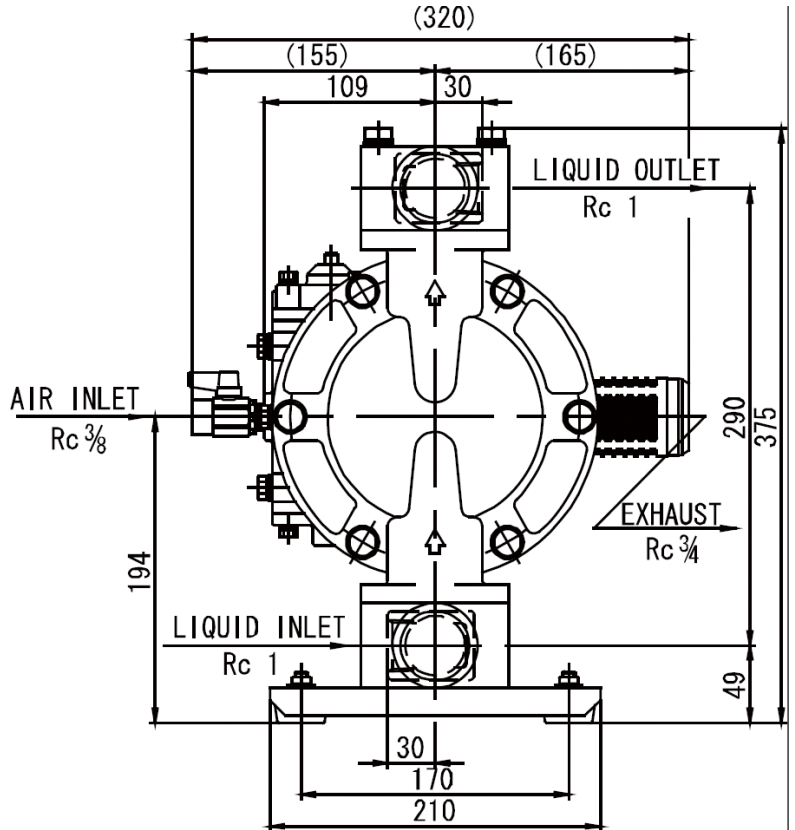
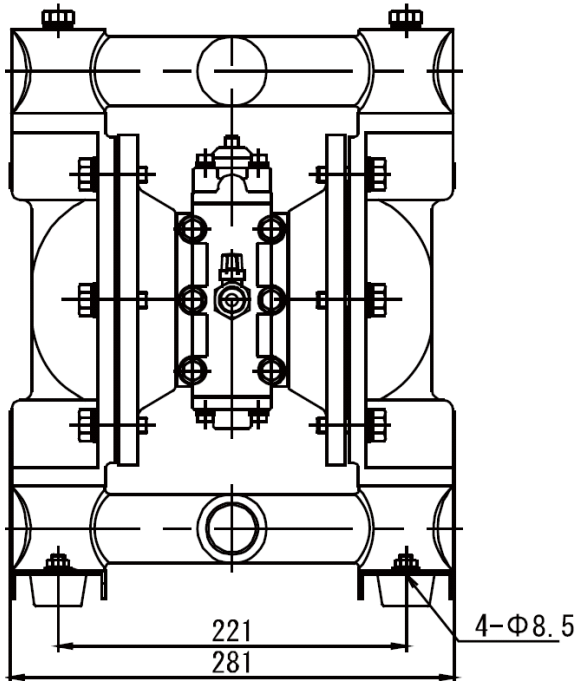
Model : NDP-P25BS.

**Yamada** Europe B.V.



Material: Stainless steel 316 (SCS14)

Diaphragm options	CR, EPDM, NBR, FPM, TPEE, TPO	PTFE	TU
Max performance	160 L/min	150 L/min	150 L/min
Manifold connection	Rc 1"		
Net Weight	19,9 kg		



NDP-25BA □, BS □, BF □

0,1MPa = 1Bar

NDP-25BAT, BST, BFT

