

EXPLODED VIEW & PARTS LISTING

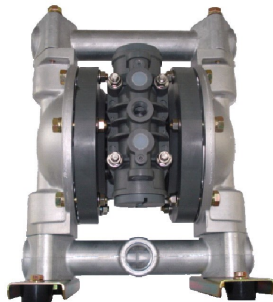
Air Operated Double Diaphragm pump

Model : NDP-P25BS.

Yamada Europe B.V.



Material: Stainless steel 316 (SCS14)



To Purchase:

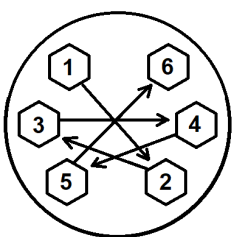
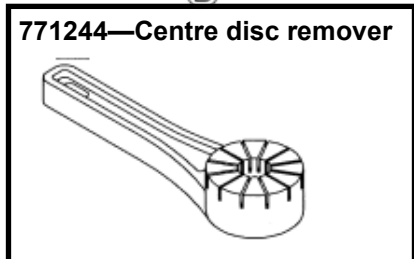
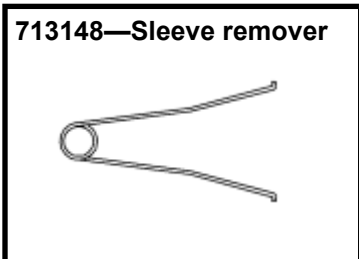
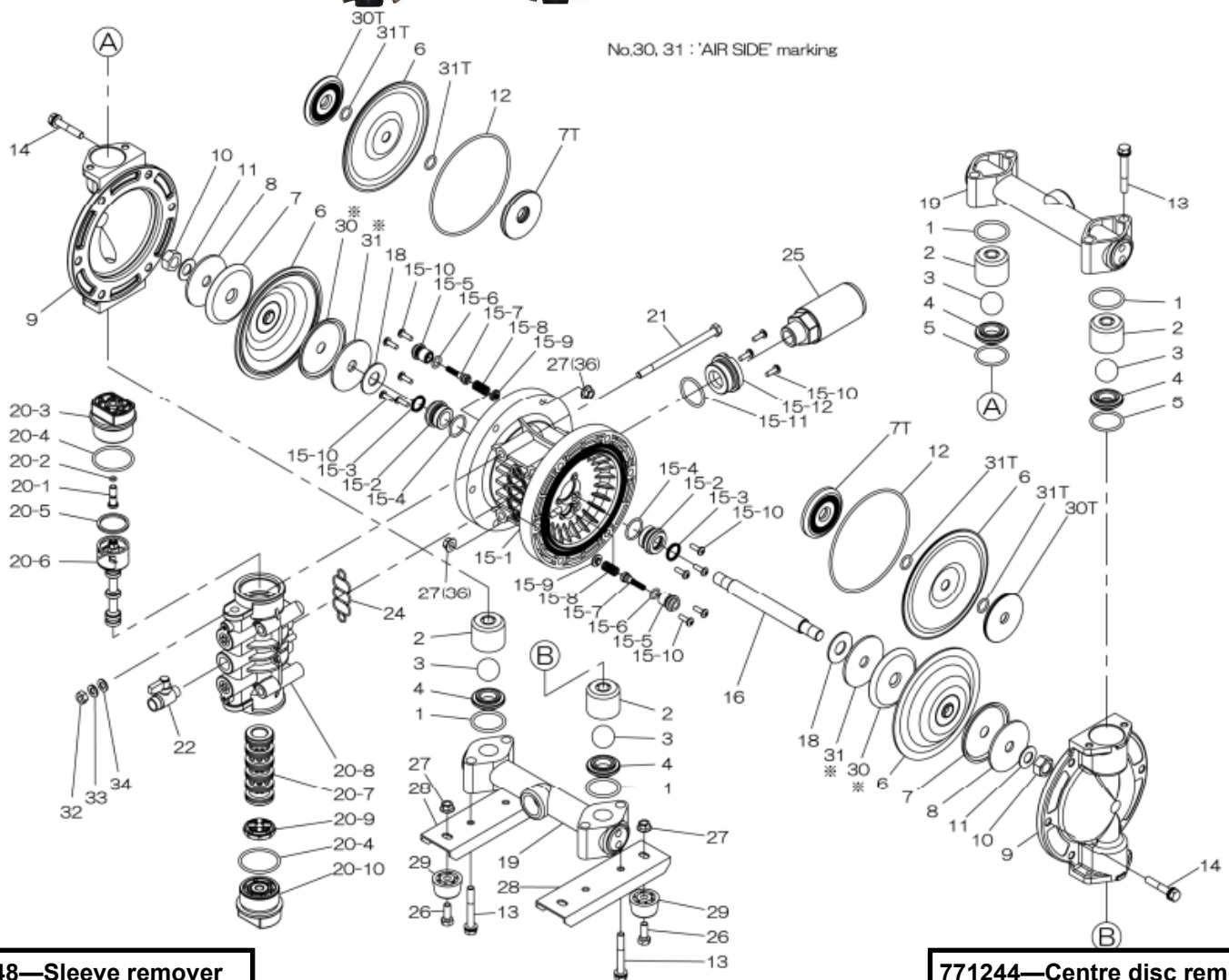
More information:

☎ 0031 (0)74 242 2032

▶ YouTube: [@yamadapump](https://www.youtube.com/@yamadapump)

✉ sales@yamada.nl

🌐 yamada-europe.com



Tighting torque for:

Center rod: 40 Nm
 Center rod TU: **Hand tight**
 Out chamber: 10/20 Nm
 Manifold: 10/35 Nm

Special tools (sold seperately)

713148 Sleeve remover
 771244 Centre disc remover

Miscellaneous:

Assembly oil: use turbine oil none additional class 1
 Equiv. to ISO VGA32 grade
 Use Urea grease grade NLGI No. 2

EXPLODED VIEW & PARTS LISTING

Air Operated Double Diaphragm pump

Model : NDP-P25BS.

Yamada Europe B.V.



Material: Stainless steel 316 (SCS14)

DIAPHRAGM

Design #

| CR | NBR | EPDM | HYTREL | SANTOPRENE | FPM | PTFE | PTFE-EPDM |
|--------|--------|--------|--------|------------|--------|--------|-------------|
| BSC | BSN | BSE | BSH | BSS | BSV | BST | BSTU |
| 854129 | 854130 | 854131 | 854134 | 854135 | 854132 | 854133 | YE Original |



| REF. No. | DESCRIPTION | Q'TY. | Part No. | Part No. | Part No. | Part No. | Part No. | Part No. | Part No. | Part No. | Part No. |
|----------|-------------------|-------|-------------|----------|----------|----------|----------|----------|----------|-----------|-----------|
| 1 | O RING | 4 | 640044 | 640044 | 683997 | 640044 | 683997 | 642044 | 643044 | 643044 | 643044 |
| 2 | BALL GUIDE | 4 | 711703 | 711703 | 711703 | 711703 | 711703 | 711703 | 711703 | 711703 | 711703 |
| 3 | BALL | 4 | 770556 | 770581 | 770590 | 773127 | 773171 | 770599 | 770691 | 770691 | 770691 |
| 4 | VALVE SEAT | 4 | 711707 | 711707 | 711707 | 711707 | 711707 | 711707 | 711707 | 711707 | 711707 |
| 5 | O RING | 2 | 640134 | 640134 | 683996 | 640134 | 683996 | 642134 | 771130 | 771130 | 771130 |
| 6 | DIAPHRAGM | 2 | 772961 | 772962 | 772963 | 771363 | 771974 | 772964 | 771110 | 832584 | 832584 |
| 7 | CENTER DISK | 2 | 709151 | 709151 | 709151 | 709151 | 709151 | 709151 | — | — | — |
| 7T | CENTER DISK | 2 | — | — | — | — | — | — | 709459 | — | — |
| 8 | WASHER | 2 | 709150 | 709150 | 709150 | 709150 | 709150 | 709150 | — | — | — |
| 9 | OUT CHAMBER | 2 | 711694 | 711694 | 711694 | 711694 | 711694 | 711694 | 711694 | 711694 | 711694 |
| 10 | NUT | 2 | 682263 | 682263 | 682263 | 682263 | 682263 | 682263 | 682263 | 682263 | — |
| 11 | CONED DISC SPRING | 2 | 682730 | 682730 | 682730 | 682730 | 682730 | 682730 | 682730 | 682730 | — |
| 12 | O RING | 2 | — | — | — | 640154 | 640154 | — | 640154 | 640154 | 640154 |
| 13 | BOLT & WASHER | 8 | 686365 | 686365 | 686365 | 686365 | 686365 | 686365 | 686365 | 686365 | 686365 |
| 14 | BOLT & WASHER | 12 | 686396 | 686396 | 686396 | 686396 | 686396 | 686396 | 686396 | 686396 | 686396 |
| 15 | BODY ASSY | 1 | 804604 | 804604 | 804604 | 804604 | 804604 | 804604 | 804604 | 804604 | 804604 |
| 16 | CENTER ROD | 1 | 709162 | 709162 | 709162 | 709162 | 709162 | 709162 | 709162 | 709162 | 714812 |
| 18 | CUSHION | 2 | 771054 | 771054 | 771054 | 771054 | 771054 | 771054 | 771054 | 771054 | 771054 |
| 19 | MANIFOLD ASSY | 2 | 831250 | 831250 | 831250 | 831250 | 831250 | 831250 | 831250 | 831250 | 831250 |
| 20 | VALVE BODY ASSY | 1 | 804607 | 804607 | 804607 | 804607 | 804607 | 804607 | 804607 | 804607 | 804607 |
| 21 | BOLT | 4 | 686031 | 686031 | 686031 | 686031 | 686031 | 686031 | 686031 | 686031 | 686031 |
| 22 | VALVE | 1 | 686969 | 686969 | 686969 | 686969 | 686969 | 686969 | 686969 | 686969 | 686969 |
| 24 | GASKET | 1 | 772848 | 772848 | 772848 | 772848 | 772848 | 772848 | 772848 | 772848 | 772848 |
| 25 | MUFFLER | 1 | 804697 | 804697 | 804697 | 804697 | 804697 | 804697 | 804697 | 804697 | 804697 |
| 26 | BOLT | 4 | 611148 | 611148 | 611148 | 611148 | 611148 | 611148 | 611148 | 611148 | 611148 |
| 27 | FLANGED NUT | 4 | 682276 | 682276 | 682276 | 682276 | 682276 | 682276 | 682276 | 682276 | 682276 |
| 28 | BASE | 2 | 709156 | 709156 | 709156 | 709156 | 709156 | 709156 | 709156 | 709156 | 709156 |
| 29 | RUBBER FOOT | 4 | 770551 | 770551 | 770551 | 770551 | 770551 | 770551 | 770551 | 770551 | 770551 |
| 30 | CENTER DISK | 2 | 716258 | 716258 | 716258 | 716258 | 716258 | 716258 | 716258 | — | 772620 |
| 30T | CENTER DISK | 2 | — | — | — | — | — | — | 709331 | — | — |
| 31 | WASHER | 2 | 716259 | 716259 | 716259 | 716259 | 716259 | 716259 | 716259 | — | — |
| 31T | O RING | 4 | — | — | — | — | — | — | 643013 | — | — |
| 32 | NUT | 4 | 683635 | 683635 | 683635 | 683635 | 683635 | 683635 | 683635 | 683635 | 683635 |
| 33 | SPRING WASHER | 4 | 681300 | 681300 | 681300 | 681300 | 681300 | 681300 | 681300 | 681300 | 681300 |
| 34 | PLAIN WASHER | 4 | 631329 | 631329 | 631329 | 631329 | 631329 | 631329 | 631329 | 631329 | 631329 |
| 36 | FLANGED NUT | 12 | 686033 | 686033 | 686033 | 686033 | 686033 | 686033 | 686033 | 686033 | 686033 |
| KIT | DIAPHRAGM | | KP25D-MC | KP25D-MN | KP25D-ME | K25D-MH | K25D-MS | KP25D-MV | K25D-MT | K25D-MTU | K25D-MTU |
| KIT | VALVE | | K25V-SC | K25V-SN | K25V-SE | K25V-SH | K25V-SS | K25V-SV | K25V-ST | K25V-ST | K25V-ST |
| KIT | WET END REPAIR | | K25-MC-1 | K25-MN-1 | K25-ME-1 | K25-MH-1 | K25-MS-1 | K25-MV-1 | K25-MT-1 | K25-MTU-1 | K25-MTU-1 |
| KIT | AIR MOTOR | | KP20/25-AM | | | | | | | | |
| KIT | AIR MOTOR SEAL | | KP20/25-AMS | | | | | | | | |

EXPLODED VIEW & PARTS LISTING

Model : NDP-P25BS.

Yamada Europe B.V.



Air Operated Double Diaphragm pump

Material: Stainless steel 316 (SCS14)



DIAPHRAGM

Design #

| CR | NBR | EPDM | HYTREL | SANTOPRENE | FPM | PTFE | PTFE-EPDM |
|--------|--------|--------|--------|------------|--------|--------|-------------|
| BSC | BSN | BSE | BSH | BSS | BSV | BST | BSTU |
| 854129 | 854130 | 854131 | 854134 | 854135 | 854132 | 854133 | YE Original |

| REF. No. | DESCRIPTION | Q'TY. | Part No. | Part No. | Part No. | Part No. | Part No. | Part No. | Part No. | Part No. |
|------------|-------------------------|-------|--------------------|----------|----------|----------|----------|----------|----------|----------|
| 15- 1 | BODY | 1 | 772929 | | | | | | | |
| 15- 2 | THROAT BEARING | 2 | 772931 | | | | | | | |
| 15- 3 | PACKING | 2 | 685414 | | | | | | | |
| 15- 4 | O RING | 2 | 685276 | | | | | | | |
| 15- 5 | VALVE SEAT | 2 | 772932 | | | | | | | |
| 15- 6 | O RING | 2 | 640009 | | | | | | | |
| 15- 7 | PILOT VALVE ASSY | 2 | 802360 | | | | | | | |
| 15-7-1 | O RING SEAL PILOT VALVE | 2 | 771374 | | | | | | | |
| 15- 8 | SPRING | 2 | 708666 | | | | | | | |
| 15- 9 | SPRING SEAT | 2 | 772948 | | | | | | | |
| 15-10 | TAPPING SCREW | 13 | 686030 | | | | | | | |
| 15-11 | O RING | 1 | 640132 | | | | | | | |
| 15-12 | BUSHING | 1 | 772933 | | | | | | | |
| 20- 1 | RESET BUTTON | 1 | 772991 | | | | | | | |
| 20- 2 | O RING | 1 | 640002 | | | | | | | |
| 20- 3 | CAP A | 1 | 772946 | | | | | | | |
| 20- 4 | O RING | 2 | 640043 | | | | | | | |
| 20- 5 | PACKING | 1 | 771241 | | | | | | | |
| 20- 6 | C SPOOL ASSY | 1 | 802400 | | | | | | | |
| 20- 7 | SLEEVE ASSY | 1 | 804609 | | | | | | | |
| 20-7-1 | O RING | 6 | 686029 | | | | | | | |
| 20- 8 | VALVE BODY ASSY | 1 | 832902 | | | | | | | |
| 20- 9 | CUSHION | 1 | 771914 | | | | | | | |
| 20-10 | CAP B | 1 | 772947 | | | | | | | |
| KIT | AIR MOTOR | | KP20/25-AM | | | | | | | |
| KIT | AIR MOTOR SEAL | | KP20/25-AMS | | | | | | | |

! * Throat bearing position 15-2, 772931 is only available as an assembly. Positions 15-2, 15-3 and 15-4. Article code 020703

EXPLODED VIEW & PARTS LISTING

Air Operated Double Diaphragm pump



MODEL : NDP-P25BS.

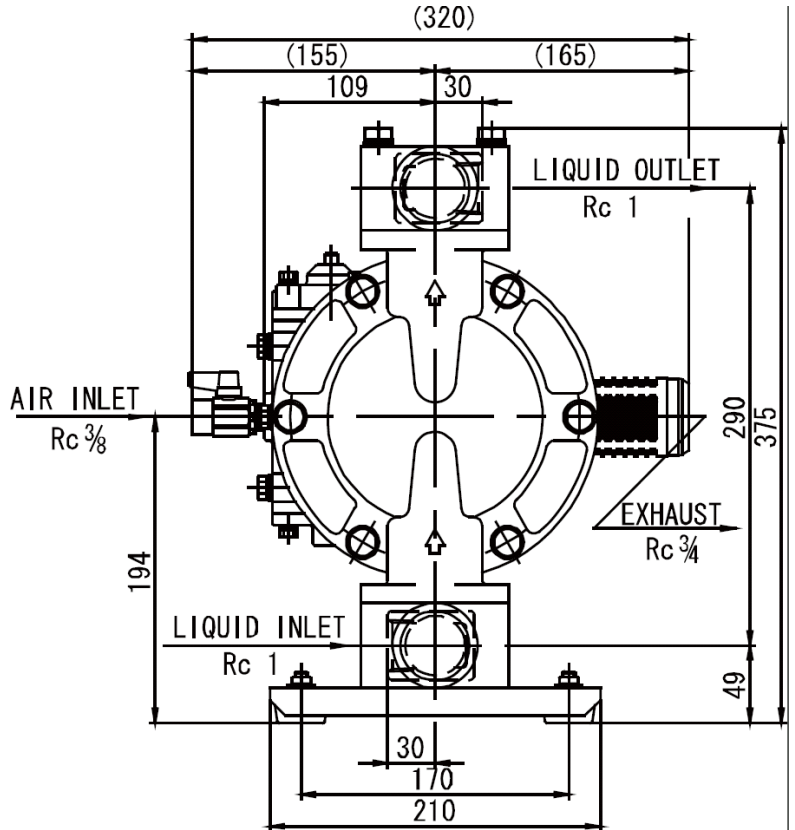
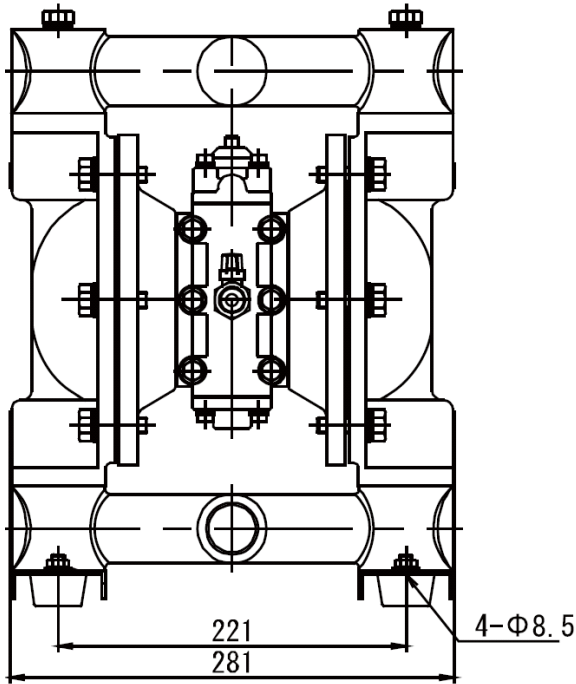
Model : NDP-P25BS.

Yamada Europe B.V.



Material: Stainless steel 316 (SCS14)

| | |
|---------------------|---|
| Diaphragm options | CR, EPDM, NBR, FPM, TPEE, TPO, PTFE, TU |
| Max performance | 160 L/min |
| Manifold connection | Rc 1" |
| Net Weight | 18,0 kg |



NDP-25BA □, BS □, BF □

0,1MPa = 1Bar

NDP-25BAT, BST, BFT

