

EXPLODED VIEW & PARTS LISTING

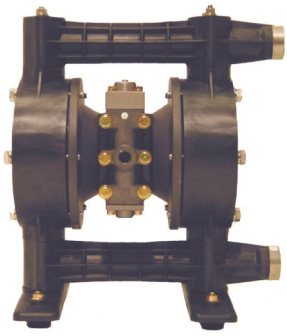
Air Operated Double Diaphragm pump

Model : NDP-25BV.

Yamada Europe B.V.



Material: PVDF (Conductive Polivinyldene Fluoride)



To Purchase:

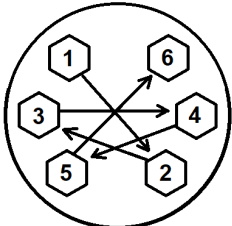
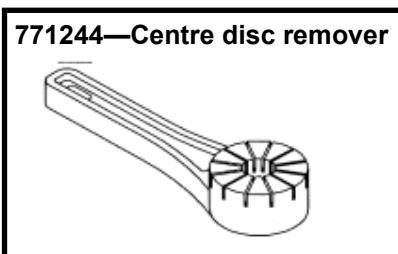
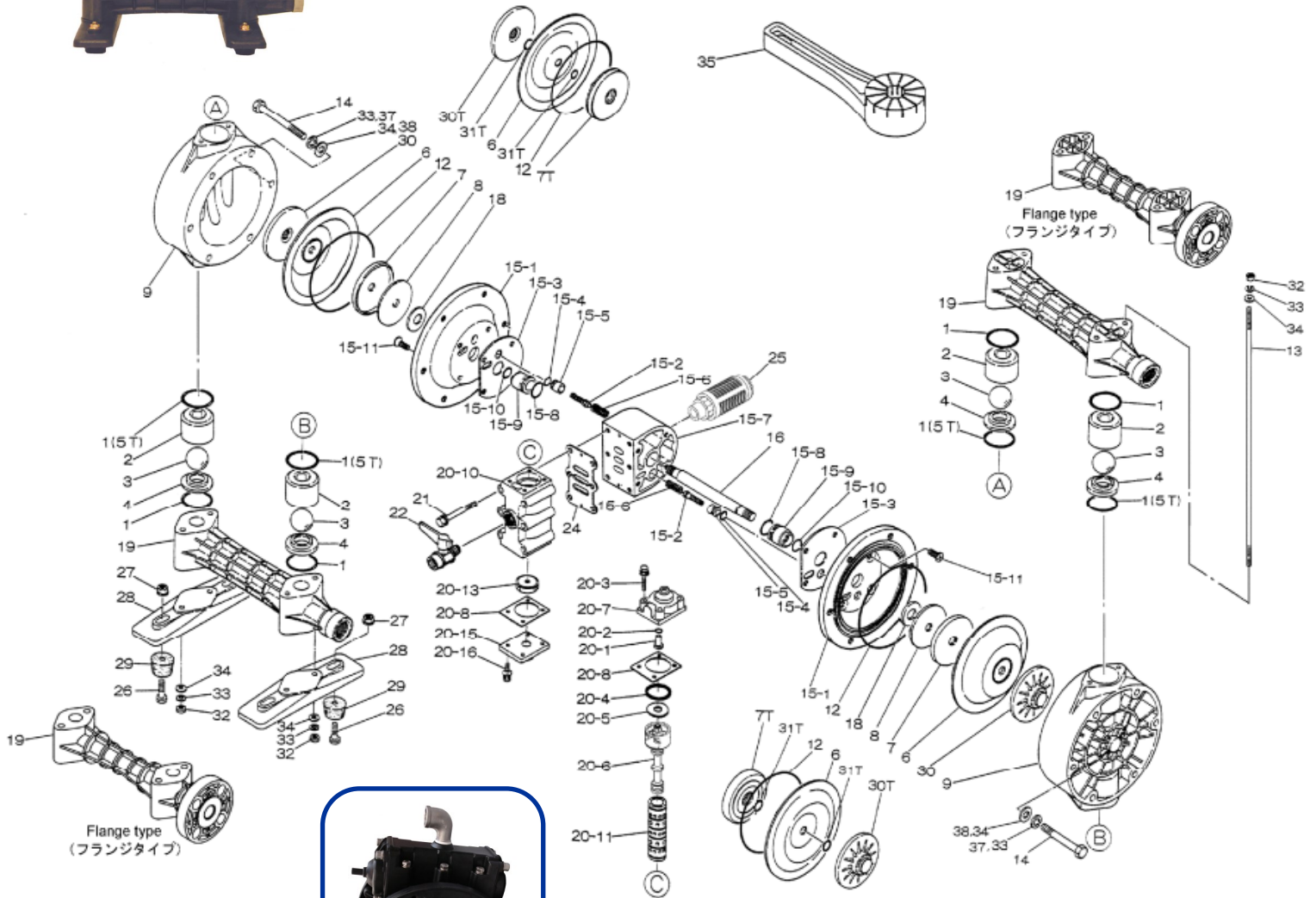
More information:

☎ 0031 (0)74 242 2032

▶ YouTube: [@yamadapump](https://www.youtube.com/@yamadapump)

✉ sales@yamada.nl

🌐 yamada-europe.com



Tighting torque for:

Center rod: 40 Nm
 Center rod TU: **Hand tight**
 Out chamber: 10/20 Nm
 Manifold: 10/35 Nm

Special tools (sold seperately)

713148 Sleeve remover
 771244 Centre disc remover

Miscellaneous:

Assembly oil: use turbine oil none additional class 1
 Equiv. to ISO VGA32 grade
 Use Urea grease grade NLGI No. 2

EXPLODED VIEW & PARTS LISTING

Air Operated Double Diaphragm pump

Model : NDP-25BV.

Yamada Europe B.V.

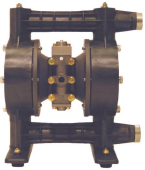


Material: PVDF (Conductive Polivinylidene Fluoride)

DIAPHRAGM

Design

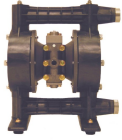
EPDM	HYTREL	SANTOPRENE	FPM	PTFE	PTFE-EPDM
BVE	BVH	BVS	BVV	BVT	BVTU
855046	855049	854941	855047	855048	YE Original



REF. No.	DESCRIPTION	Q'TY.	Part No.	Part No.	Part No.	Part No.	Part No.	Part No.
1	O RING	8	684119	—	643042	642042	—	—
		4	—	643042	—	—	643042	643042
2	BALL GUIDE	4	773419	773419	773419	773419	773419	773419
3	BALL	4	770590	773127	770691	770599	770691	770691
4	VALVE SEAT	4	780317	780317	780317	780317	780317	780317
5T	O RING	4	—	643041	—	—	643041	643041
6	DIAPHRAGM	2	772963	771363	771974	772964	771110	832584
7,7T	CENTER DISK	2	716258	716258	716258	716258	709459	772620
8	WASHER	2	716259	716259	716259	716259	—	—
9	OUT CHAMBER	2	780312	780312	780312	780312	780312	780312
12	O RING	2	—	640154	640154	—	640154	640154
13	TIE ROD	4	710207	710207	710207	710207	710207	710207
14	BOLT	12	621189	621189	621189	621189	621189	621189
15	BODY ASSY	1	804666	804666	804666	804666	804666	804666
16	CENTER ROD	1	710271	710271	710271	710271	710271	710271
18	CUSHION	2	771054	771054	771054	771054	771054	771054
19	MANIFOLD	2	780313	780313	780313	780313	780313	780313
20	VALVE BODY ASSY	1	802700	802700	802700	802700	802700	802700
21	BOLT & WASHER	6	682265	682265	682265	682265	682265	682265
22	VALVE	1	686969	686969	686969	686969	686969	686969
24	GASKET	1	771056	771056	771056	771056	771056	771056
25	MUFFLER	1	680913	680913	680913	680913	680913	680913
26	BOLT	4	611153	611153	611153	611153	611153	611153
27	FLANGED NUT	4	682276	682276	682276	682276	682276	682276
28	BASE	2	771749	771749	771749	771749	771749	771749
29	RUBBER FOOT	4	770551	770551	770551	770551	770551	770551
30,30T	CENTER DISK	2	780318	780318	780318	780318	780319	—
31T	O RING	4	—	—	—	—	643013	—
32	NUT	8	687229	687229	687229	687229	687229	687229
33	SPRING WASHER	8	681300	681300	681300	681300	681300	681300
34	PLAIN WASHER	8	631329	631329	631329	631329	631329	631329
35	SPECIAL TOOL	2	771244	771244	771244	771244	771244	771244
37	SPRING WASHER	12	680257	680257	680257	680257	680257	680257
38	PLAIN WASHER	12	631330	631330	631330	631330	631330	631330
KIT	DIAPHRAGM		K25D-PE	K25D-PH-1	K25D-PS-1	K25D-PV	K25D-PT	K25D-PTU
KIT	VALVE		KN25V-VE	KN25V-VH	KN25V-VS	KN25V-VV	KN25V-VT	K2N5V-VT
KIT	WET END REPAIR		K25-VE-1	K25-VH	K25-VS	K25-VV-1	K25-VT	K25-VTU
KIT	AIR MOTOR		K20/25-AM					
KIT	AIR MOTOR SEAL		K20/25-AMS					

EXPLODED VIEW & PARTS LISTING

Air Operated Double Diaphragm pump



DIAPHRAGM

Design #

Model : NDP-25BV.

Yamada Europe B.V.



Material: PVDF (Conductive Polivinylidene Fluoride)

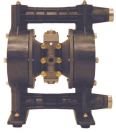
EPDM	HYTREL	SANTOPRENE	FPM	PTFE	PTFE-EPDM
BVE	BVH	BVS	BVV	BVT	BVTU
855046	855049	854941	855047	855048	YE Original

REF. No.	DESCRIPTION	Q'TY.	Part No.	Part No.	Part No.	Part No.	Part No.	Part No.
15- 1	AIR CHAMBER	2	715940					
15- 2	PILOT VALVE ASSY	2	802360					
15-2-1	PILOT VALVE SEAL	2	771374					
15- 3	GASKET	2	771057					
15- 4	O RING	2	640009					
15- 5	VALVE SEAT	2	771945					
15- 6	SPRING	2	708666					
15- 7	BODY	1	711217					
15- 8	O RING	2	685276					
*15- 9	THROAT BEARING	2	772703					
15-10	PACKING	2	685414					
15-11	BOLT	8	682486					
20- 1	RESET BUTTON	1	709161					
20- 2	O RING	1	640005					
20- 3	BOLT & WASHER	4	682704					
20- 4	PACKING	1	771241					
20- 5	WASHER	1	715961					
20- 6	C SPOOL ASSY	1	802400					
20- 7	CAP	1	711219					
20- 8	GASKET	2	771240					
20-10	VALVE BODY	1	711641					
20-11	SLEEVE ASSY	1	803931					
20-11-1	O RING SLEEVE	6	771080					
20-13	CUSHION	1	771914					
20-15	CAP	1	711212					
20-16	BOLT & WASHER	4	682262					
KIT	AIR MOTOR		K20/25-AM					
KIT	AIR MOTOR SEAL		K20/25-AMS					

! * Throat bearing position 15-9, 772703 is only available as an assembly. Positions 15-8, 15-9 and 15-10. Article code 020703

EXPLODED VIEW & PARTS LISTING

Air Operated Double Diaphragm pump



Model : NDP-25BV.

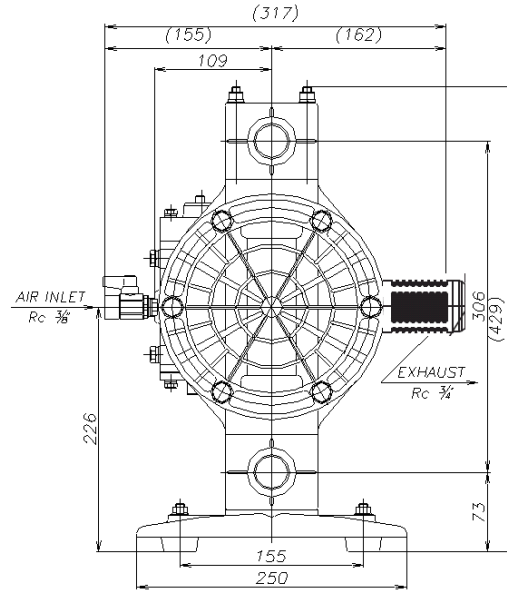
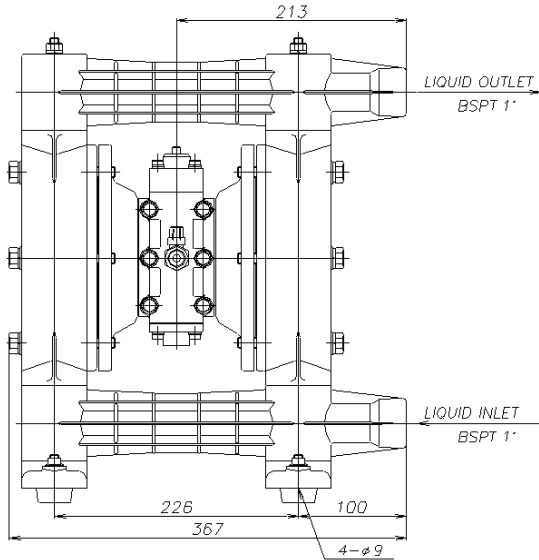
Yamada Europe B.V.



Material: PVDF (Conductive Polivinyldene Fluoride)

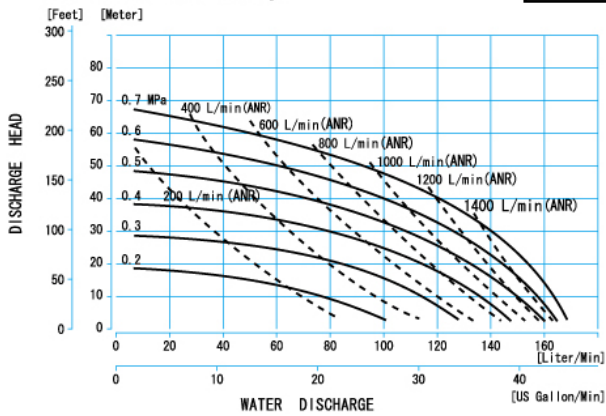
Diaphragm options	EPDM, FPM, TPEE, TPO	PTFE	TU
Max performance	160 L/min	150 L/min	140 L/min
Manifold connection	Rc 1"		

MODEL : NDP-25BV.

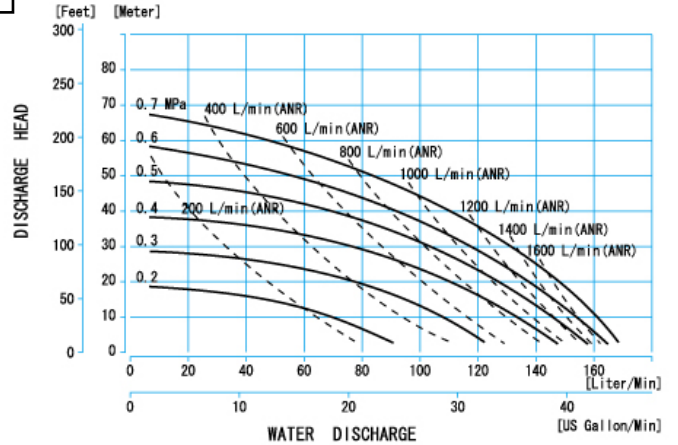


NDP-25BP □, BV □ flange

0,1MPa = 1Bar



NDP-25BPT, BVT flange



NDP-24BVTU

