

# EXPLODED VIEW & PARTS LISTING

## Air Operated Double Diaphragm pump

Model : NDP-25BS.

**Yamada** Europe B.V.



Material: Stainless steel 316 (SCS14)



To Purchase:

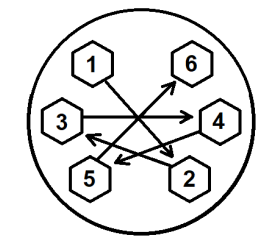
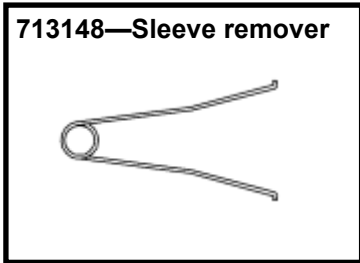
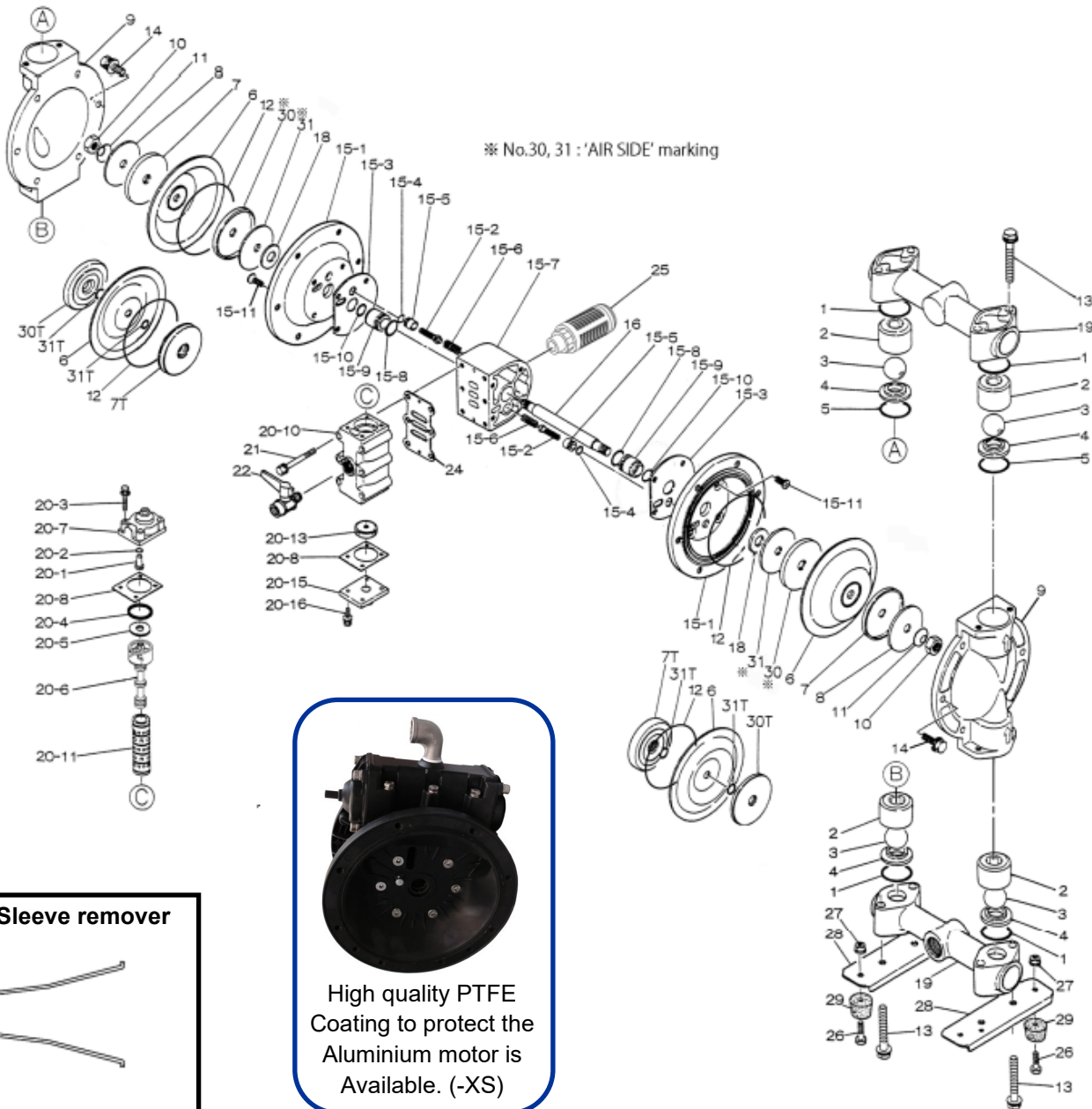
More information:

☎ 0031 (0)74 242 2032

▶ YouTube: [@yamadapump](https://www.youtube.com/@yamadapump)

✉ [sales@yamada.nl](mailto:sales@yamada.nl)

🌐 [yamada-europe.com](http://yamada-europe.com)



**Tighting torque for:**

Center rod: 40 Nm  
 Center rod TU: Hand tight  
 Out chamber: 10/20 Nm  
 Manifold: 10/35 Nm

**Special tools (sold seperately)**

713148 Sleeve remover

**Miscellaneous:**

Assembly oil: use turbine oil none additional class 1  
 Equiv. to ISO VGA32 grade  
 Use Urea grease grade NLGI No. 2

# EXPLODED VIEW & PARTS LISTING

## Air Operated Double Diaphragm pump

Model : NDP-25BS.

**Yamada** Europe B.V.



Material: Stainless steel 316 (SCS14)

### DIAPHRAGM

### Design #

CR	NBR	EPDM	HYTREL	SANTOPRENE	FPM	PTFE	PTFE-EPDM
BSC	BSN	BSE	BSH	BSS	BSV	BST	BSTU
855032	855033	855034	855037	855038	855035	855036	YE Original

REF. No.	DESCRIPTION	Q'TY.	Part No.	Part No.	Part No.	Part No.	Part No.	Part No.	Part No.	Part No.	Part No.
1	O RING	4	640044	640044	683997	640044	683997	642044	643044	643044	643044
2	BALL GUIDE	4	711703	711703	711703	711703	711703	711703	711703	711703	711703
3	BALL	4	770556	770581	770590	773127	773171	770599	770691	770691	770691
4	VALVE SEAT	4	717448	717448	717448	717448	717448	717448	717448	717448	717448
5	O RING	2	640134	640134	683996	640134	683996	642134	771130	771130	771130
6	DIAPHRAGM	2	772961	772962	772963	771363	771974	772964	771110	832584	832584
7,7T	CENTER DISK	2	709151	709151	709151	709151	709151	709151	709151	709459	—
8	WASHER	2	709150	709150	709150	709150	709150	709150	709150	—	—
9	OUT CHAMBER	2	711694	711694	711694	711694	711694	711694	711694	711694	711694
10	NUT	2	682263	682263	682263	682263	682263	682263	682263	682263	—
11	CONED DISC SPRING	2	682730	682730	682730	682730	682730	682730	682730	682730	—
12	O RING	2	—	—	—	640154	640154	—	640154	640154	640154
13	BOLT & WASHER	8	686365	686365	686365	686365	686365	686365	686365	686365	686365
14	BOLT & WASHER	12	686362	686362	686362	686362	686362	686362	686362	686362	686362
15	BODY ASSY	1	804664	804664	804664	804664	804664	804664	804664	804664	804664
16	CENTER ROD	1	709162	709162	709162	709162	709162	709162	709162	709162	714812
18	CUSHION	2	771054	771054	771054	771054	771054	771054	771054	771054	771054
19	MANIFOLD ASSY	2	831250	831250	831250	831250	831250	831250	831250	831250	831250
20	VALVE BODY ASSY	1	802361	802361	802361	802361	802361	802361	802361	802361	802361
21	BOLT & WASHER	6	682265	682265	682265	682265	682265	682265	682265	682265	682265
22	VALVE	1	686969	686969	686969	686969	686969	686969	686969	686969	686969
24	GASKET	1	771056	771056	771056	771056	771056	771056	771056	771056	771056
25	MUFFLER	1	680913	680913	680913	680913	680913	680913	680913	680913	680913
26	BOLT	4	611148	611148	611148	611148	611148	611148	611148	611148	611148
27	FLANGED NUT	4	682276	682276	682276	682276	682276	682276	682276	682276	682276
28	BASE	2	709156	709156	709156	709156	709156	709156	709156	709156	709156
29	RUBBER FOOT	4	770551	770551	770551	770551	770551	770551	770551	770551	770551
30,30T	CENTER DISK	2	716258	716258	716258	716258	716258	716258	716258	709331	772620
31	WASHER	2	716259	716259	716259	716259	716259	716259	716259	—	—
31T	O RING	4	—	—	—	—	—	—	—	643013	—
KIT	DIAPHRAGM		K25D-MC	K25D-MN	K25D-ME	K25D-MH	K25D-MS	K25D-MV	K25D-MT	K25D-MTU	K25D-MTU
KIT	VALVE		K25V-SC	K25V-SN	K25V-SE	K25V-SH	K25V-SS	K25V-SV	K25V-ST	K25V-ST	K25V-ST
KIT	WET END REPAIR		K25-MC-1	K25-MN-1	K25-ME-1	K25-MH-1	K25-MS-1	K25-MV-1	K25-MT-1	K25-MTU-1	K25-MTU-1
KIT	AIR MOTOR		K20/25-AM								
KIT	AIR MOTOR SEAL		K20/25-AMS								

# EXPLODED VIEW & PARTS LISTING

Model : NDP-25BS.

**Yamada** Europe B.V.



## Air Operated Double Diaphragm pump

Material: Stainless steel 316 (SCS14)



**DIAPHRAGM**

Design #

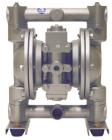
CR	NBR	EPDM	HYTREL	SANTOPRENE	FPM	PTFE	PTFE-EPDM
BSC	BSN	BSE	BSH	BSS	BSV	BST	BSTU
855032	855033	855034	855037	855038	855035	855036	YE Original

REF. No.	DESCRIPTION	Q'TY.	Part No.	Part No.	Part No.	Part No.	Part No.	Part No.	Part No.	Part No.
15- 1	AIR CHAMBER	2						715939		
15- 2	PILOT VALVE ASSY	2						802360		
15-2-1	PILOT VALVE SEAL	2						771374		
15- 3	GASKET	2						771057		
15- 4	O RING	2						640009		
15- 5	VALVE SEAT	2						771945		
15- 6	SPRING	2						708666		
15- 7	BODY	1						709154		
15- 8	O RING	2						685276		
*15- 9	THROAT BEARING	2						772703		
15-10	PACKING	2						685414		
15-11	BOLT	8						682486		
20- 1	RESET BUTTON	1						709161		
20- 2	O RING	1						640005		
20- 3	BOLT & WASHER	4						682704		
20- 4	PACKING	1						771241		
20- 5	WASHER	1						715961		
20- 6	C SPOOL ASSY	1						802400		
20- 7	CAP	1						710221		
20- 8	GASKET	2						771240		
20-10	VALVE BODY	1						711638		
20-11	SLEEVE ASSY	1						803931		
20-11-1	O RING SLEEVE	6						771080		
20-13	CUSHION	1						771914		
20-15	CAP	1						709305		
20-16	BOLT & WASHER	4						682262		
KIT	AIR MOTOR							K20/25-AM		
KIT	AIR MOTOR SEAL							K20/25-AMS		

! \* Throat bearing position 15-9, 772703 is only available as an assembly. Positions 15-8, 15-9 and 15-10. Article code 020703

# EXPLODED VIEW & PARTS LISTING

## Air Operated Double Diaphragm pump



MODEL : NDP-25BS.

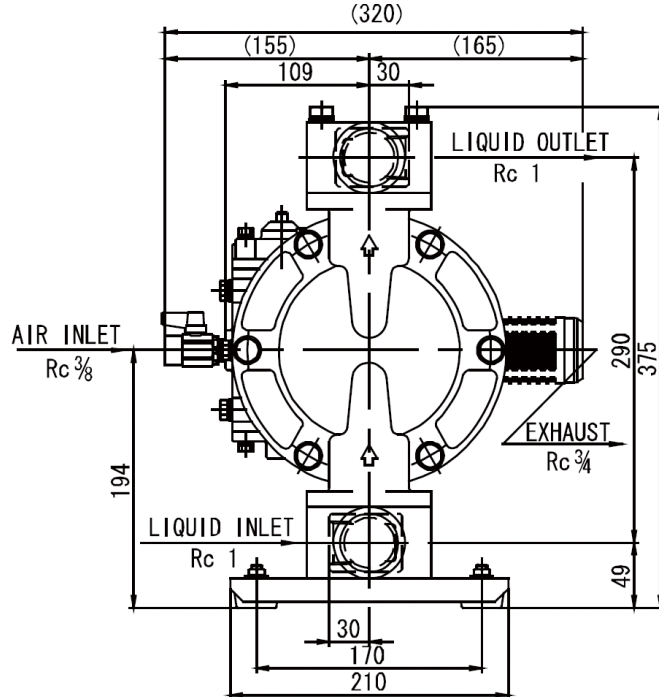
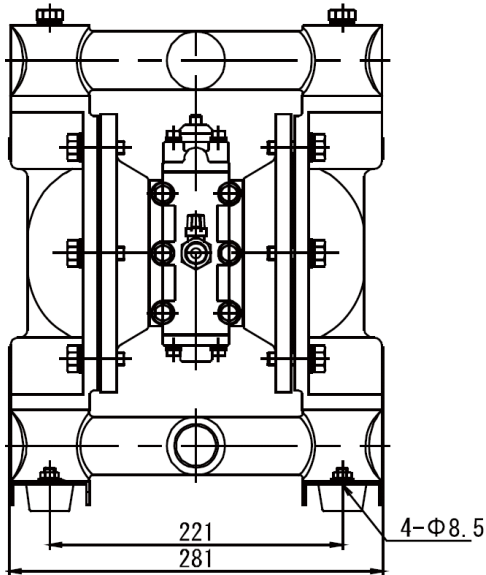
Model : NDP-25BS.

**Yamada** Europe B.V.



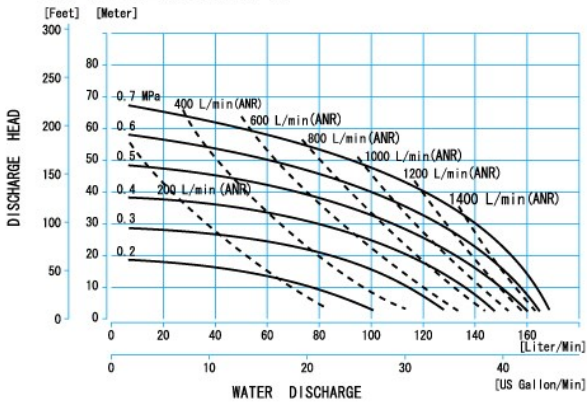
Material: Stainless steel 316 (SCS14)

Diaphragm options	CR, EPDM, NBR, FPM, TPEE, TPO	PTFE	TU
Max performance	160 L/min	150 L/min	150 L/min
Manifold connection	Rc 1"		
Transport box sizes	W32cm x D26cm x H42cm		
Net Weight	20,0 kg		

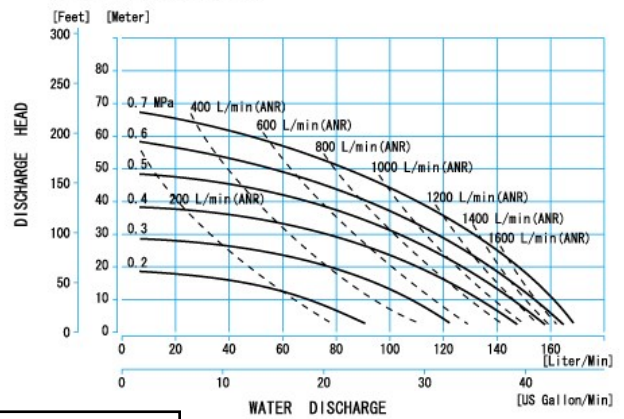


0,1MPa = 1Bar

NDP-25BA □, BS □, BF □



NDP-25BAT, BST, BFT



NDP-25BATU, BSTU, BFTU

