

Lubrication Equipment

CATALOG



Yamada Europe B.V.





ABOUT YAMADA

Yamada Corporation has been a leading producer of industrial equipment since 1905, and for pneumatic pumps for over 80 years. As a leader in pneumatic pumping technology, Yamada is known in many industries worldwide for its innovative products, superior quality and unmatched reliability. Yamada has an impressive history of delivering new products and solving customer problems which confirm Yamada's position as the industry leader.

Yamada's reputation for manufacturing top quality products, allied with continuing efforts in research and development have created a strong foundation for market leadership. As an ISO 9001 certified corporation, stringent quality procedures are followed throughout the manufacturing process, including liquid testing of every pump prior to shipping.

Yamada Corporation has its primary headquarters in Tokyo, Japan, with manufacturing based in Sagami-hara City. Assembly facilities are located in Chicago, Illinois, USA and Hengelo, The Netherlands; an office in Thailand; and Shanghai is covering the emerging markets of China. These offices are supportcenters for over 400 Yamada distributors worldwide.

Yamada Europe B.V., a wholly owned subsidiary of Yamada Corporation, was established in 1986 to provide sales and service and support for Europe, the Middle East and Africa, through a highly trained network of distributors.

Our professional staff provides:

- Customer service
- Product training
- Research & development
- Parts and service for all Yamada pumps
- Application engineering
- Industry knowledge

With a wide customer network, Yamada is in position to service the global market needs worldwide. Contact Yamada Europe for the closest distributor location.

We build our pumps with quality and innovation. This is the cornerstone of the Yamada design and manufacturing process.



TABLE OF CONTENT

About Yamada.....	2
Grease and oil pumps.....	4
Electric Drive Grease Lubricator.....	6
Air-Operated Grease Lubricators.....	8
Air-Operated Oil Transfer Pumps.....	10
Oil Transfer Siphon Pumps.....	12
Contact us.....	14

GREASE AND OIL PUMPS

Grease and oil pumps are essential Equipment's used to transport lubricants, such as motor oil or grease, to the moving parts of machinery. Their primary function is to reduce friction, prevent wear and corrosion, and dissipate heat by creating a protective lubricating film between components. Pumps can be operated manually, pneumatically, or electrically, and they are used in both central automatic lubrication systems and manual applications.

Grease pumps are vital for industrial maintenance, delivering lubricating grease under pressure to bearings, hinges, and other machinery components. They are particularly useful in dusty, wet, or high-load environments where oil is less effective, providing lasting protection and reducing wear. Our KPL-24 model (see page 6) ensures a consistent supply of grease for heavy-duty machinery, helping extend equipment life and minimise maintenance interruptions.

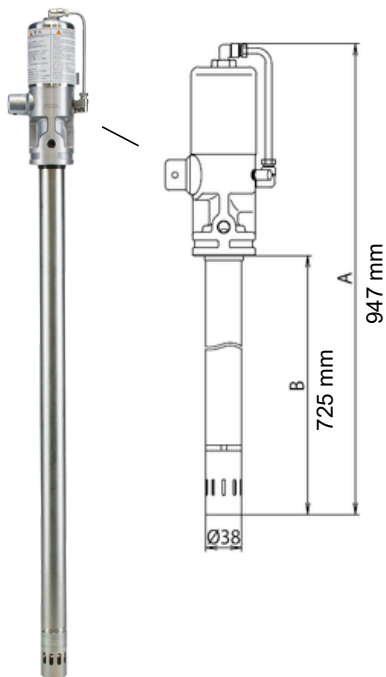
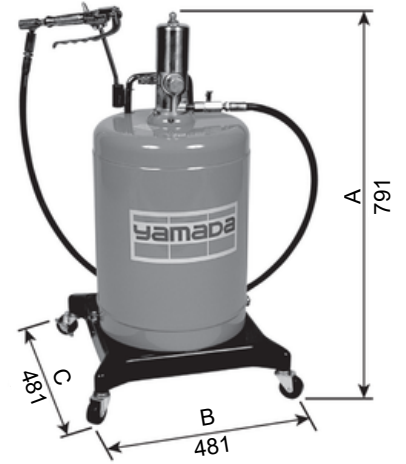
Oil pumps, on the other hand, are designed to move oil for lubrication or engine oil replacement. In internal combustion engines, they are critical components that deliver pressurised oil to moving parts, ensuring proper lubrication and cooling for optimal engine performance and longevity.

In this catalog, you will find our complete range of Lubrication Equipment with specifications, giving a clear overview of our lubrication solutions.

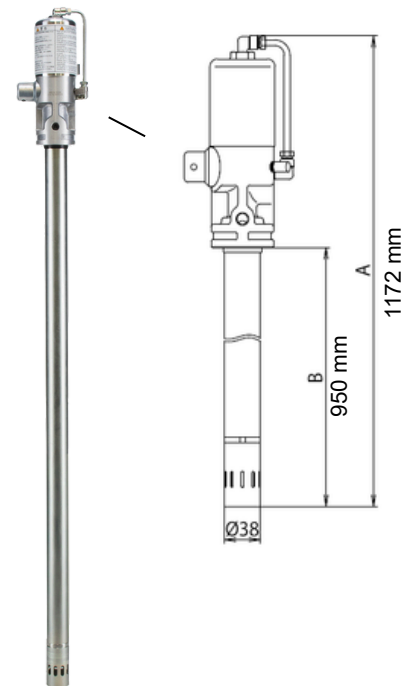
AIR-OPERATED GREASE LUBRICATORS

SKR-55, SKR-55P725, SKR-55P950 & SKR110A50PAL

SKR-55 - 880870
Net weight: 13.5 kg
Maximum Discharge Volume: 0,33 l/min

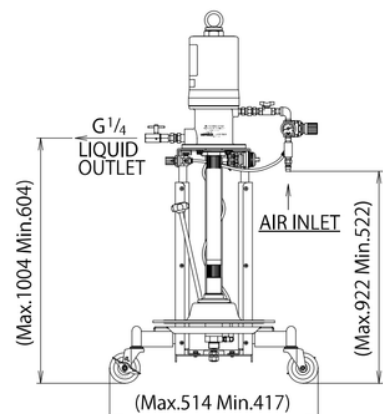


SKR-55P725 - 852500
Net weight: 4.7 kg
Maximum Discharge Volume: 0,33 l/min



SKR-55P950 - 852762
Net weight: 5.6 kg
Maximum Discharge Volume: 0,33 l/min

SKR110A50PAL - 881122
Net weight: 34 kg
Maximum Discharge Volume: 1,0 l/min



SKR-55, SKR-55P725, SKR-55P950 & SKR110A50PAL

These machines are portable grease lubricators that are essential for grease lubrication of machines and vehicles. They are not suitable for oil lubrication.

Key Information:

- Only grease of NLGI Grade 0 or lower should be used under normal operating conditions
- In extremely cold or low-temperature environments, the discharge volume may be significantly reduced
- Silicone-based greases are not compatible
- Materials other than grease (such as putty or adhesives) must not be used

Features and Applications

These machines are ideal for:

- Greasing products on production lines
- Lubricating vehicles, construction equipment, and machinery
- Maintaining various devices and facilities across all operational areas

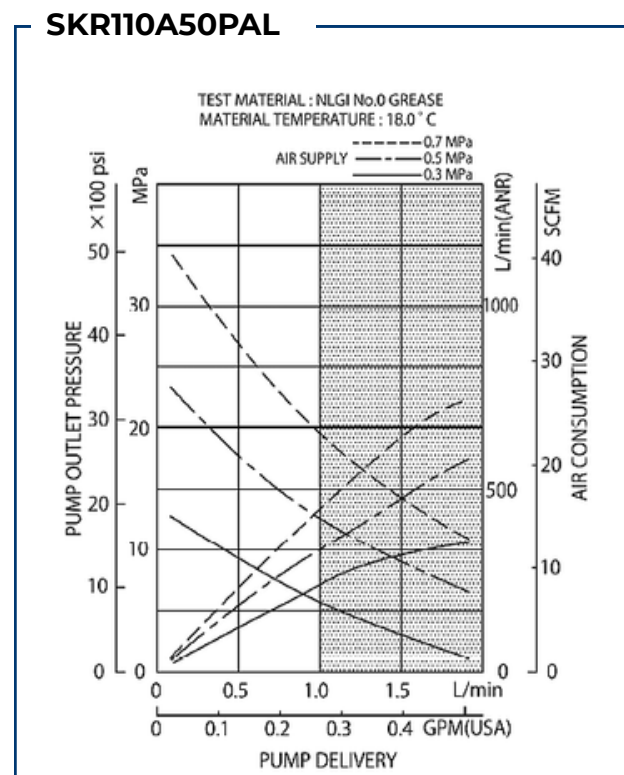
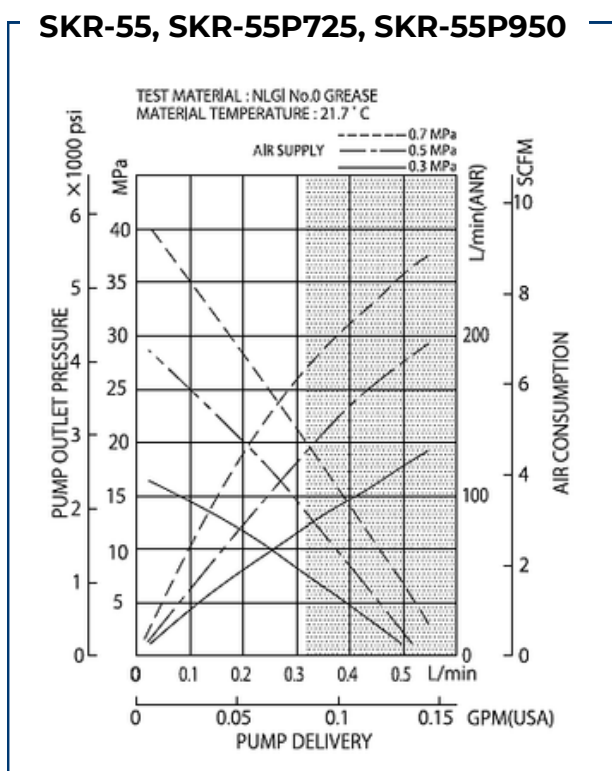
These lubricators are designed for versatility and reliability, making them suitable for industrial, construction, and production environments where portable, efficient grease delivery is required.

Specifications

Model No.	Model	Pump Ratio	Max Discharge Volume (L/min)	Dimensions (mm) (See drawings)
880870	SKR-55	55:1	0,33	A 791 / B 481 / C 481
852500	SKR-55P725	55:1	0,33	A 947 / B 725
852762	SKR-55P950	55:1	0,33	A 1172 / B 950
881122	SKR110A50PAL	50:1	1,0	See drawing (page 4)

Performance Curve

Continuous pump operation should be avoided if the desired delivery is in the range shaded in the figures below



ELECTRIC DRIVEN GREASE LUBRICATOR

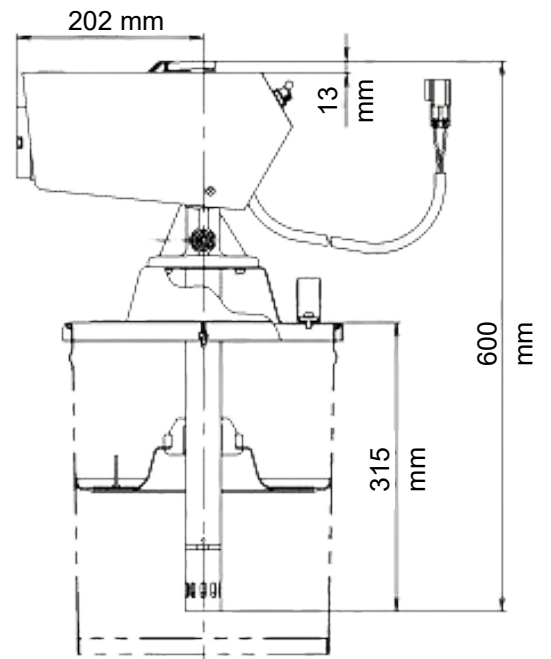
KPL-24



KPL-24 - 880639

Net weight: 12.0 kg

**Maximum Discharge Pressure:
24 MPa**



KPL-24

The KPL-24 is a high-performance, portable grease lubricator designed for use on excavators and in mining operations. It enables precise and reliable grease delivery for machines and vehicles under normal operating conditions.

Important notes:

- The KPL-24 is designed exclusively for grease lubrication and is not compatible with oil
- Suitable for NLGI Grade 2 grease or lower
- Performance may be affected in extremely cold or low-temperature environments, resulting in reduced discharge volume
- Silicone-based greases must not be used

Standard KPL-24 Package Includes:

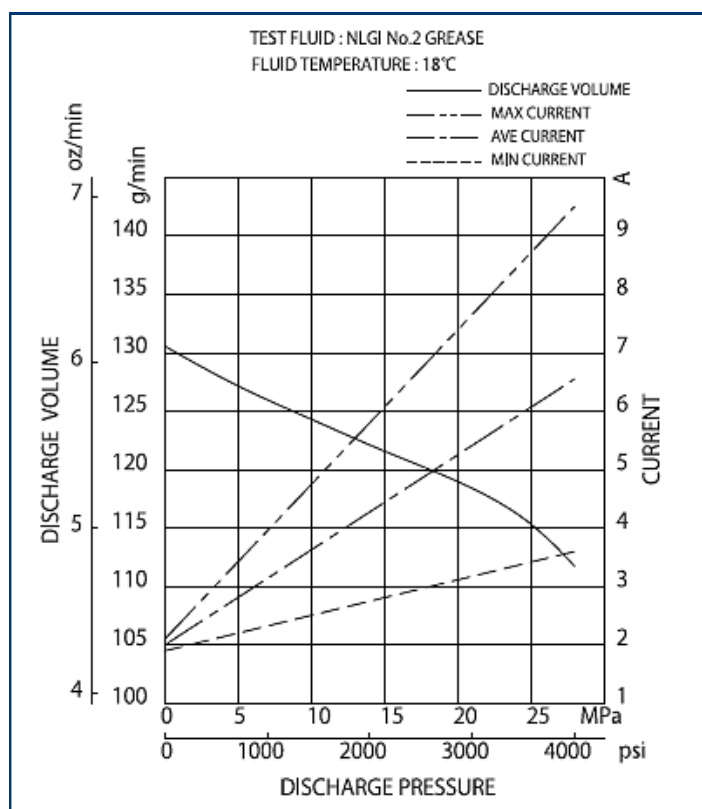
- 802704 Capture Assembly (2.5 m with connector)
- 852164 Grease Gun
- 685940 Union Adapter
- 804085 Follower Plate

The KPL Naked Version (881120) is available for applications requiring a more flexible setup. In this version, the grease gun, adapter, and follower plate are optional accessories and can be purchased separately.

Specifications

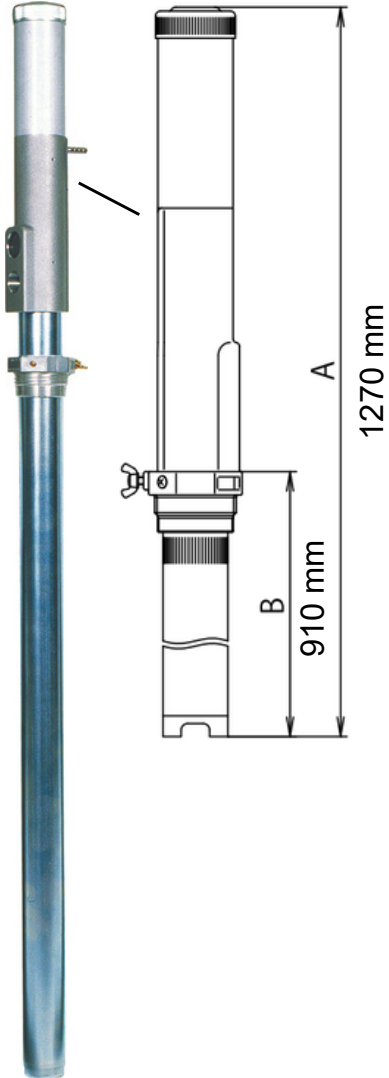
Model No.	Model	Power Source	Discharge Volume (g/min)	Max Discharge Pressure (MPa)	Rotating Speed (rpm)	Quake Resistance
880639	KPL-24	DC24V 90W 6.3A	135	24	95-108	4G

KPL-24 Performance Curve



AIR-OPERATED OIL TRANSFER PUMPS

DR-50A1 & DR-50A3



DR-50A1 - 852958

Net weight: 5,0 kg

Maximum Discharge Volume:

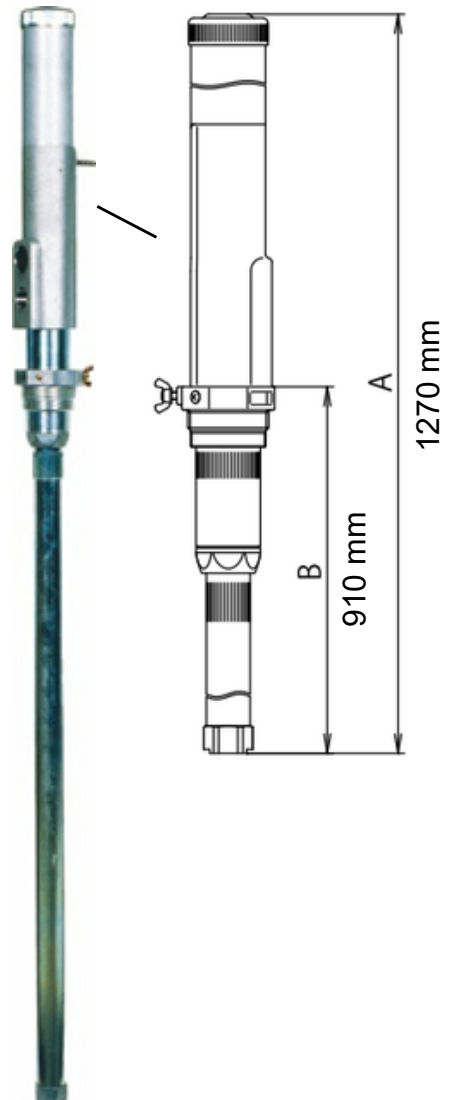
29.0 l/min

DR-50A3 - 852959

Net weight: 5,4 kg

Maximum Discharge Volume:

12.0 l/min



DR-50A1 & DR-50A3

The DR-50A1 and DR-50A3 are air-powered drum pumps for efficiently transferring, portioning, and pressure-feeding oil and compatible lubricants from 200 L drums or other containers. Powered by compressed air, both models provide self-priming operation and precise flow control.

Construction & Compatibility

- Liquid-contact parts: aluminum alloy
- Seals: NBR
- Do not use incompatible solvents

Key Features

- **DR-50A1:** Includes bung adapter; ideal for small portioning and supply to hoses; adjustable insertion depth
- **DR-50A3:** Includes bung adapter; compact design; suitable for low-viscosity fluids and connection to hose reels
- **Flow Control:** Oil is dispensed by lever operation; stops automatically when released
- **Easy Installation:** Insert into drum bung, secure with adapter, attach hose and control valve

Applications

- Pumping and portioning oil from drums
- Supplying oil to production lines, hoses, or equipment
- Maintenance of machinery and facilities

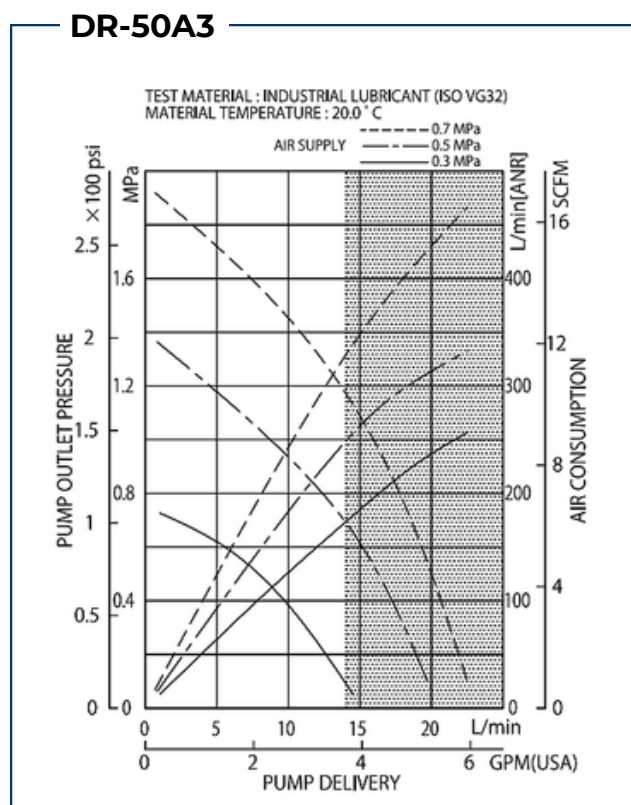
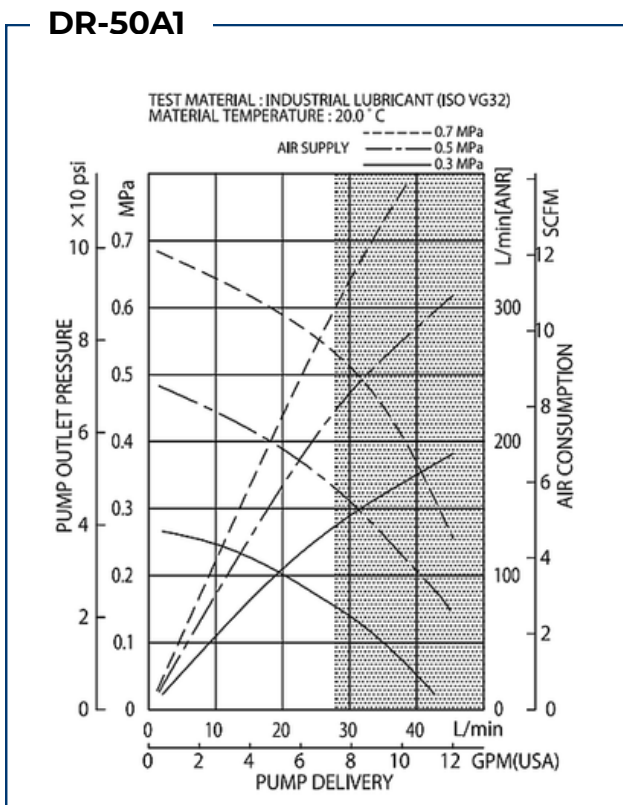
Reliable, efficient, and safe, the DR-50A1 and DR-50A3 are ideal for industrial, construction, and maintenance environments.

Specifications

Model No.	Model	Pump Ratio	Max Discharge Volume (L/min)	Max Air Consumption (NL/min)	Discharge Port
852958	DR-50A1	1:1	29.0	460	Rc3/4"
852959	DR-50A3	3:1	12.0	470	Rc3/4"

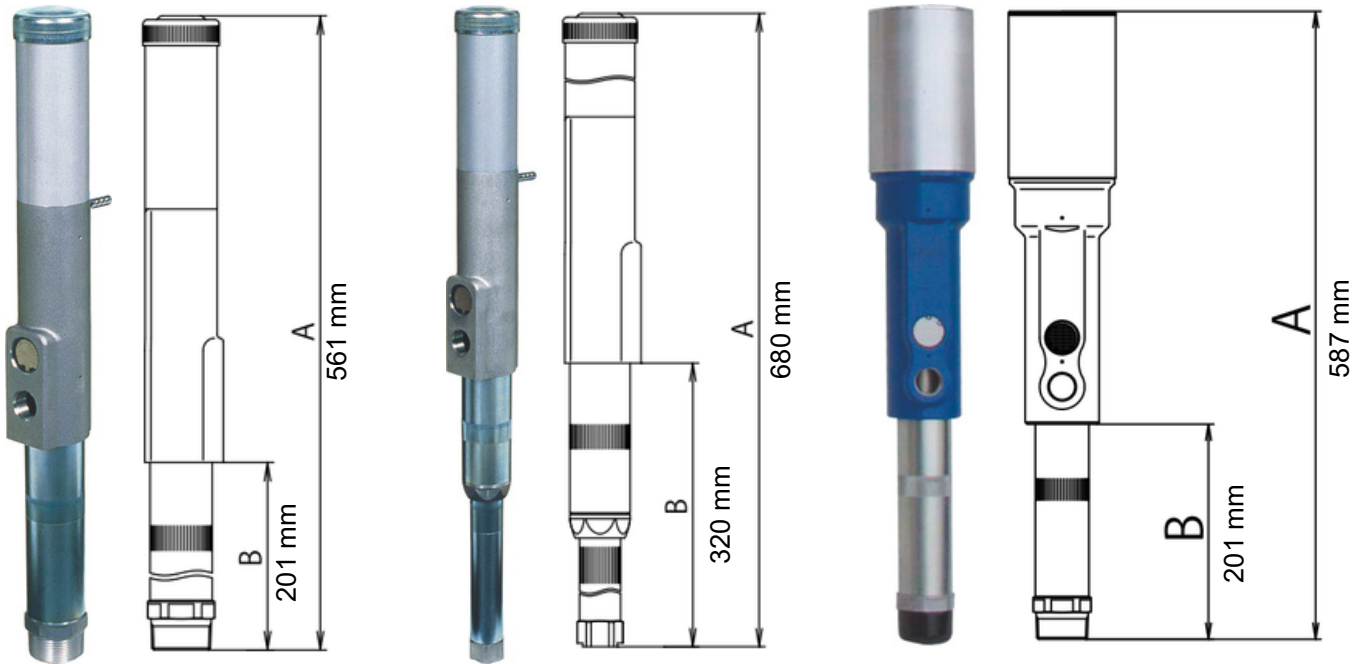
Performance Curve

Continuous pump operation should be avoided if the desired delivery is in the range shaded in the figures below



OIL TRANSFER SIPHON PUMPS

SH-50A1, SH-50A3 & SH-90A3



SH-50A1 - 852960

Net weight: 2.6 kg

Maximum Discharge Volume:
29.0 l/min

SH-50A3 - 852961

Net weight: 3.3 kg

Maximum Discharge Volume:
12.0 l/min

SH-90A3 - 880967

Net weight: 4.5 kg

Maximum Discharge Volume:
22.0 l/min

SH-50A1, SH-50A3 & SH-90A3

The SH-50A1, SH-50A3, and SH-90A3 are air-powered siphon pumps designed for efficient transfer, portioning, and pressure-feeding of oil and compatible lubricants from containers of various sizes. Driven by compressed air, these pumps provide self-priming operation with precise flow control, making them ideal for maintenance and production applications.

Construction & Compatibility

- Liquid-contact components: aluminum alloy
- Seals: NBR
- Do not use solvents incompatible with these materials

Key Features

- Flexible installation: Can be fixed to a container, stand, or wall for easy access and improved work efficiency
- Compact and low-maintenance: **SH-50A3** and **SH-90A3** are particularly suitable for low-viscosity fluids
- Easy to operate: Connect the suction hose, secure the pump with the adapter, attach the outlet hose, and operate via the control valve lever
- Flow control & portioning: Oil is dispensed by lever operation and stops automatically when released; precise amounts can be delivered on demand
- Adaptable for extended reach: Hose reels or piping with relief valves can be used for longer-distance transfer

Applications

- Transferring oil or lubricants from containers
- Supplying oil to production lines, hose reels, or machinery
- Maintenance of equipment and facilities requiring accurate lubricant delivery

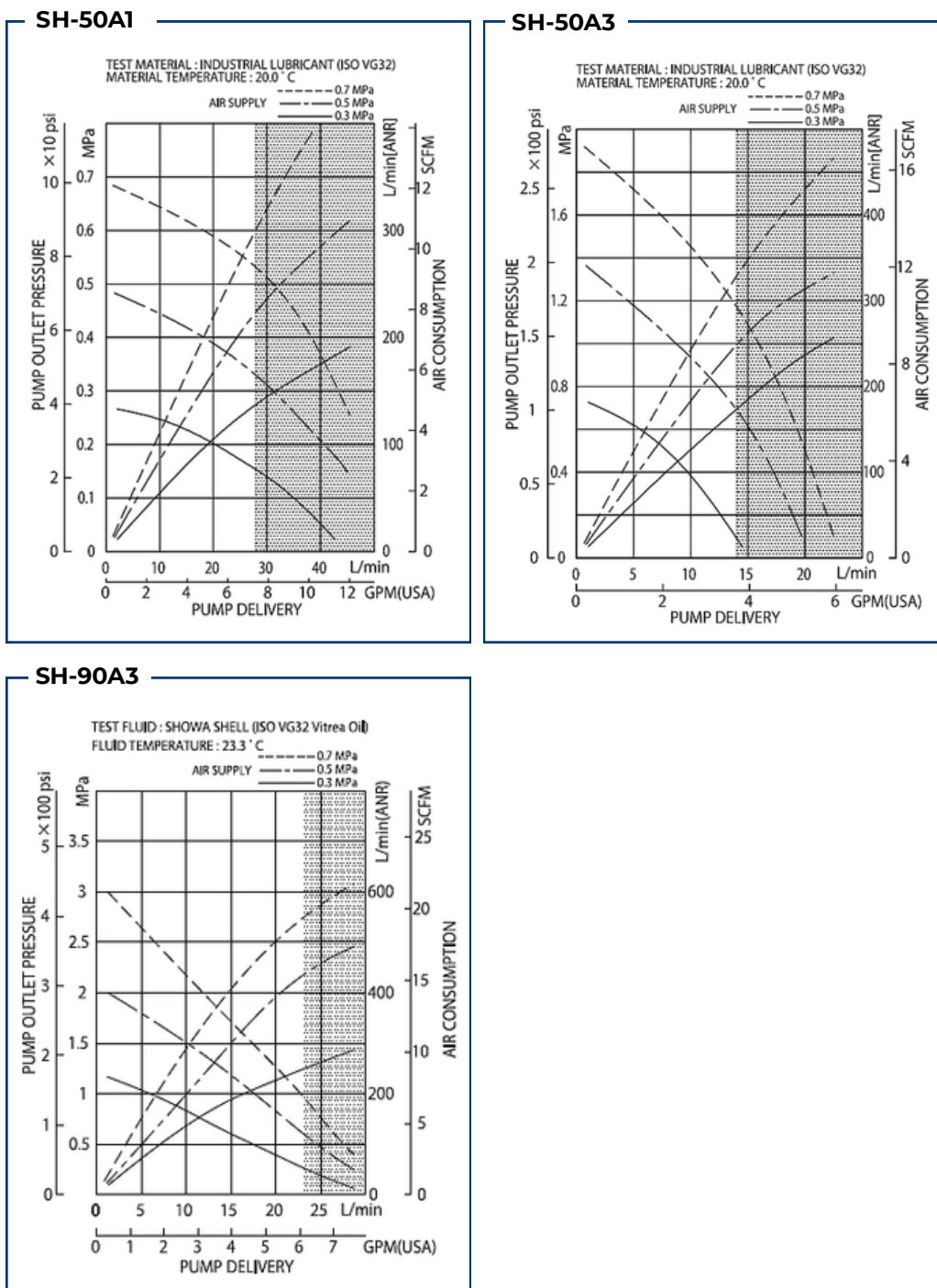
The SH-50A1, SH-50A3, and SH-90A3 provide efficient, reliable, and flexible lubrication solutions for industrial, construction, and maintenance environments.

Specifications

Model No.	Model	Pump Ratio	Max Discharge Volume (L/min)	Max Air Consumption (NL/min)	Discharge Port
852960	SH-50A1	1:1	29.0	460	Rc3/4"
852961	SH-50A3	3:1	12.0	470	Rc3/4"
880967	SH-90A3	3:1	22.0	550	Rc3/4"

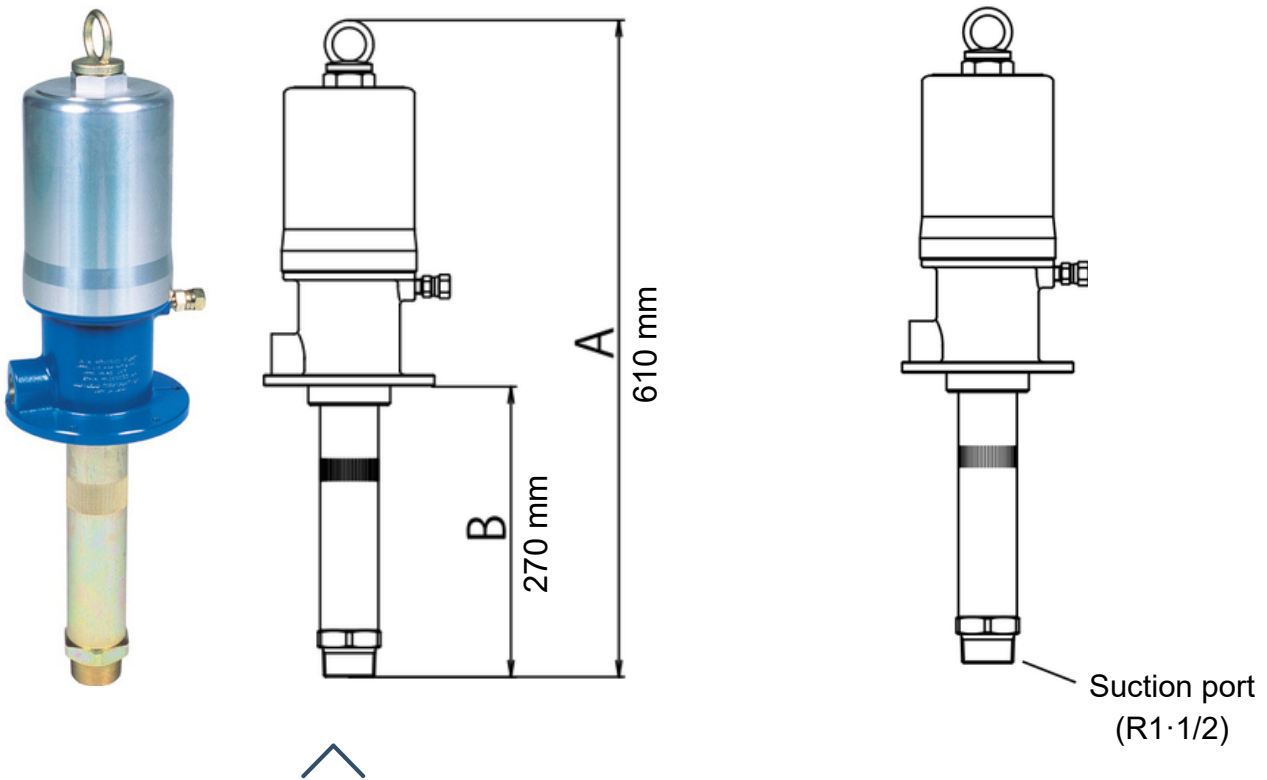
Performance Curve

Continuous pump operation should be avoided if the desired delivery is in the range shaded in the figures below



OIL TRANSFER SIPHON PUMPS

SH-110A5



SH-110A5 - 851753

Net weight: 8.3 kg

Maximum Discharge Volume:

12 l/min

SH-110A5

The SH-110A3 is an air-powered siphon pump designed for handling oils that are liquid at normal temperatures with a flash point of 200°C or higher. This pump allows pressure feeding, transfer, portioning, and fixed-quantity injection of oil from containers of various sizes. It can be installed on a container, stand, or wall for flexible operation.

Construction & Compatibility

- Suitable for low-viscosity oils
- Compact design with few components for easy maintenance
- Do not use incompatible materials

Key Features

- Flexible installation: Fix to a container, stand, or wall for hands-free operation
- Easy operation: Connect the suction hose, secure the pump, attach the outlet hose, and control oil flow via the lever
- Precise flow control: Oil is dispensed only when the lever is pulled; stops automatically when released
- Adaptable for extended reach: Hose reels or piping with a relief valve can be used for longer-distance transfer

Applications

- Transferring and portioning oil from drums or other containers
- Supplying oil to production lines, hose reels, or machinery
- Maintenance and lubrication of equipment requiring accurate oil delivery

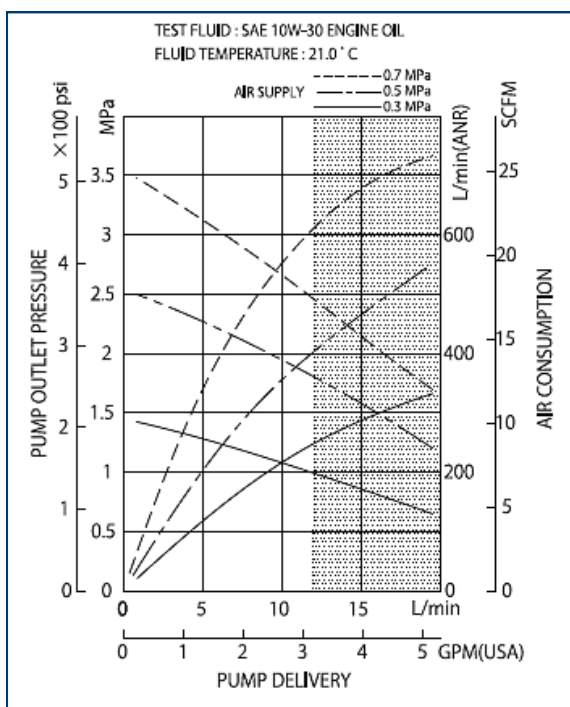
The SH-110A3 provides a reliable, efficient, and flexible solution for industrial, production, and maintenance environments.

Specifications

Model No.	Model	Pump Ratio	Max Discharge Volume (L/min)	Discharge Port	Suction Port
851753	SH-110A5	5:1	12	Rc3/4"	1-1/2"

SH-110A5 Performance Curve

Continuous pump operation should be avoided if the desired delivery is in the range shaded in the figures below



CONTACT US



+31 (0)74-242 2032



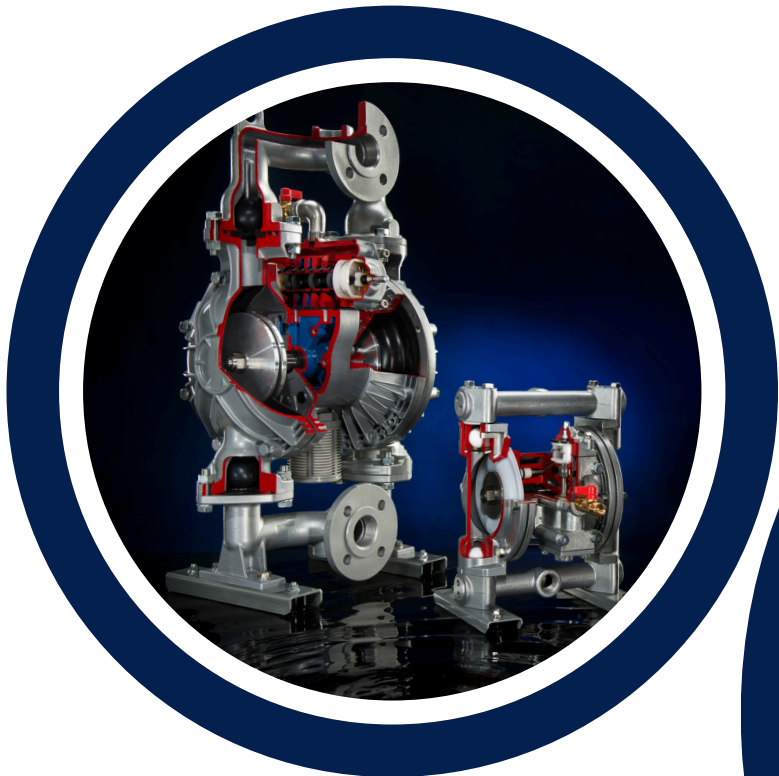
sales@yamada.nl



Aquamarijnstraat 50 · 7554 NS Hengelo (OV)
The Netherlands



www.yamada-europe.com



Your Local Distributor/Sales & Service Centre:



**CAUTION WHEN
SELECTING A PUMP**

Yamada offers a large range of Air Operated Pumps to cater for many different kinds of materials and conditions. When selecting the most appropriate pump for a particular selection and installation please consult your local Yamada Pump Distributor or Yamada Corporation.

yamada Europe B.V.

